

ARTS-WAY

2830 BEET HARVESTER

PARTS MANUAL

ARTS-WAY MANUFACTURING CO., INC.
ARMSTRONG, IOWA 50514
(712) 864-3131

252280

689

WORK SAFELY - FOLLOW THESE RULES

A CAREFUL OPERATOR IS THE BEST INSURANCE AGAINST AN ACCIDENT

CAUTION! Before handling ANY equipment, READ the OPERATOR'S MANUAL.

Always use proper safety precautions. Tell your workers how to work safely.

BEFORE OPERATING

Do not wear loose fitting clothing; it may catch in moving parts.

Make sure that all safety shields, including the tractor power take-off master shield, are in place and properly secured before operating the machine.

Be sure that the correct implement drive line parts are used and that they are properly secured.

After servicing, be sure that all tools, parts or servicing equipment are removed from the machine.

Make sure that there is no one near the machine before starting it.

Be sure the tractor power take-off is disengaged before starting the tractor engine.

Make sure the unit is adequately blocked before working on it.

DURING OPERATION

Shut off the tractor engine, put key in pocket, and be sure to wait until all rotation has come to a complete stop before opening any covers, adjusting, cleaning, or lubricating.

No riders while machine is in operation, do not attempt to unclog, clean, or adjust machine while it is running.

Keep all shields and guards in place.

Keep hands, feet and clothing away from moving parts.

Keep children and bystanders away from the machine while in operation.

Hydraulic fluid escaping under pressure can have enough force to penetrate the skin. Hydraulic fluid may also infect a minor cut or opening in the skin. If injured by escaping fluid, see a doctor at once. Serious infection or reaction can result if medical treatment is not given immediately. Make sure all connections are tight and that hoses and lines are in good condition before applying pressure to the system. Relieve all pressure before disconnecting the lines or performing other work on the hydraulic system. To find a leak under pressure use a small piece of cardboard or wood: Never use hands.

TRANSPORTING

Always use the safety chain and secure safely.

Tow at a maximum of 10 M.P.H. over rough roads and when going down inclines.

Maximum towing speed - 20 M.P.H.

The weight of the trailed machine should NEVER exceed the weight of the towing vehicle.

Always use SMV (slow moving vehicle) emblem.

For daytime and nighttime, accessory light and devices should be used for adequate warning to operators of other vehicles.

Comply with your state and local laws governing highway safety, and with regulations when moving machinery on a highway.

Check clearances carefully wherever machine is towed.

TO THE OWNER

This Art's-Way unit is another one of the fine products made and the purpose of this manual is to assist you in realizing the benefits you anticipated when you purchased this unit. Many people have contributed to the production of this product. They all have an interest in its successful performance and we are providing this manual to give you the benefit of the experience we have gained through years of building and testing this equipment. The way you operate and the care you give this unit will have much to do with the successful performance of this unit. This operators manual has been carefully prepared and illustrated to make it as easy as possible for you in the operation of your unit. It will pay you to read the entire manual carefully and familiarize yourself with all operations "before operating" this unit. Keep this manual handy for reference. We will be glad to answer any questions you may have. For further information call or write Art's-Way Manufacturing Co., Inc. (712) 864-3131, Armstrong, IA 50514.

LIMITED WARRANTY

The **ART'S-WAY MANUFACTURING CO., INC.** warrants products sold by it to be free from defects in material and workmanship for a period of one(1) **YEAR** after the date of delivery to the first purchaser subject to the following conditions:

(1) **ART'S-WAY MANUFACTURING CO., INC.'S** obligation and liability under this warranty is to repair or replace at the company's option, any parts which upon manufacture were defective in material or workmanship.

(2) All parts and repairs under this warranty shall be supplied at an authorized **ART'S-WAY MANUFACTURING CO., INC.** dealer or at the factory at the option of **ART'S-WAY MANUFACTURING CO., INC.**

(3) **ART'S-WAY MANUFACTURING CO., INC.'S** warranty does not extend to parts and elements not manufactured by **ART'S-WAY MANUFACTURING CO., INC.** and which carry the warranty of the other manufacturer.

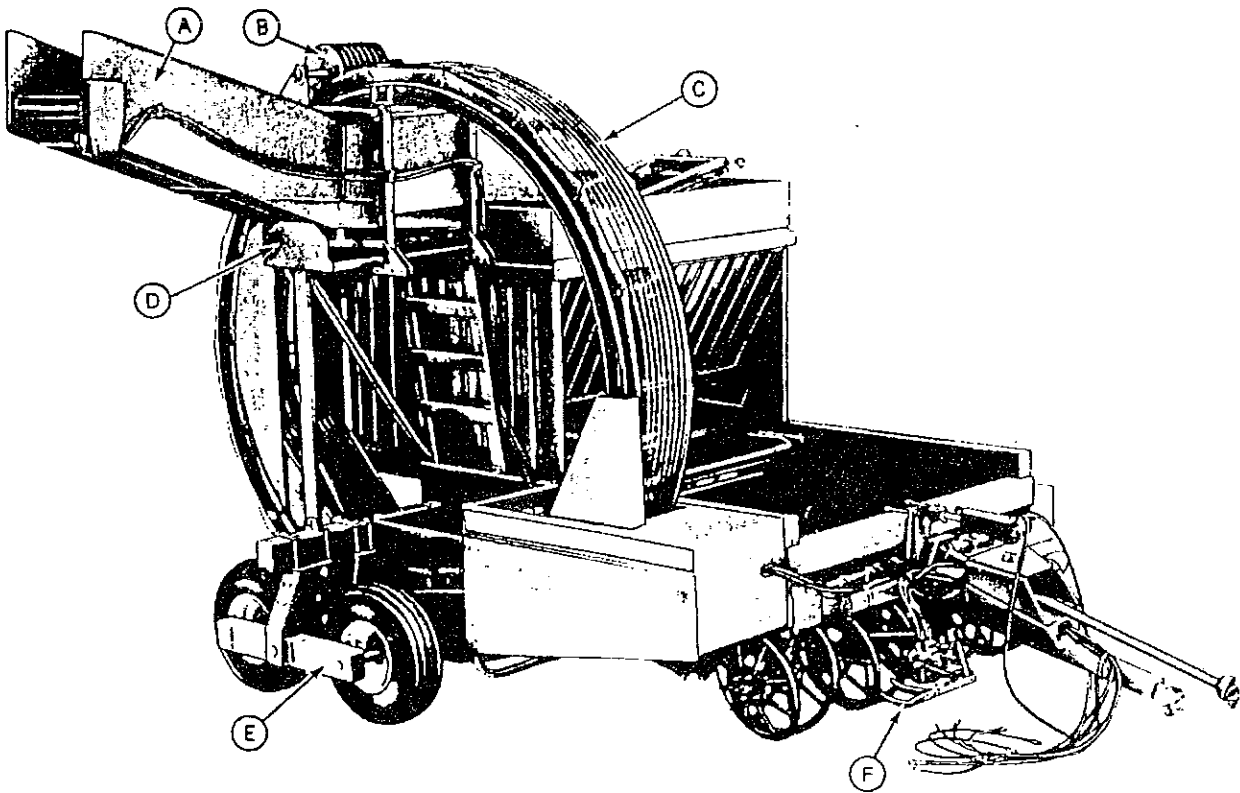
(4) Transportation or shipping to an authorized dealer for necessary repairs is at the expense of the purchaser.

(5) **ART'S-WAY MANUFACTURING CO., INC. MAKES NO OTHER WARRANTY OR IMPLIED AND MAKES NO WARRANTY OF MERCHANTABILITY OR FITNESS FOR ANY PARTICULAR PURPOSE BEYOND THAT EXPRESSLY STATED IN THIS WARRANTY. ART'S-WAY MANUFACTURING CO., INC.'S LIABILITY IS LIMITED TO THE TERMS SET FORTH IN THIS WARRANTY AND DOES NOT INCLUDE ANY LIABILITY FOR DIRECT, INDIRECT, INCIDENTAL OR CONSEQUENTIAL DAMAGES OR EXPENSE OF DELAY AND THE COMPANY'S LIABILITY IS LIMITED TO REPAIR OR REPLACEMENT OF DEFECTIVE PARTS AS SET FORTH HEREIN IN THE WARRANTY.**

(6) Any improper use, including operation after discovery of defective or worn parts, operation beyond rated capacity, substitution or parts not approved by **ART'S-WAY MANUFACTURING CO., INC.**, or any alteration or repair by other than an authorized **ART'S-WAY MANUFACTURING CO., INC.** dealer which affects the product materially and adversely, shall void this warranty.

(7) No dealer, employee or representative is authorized to change this warranty in any way or grant any other warranty unless such change is made in writing and signed by an officer of **ART'S-WAY MANUFACTURING CO., INC.** at its home office.

(8) Some states do not allow limitations on how long an implied warranty lasts or exclusions of or limitations on relief such as incidental or consequential damages so the above limitations or exclusions may not apply to you. This warranty gives you specific legal rights and you may have other rights which vary from state to state.

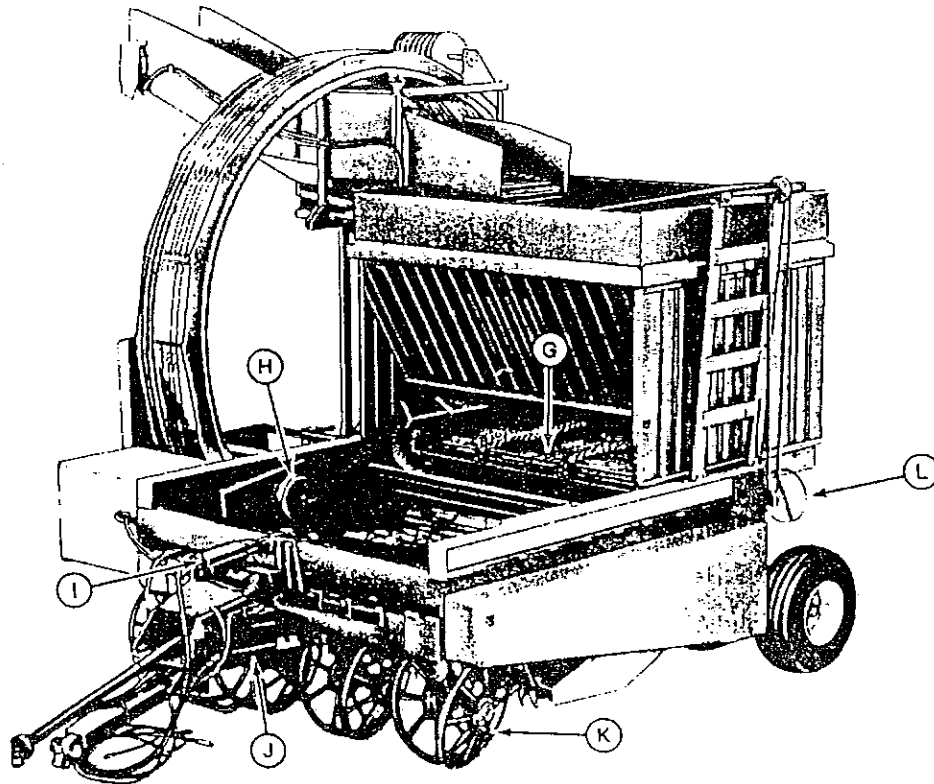


N30999

A - Truck or Tank Conveyor
B - Stripper

C - Rotary Conveyor
D - Height Extension Attachment

E - Tandem Wheels
F - Row Finder



N31000

G - Unloading Conveyor
H - Electromagnetic Clutch

I - Lift Cylinder
J - Angling Cylinder

K - Digger Wheel
L - Hand Wheel

Table of Contents

TO THE OWNER	1	TOP WHEEL CONVEYOR RETAINER	42
ACCIDENTS can be prevented	4	TRUCK CONVEYOR FRAME	
HITCH ASSY - JAN142686	5	AND SHIELDS	43
UNIVERSAL JOINT - JAN141343	6		
TONGUE SUPPORT ASSY - JAN142688	7	TRUCK CONVEYOR, CHAIN LINKS	
MAIN FRAME - JAN142536	8	SPROCKET AND BEARINGS	44
REAR WHEEL SUPPORT	9	TRUCK CONVEYOR, CHAIN LINKS,	
L.H. WHEEL MOUNTING	9	SPROCKET AND BEARINGS	45
REAR WHEEL HUB, WHEEL & SPINDLE	10	STRIPPER AND MOUNTING	46
TANDEM WHEEL MOUNTING	11	ELECTROMAGNETIC CLUTCH AND	
TANDEM WHEEL HUB AND BEAM	12	BRACKET	47
FILLER PLATE DEFLECTOR	13	TANK SUPPORT	48
PEDESTAL AND DIGGING WHEELS	14	TANK DRIVE CHAIN AND SPROCKET	49
PEDESTAL AND DIGGING WHEELS	15	TANK CHAIN BED	50
ROW FINDER	16	TANK PANELS AND BRACES	51
ROW FINDER	17	TANK EXTENSION	52
R.H. MAIN DRIVE SHAFT,	18	RIGHT HAND SIDE SHIELD	53
SLIP CLUTCH & SPROCKETS	18	LEFT HAND SIDE SHIELDS-FOUR ROW	54
MAIN GEAR CASE - JAN141113	19	PADDLE SHAFT RUBBER CURTAIN	
LEFT HAND FRONT DRIVE SHAFT	20	AND SHIELD	55
NOTES	21	HYDRAULIC MOTOR AND HOSES	56
FRONT PADDLE SHAFT	22	HYDRAULIC MOTOR CASE	
FRONT PADDLE SHAFT	23	DRAIN - JAN142254	57
R. H. COUNTERSHAFT DRIVE	24	HYDRAULIC HOSE FOR ROW-FINDER	58
R.H. COUNTERSHAFT DRIVE	25	ROW FINDER VALVE REPAIR KIT	59
L. H. CHAIN DRIVE, IDLERS,		HYDRAULIC OIL RESERVOIR	
BRACKETS & GUIDES	26	AND MOUNTING	60
L.H. CHAIN DRIVE,IDLERS,		HYDRAULIC PUMP REPAIR KIT	61
BRACKETS & GUIDES	27	HYDRAULIC PUMP AND MOUNTING	62
PRIMARY CONVEYOR CHAIN	28	SOLENOID VALVE - JAN142195	63
STAR WHEEL SHAFT NO.1 AND NO.3		HYDRAULIC COOLER AND FAN	64
#1 - JAN141132 #3 - JAN142656	29	HEIGHT EXTENSION,	
STAR WHEEL SHAFT NO.2 AND NO.4		TRUCK CONVEYOR	65
#2 - JAN141133 #4 - JAN141135	30	ELECTRICAL REMOTE CONTROL	66
STAR WHEEL SHAFT NO. 5 - JAN14171	31	ELECTRICAL REMOTE CONTROL	67
STAR WHEEL BED DRIVE AND SHIELD	32	WARNING LIGHT KIT - JTY15263	68
NOTES	33	WIRING HARNESS	69
GRAB ROLLS AND BRACKETS	34	DIVERSION ROLL - RIGHT HAND	70
GRAB ROLLS AND BRACKETS	35	DRIVES, DIVERSION ROLL -	
R.H. GRAB ROLL BRACKET AND		RIGHT HAND	71
ROTARY CONVEYOR SUPPORT	36	SHIELDS, DIVERSION ROLL -	
SPRING LOADED IDLER - JBN140197	37	RIGHT HAND	72
CONVEYOR WHEEL RETAINER	38	DRAWBAR SUPPORT	73
CONVEYOR WHEEL RETAINER	39	DECALS AND PAINT	74
CONVEYOR WHEEL	40		
TRUCK CONVEYOR TRACK			
AND SUPPORTS	41		

ACCIDENTS can be prevented

A large number of accidents can be prevented by the operator anticipating the result before it happens and doing something about it. No power-driven equipment can be safer than the man at the controls.

The manufacturer is striving to make the equipment safe, but one careless act by the operator can void all such efforts.

The best kind of a safety device is a careful operator. **BE THAT KIND OF AN OPERATOR**, as no accident-prevention program can be a success without the co-operation of the operator of the equipment.

INFORMATION FOR ORDERING PARTS

OWNERS NAME _____

ADDRESS _____

DEALERS NAME _____

ADDRESS _____

SERIAL NUMBER _____

DATE PURCHASED _____

A Careful Operator

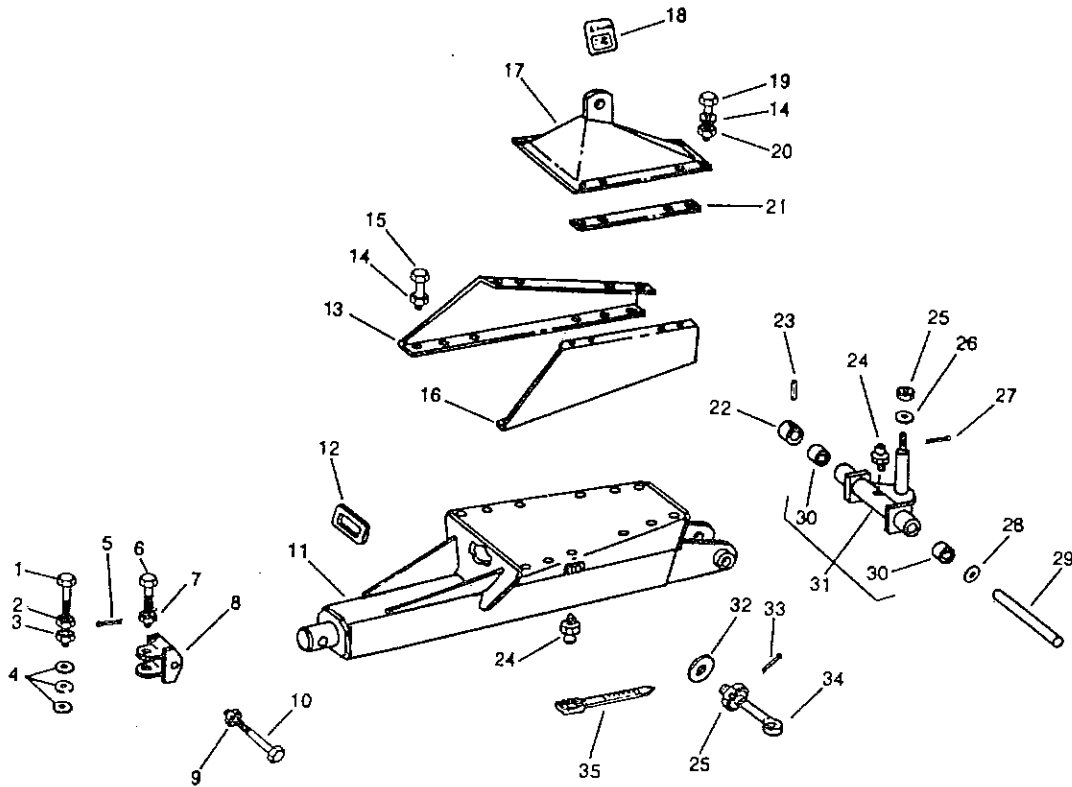
IS THE BEST INSURANCE

AGAINST AN ACCIDENT

National Safety Council

Art's-Way reserves the right to make changes or add improvements to its products at any time without incurring any obligation to make such changes to products manufactured previously. Art's-Way, or its dealers, accept no responsibility for variations which may be evident in the actual specifications of its products and the statements and descriptions contained in this publication.

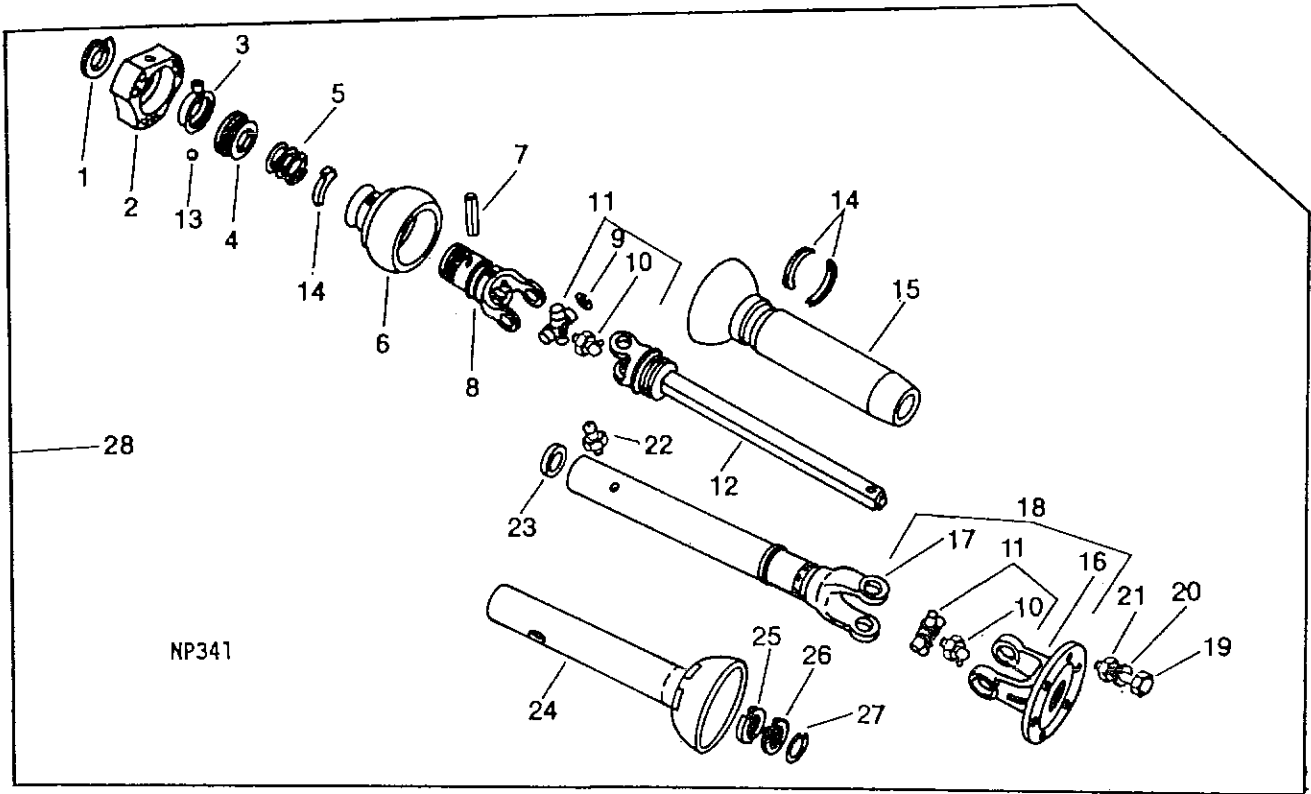
HITCH ASSY - JAN142686



NP1182

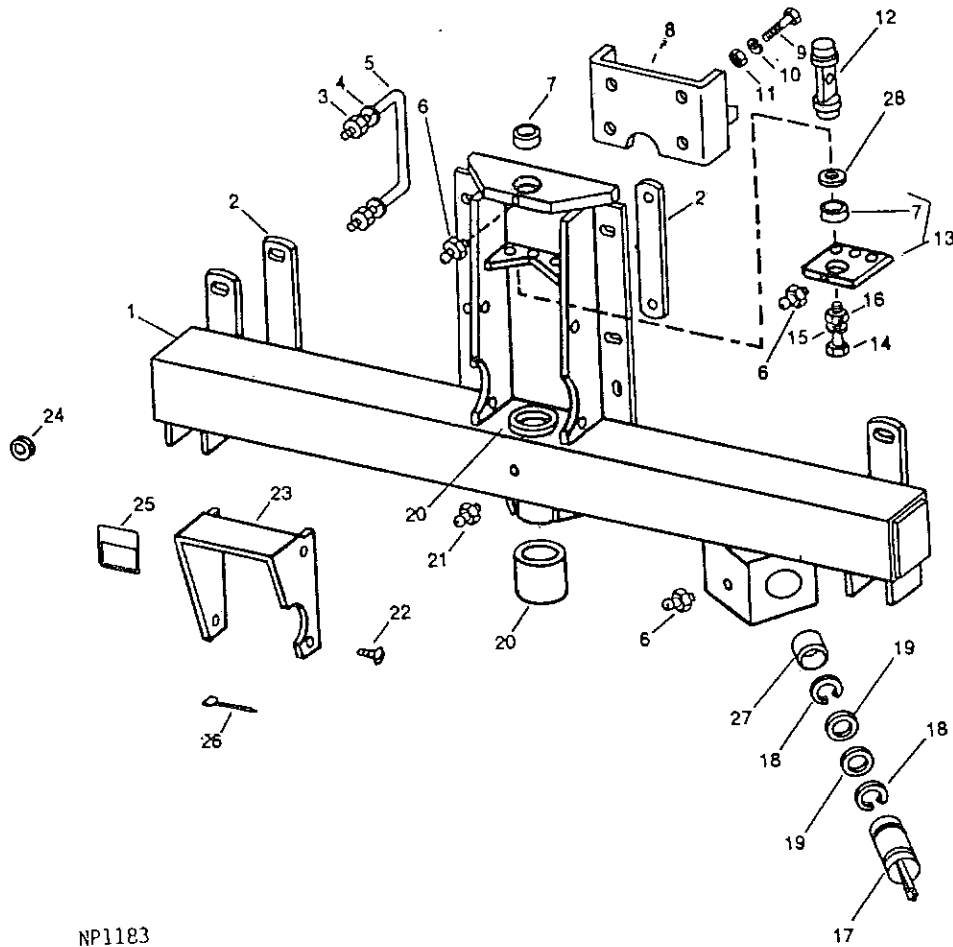
ITEM	PART NUMBER	QTY	DESCRIPTION
1	J08H4078	-	BOLT, HHCS 1-1/4" x 6"
2	J14H824	-	NUT, HEX 1-1/4"
3	J14H873	-	NUT, HEX JAM 1-1/4"
4	JN137548	-	WASHER, FLAT 1-3/8" x 2-3/4" x 1/4"
5	124340	-	PIN, COTTER 3/16" x 1-1/2"
6	JM17429	-	BOLT, HINGE 1-1/8" x 5"
7	J14H915	-	NUT, HEX SLOTTED 1-1/8"
8	JAN141437	1	DRAWBAR (1-3/8" HITCH)
	JAN142510	1	CLEVIS (1-3/4" HITCH)
9	JK40018	-	NUT, LOCK 1"
10	J08H4722	-	BOLT, HHCS 1" x 6-1/2"
11	JAN142707	1	TONGUE ASSY
12	JR20759	2	GROMMET
13	JN142995	1	HITCH PLATE, R.H.
14	005370	-	WASHER, LOCK 1/2"
15	J19H2898	-	SCREW, 1/2" x 1-1/4"
16	JN142996	1	HITCH PLATE, L.H.
17	JAN142590	1	ANCHOR, ASSY
18	JJD5255	2	DECAL, CAUTION
19	1770500	-	BOLT, HHCS 1/2" x 1-3/4"
20	005360	-	NUT, HEX 1/2"
21	JN144906	2	STRAP, HITCH PIVOT
22	JN144771	1	COLLAR, LOCKING
23	047260	-	PIN, SPRING 3/8" x 1-3/4"
24	049180	-	FITTING, LUBRICATION 1/4-28
25	042110	-	NUT, HEX SLOTTED 1"
26	990720	-	WASHER, FLAT 1-1/16" x 2-1/2" x .164"
27	J11H292	-	PIN, COTTER 1/4" x 2-1/4"
28	I608700R1	-	WASHER, FLAT 1-9/32" x 2" x .060"
29	JN144776	1	PIN, HITCH
30	JM61795	2	BUSHING, 1-1/4" x 1-15/16"
31	JAN141782	1	PIVOT ASSY, HITCH
32	I591715R1	-	WASHER, FLAT 1-1/32" x 1-1/2" x .120"
33	003950	-	PIN, COTTER 3/16" x 2"
34	JN147010	1	PIVOT, CYLINDER ANCHOR
35	JN189220	-	TIE BAND

UNIVERSAL JOINT - JAN141343



ITEM	PART NUMBER	QTY	DESCRIPTION
1	010380	1	SNAP RING
2	JE52198	1	SHIELD, PTO POWER GUARD
3	JAE30920	1	LATCH, PUSH BUTTON
4	JE52199	1	RETAINER, PUSH BUTTON
5	JE61946	1	SPRING, COMPRESSION
6	JAE30925	1	SHIELD, PTO POWER GUARD
7	013600	-	PIN, SPRING 1/4" x 2"
8	JE52215	1	YOKE, UNIVERSAL JOINT
9			
10			
11	I480613R91	2	BEARING ASSY, CROSS
12	JAN141180	1	YOKE, W/SHAFT
13	JE51019	3	BALL
14	JW16923	6	BEARING, UNIVERSAL JOINT
15	JAN141616	1	SHIELD, POWERSHAFT FRONT
16	JAC11179	1	YOKE
17	JAN141181	1	YOKE, W/TUBE
18			
19	032020	-	BOLT, HHCS 7/16" x 1-1/4"
20	023990	-	WASHER, LOCK 7/16"
21	I271501	-	NUT, HEX 7/16"
22	I102467H	-	FITTING, LUBRICATION 1/4-28
23	JE38180	1	BEARING, SHIELD SUPPORT
24	JAN141178	1	SHIELD, POWERSHAFT REAR
25	048530	1	BEARING, NYLON
26	JE38182	-	WASHER, THRUST 2-7/16" x 2-25/32" x .060"
27	I613436R1	2	SNAP RING
28	JAN141343	1	U-JOINT, W/SHAFT SHIELD

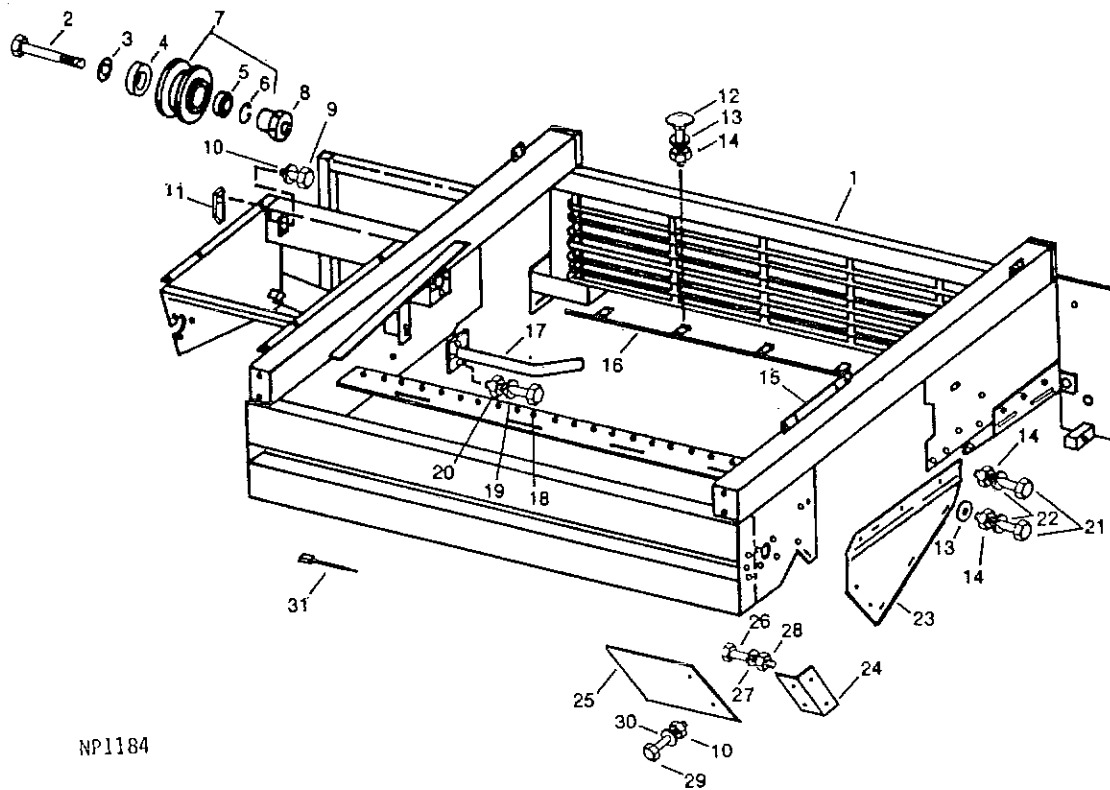
TONGUE SUPPORT ASSY - JAN142688



NP1183

ITEM	PART NUMBER	QTY	DESCRIPTION
1	JAN142545	1	SUPPORT ASSY, TONGUE
2	JN146962	1	STRAP
3	003460	-	WASHER, LOCK 7/8"
4	E552017	-	NUT, HEX 7/8"
5	JN146992	-	U-BOLT
6	049180	-	FITTING, LUBRICATION 1/4-28
7	JN100256	1	BUSHING
8	JAN142547	1	BRACKET
9	990980	-	BOLT, HHCS 3/4" x 7-1/2"
10	036800	-	WASHER, LOCK 3/4"
11	J14H794	-	NUT, HEX 3/4"
12	JAN141853	1	PIVOT
13	JAN141852	1	PLATE
14	013790	-	BOLT, HHCS 1/2" x 2-1/4"
15	005370	-	WASHER, LOCK 1/2"
16	005360	-	NUT, HEX 1/2"
17	JN146732	1	ANCHOR
18	JT24514	1	RING
19	JN141027	-	WASHER
20	JM565M	1	BUSHING
21	JJD7819	-	FITTING, LUBRICATION 1/4-28
22	J37H51	-	SCREW, 1/4" x 1/2"
23	JAN141192	1	SHIELD
24	I131018	1	WASHER, FLAT 15/16" x 1-3/4" x .134"
25	JJD5111	1	DECAL, CAUTION
26	JN189220	-	TIE BAND
27	JH75778	1	BUSHING
28	J24H1577	-	WASHER, FLAT 1-25/32" x 2-7/8" x .036"

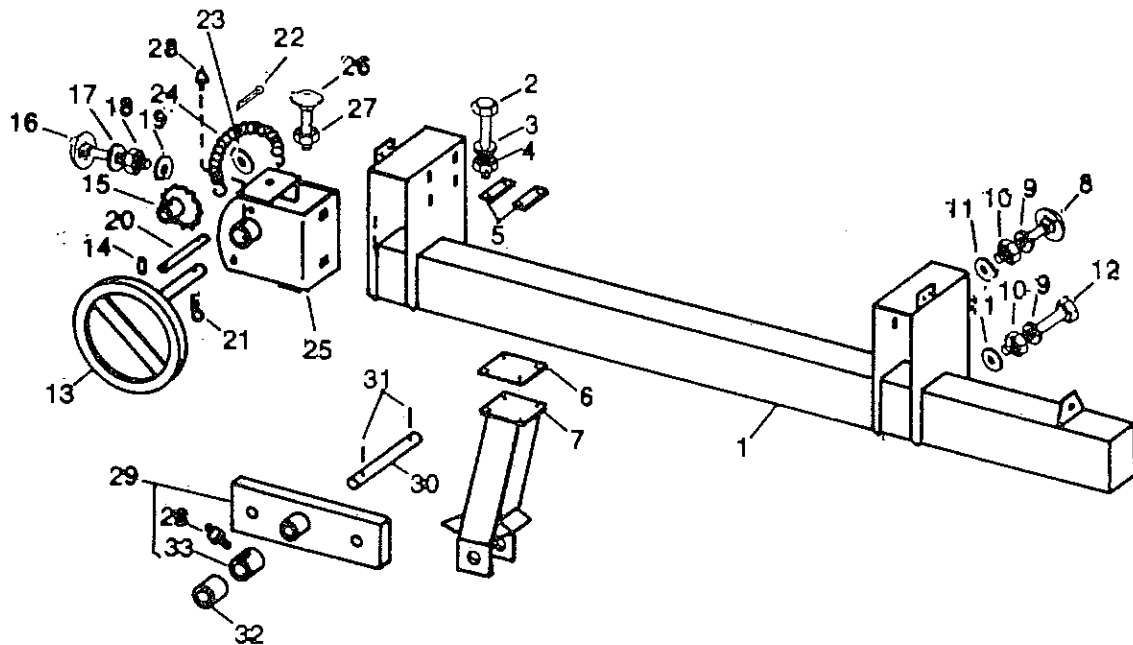
MAIN FRAME - JAN142536



NP1184

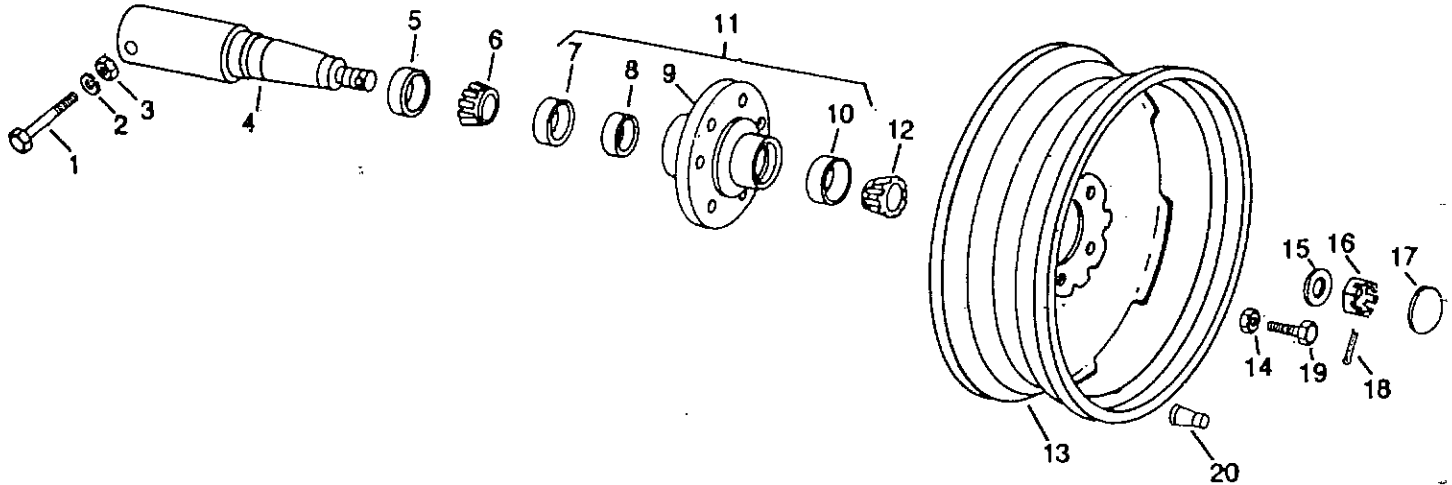
ITEM	PART NUMBER	QTY	DESCRIPTION
1	1	MAIN FRAME
2	990920	-	BOLT, HHCS 1" x 4-1/2"
3	J24H1138	-	WASHER, FLAT 1-1/16" x 2" x .134"
4	JN144623	1	BUSHING, 1-7/16" x 1/2"
5	JAN142665	1	BEARING, BALL 35MM
6	JN123158	1	SNAP RING
7	JAN141761	1	WHEEL ASSY, GUIDE
8	JN144757	-	NUT, GUIDE WHEEL 1"
9	JN10214	-	SCREW, SELF-LOCKING 3/8" x 1"
10	020180	-	NUT, LOCK 3/8"
11	JN144820	1	STRAP
12	E096046	-	BOLT, CRG 1/2" x 1-1/2"
13	I120396	-	WASHER, FLAT 17/32" x 1-1/16" x .090"
14	005360	-	NUT, HEX 1/2"
15	JN143019	1	BAR
16	JAN141789	1	ANGLE ASSY
17	JAN141890	1	TUBE ASSY
18	030030	-	BOLT, HHCS 5/16" x 1-1/4"
19	023620	-	WASHER, LOCK 5/16"
20	023630	-	NUT, HEX 5/16"
21	010730	-	BOLT, HHCS 1/2" x 1-1/4"
22	005370	-	WASHER, LOCK 1/2"
23	JN147215	1	PLATE, MOUNTING L.H.
23	JN147214	1	PLATE, MOUNTING R.H.
24	JN147127	1	ANGLE, SHIELD L.H.
25	JN147213	1	FILLER, OUTER
26	170530	1	BOLT, SSN CRG 3/8" x 1"
27	021180	-	WASHER, LOCK 3/8"
28	027260	-	NUT, HEX 3/8"
29	006690	-	BOLT, HHCS 3/8" x 1-1/4"
30	J24H1308	-	WASHER, FLAT 13/32" x 1" x .134"
31	JN189220	-	TIE BAND

REAR WHEEL SUPPORT & L.H. WHEEL MOUNTING



ITEM	PART NUMBER	QTY	DESCRIPTION
1	JAN142591	1	SUPPORT ASSY, REAR WHEEL
2	J08H4529	-	BOLT, HHCS 1" x 11"
3	003350	-	WASHER, LOCK 1"
4	J14H805	-	NUT, HEX 1"
5	JN146306	2	STRAP, WHEEL MOUNTING.
6	JN146858	2	PLATE, LEVELING
7	JAN142256	1	PEDESTAL ASSY
8	I441452R1	-	BOLT, CRG 5/8" x 2"
9	020440	-	WASHER, LOCK 5/8"
10	I124589	-	NUT, HEX 5/8"
11	J24H1139	-	WASHER, FLAT 11/16" x 1-1/4" x .105"
12	I271732	-	BOLT, HHCS 5/8" x 4-1/4"
13	JAN141737	1	WHEEL ASSY
14	E580050	-	PIN, SPRING 1/4" x 1-1/2"
15	JAN141740	1	SPROCKET, CHAIN 8-TOOTH
16	035180	-	BOLT, SSN CRG 3/8" x 1-1/4"
17	021180	-	WASHER, LOCK 3/8"
18	027260	-	NUT, HEX 3/8"
19	I120394	-	WASHER, FLAT 13/32" x 13/16" x .060"
20	JE50009	-	PIN, RETAINING
21	045310	-	PIN, SPRING LOCKING
22	I177923	-	PIN, COTTER 1/8" x 3/4"
23	E829098	-	WASHER, FLAT 5/32" x 3/8" x .048"
24	JB10958	2	CHAIN, SASH NO. 25 B LINKS
25	JAN141741	1	SUPPORT ASSY
26	005210	-	BOLT, CRG 1/2" x 2-1/4"
27	JK40014	-	NUT, LOCK 1/2"
28	049180	-	FITTING, LUBRICATION 1/4-28
29	JAN142487	1	BEAM ASSY
30	JN146304	1	PIN, 1.50" x 9.52"
31	J34H356	-	PIN, SPRING 3/8" x 2-1/4"
32	JN146299	1	SPACER, 1-17/32" x 1"
33	JH62232	1	BUSHING, 1-5/8" x 1-1/2"

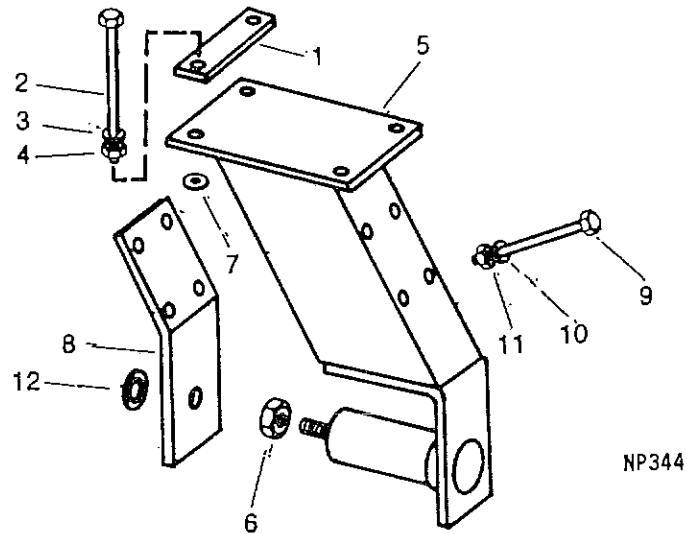
REAR WHEEL HUB, WHEEL & SPINDLE



NP817

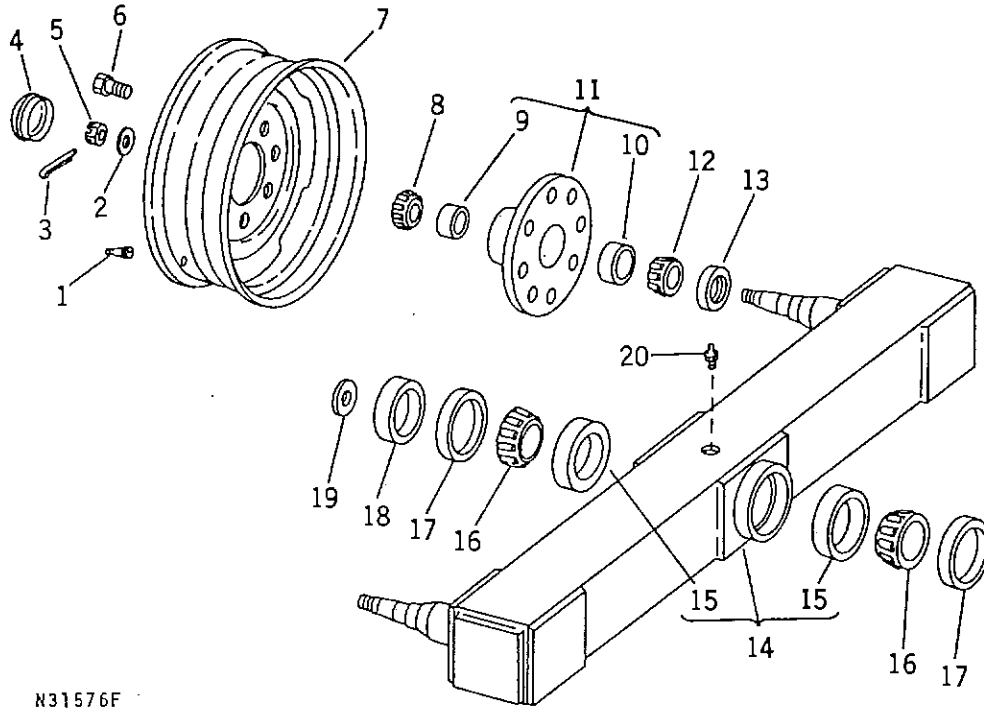
ITEM	PART NUMBER	QTY	DESCRIPTION
1	056720	-	BOLT, HHCS 5/8" x 4"
2	020440	-	WASHER, LOCK 5/8"
3	1124589	-	NUT, HEX 5/8"
4	JN146305	1	SPINDLE
5	JAH20017	1	SEAL
6	JJD8988	1	CONE, BEARING INNER #LM29749
7	JB30887	1	SEAL, CUP
8	JJD8271	1	CUP, BEARING INNER #LM29710
9	JD10024	1	HUB, 6 BOLT
10	018860	1	CUP, BEARING OUTER #LM67010
11	JAN183318	1	HUB, 6 BOLT W/CUPS
12	012630	1	CONE, BEARING OUTER #LM67048
13	032990	1	WHEEL, 15" x 10"
14	J14H888	-	NUT, HEX 9/16"
15	JD10134	-	WASHER, FLAT 25/32" x 1-3/4" x .194"
16	020710	-	NUT, HEX SLOTTED 3/4"
17	JD10025	1	CAP, HUB
18	026630	-	PIN, COTTER 5/32" x 1-1/2"
19	E096004	6	BOLT, WHEEL 9/16" x 1-3/8"
20	164420	1	STEM, VALVE

TANDEM WHEEL MOUNTING



ITEM	PART NUMBER	QTY	DESCRIPTION
1	JN143038	2	STRAP, WHEEL MOUNTING.
2	E672449	-	BOLT, HHCS 3/4" x 9-1/2"
3	036800	-	WASHER, LOCK 3/4"
4	J14H794	-	NUT, HEX 3/4"
5	JAN142498	1	SPINDLE ASSY
6	JU44586	-	NUT, NYLON LOCK 1-3/4"
7	I366112R1	-	WASHER, FLAT 25/32" x 1-1/4" x .105"
8	JN146720	1	PLATE, MOUNTING
9	E672071	-	BOLT, HHCS 5/8" x 8-1/2"
10	020440	-	WASHER, LOCK 5/8"
11	I124589	-	NUT, HEX 5/8"
12	JM16680	-	WASHER, THRUST 1-25/32" x 2-5/8" x .134"

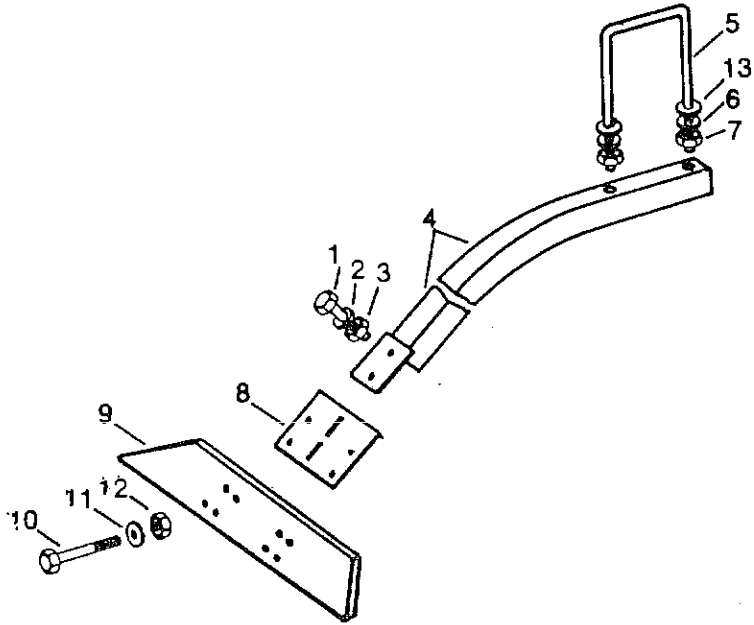
TANDEM WHEEL HUB AND BEAM



N31576F

ITEM	PART NUMBER	QTY	DESCRIPTION
1	JAN132749	1	STEM, VALVE TIRE
2	JU41560	-	WASHER, FLAT 1-1/32" x 2" x .164"
3	124340	-	PIN, COTTER 3/16" x 1-1/2"
4	JL1830C	1	CAP, HUB
5	020710	-	NUT, HEX SLOTTED 3/4"
6	042440	8	BOLT, WHEEL 9/16" x 1"
7	JJD3207	1	RIM, WH10L-16
8	044370	1	CONE, BEARING #48548
9	018850	1	CUP, BEARING #48510
10	042320	1	CUP, BEARING #603011
11	JAN103165	1	HUB, 8 BOLT W/CUPS
12	042310	1	CONE, BEARING #LM603049
13	JAN182235	1	SEAL, OIL
14	JAN141657	1	BEAM, WALKING
15	JJD8214	2	CUP, BEARING #493
16	JJD8191	2	CONE, BEARING #497
17	JR33026	2	SEAL, OIL
18	JN144534	1	SPACER, 3-3/8" x 23/32"
19	JN146633	-	WASHER, FLAT 2-1/4" x 4-1/16" x .048"
20	049180	-	FITTING, LUBRICATION 1/4-28

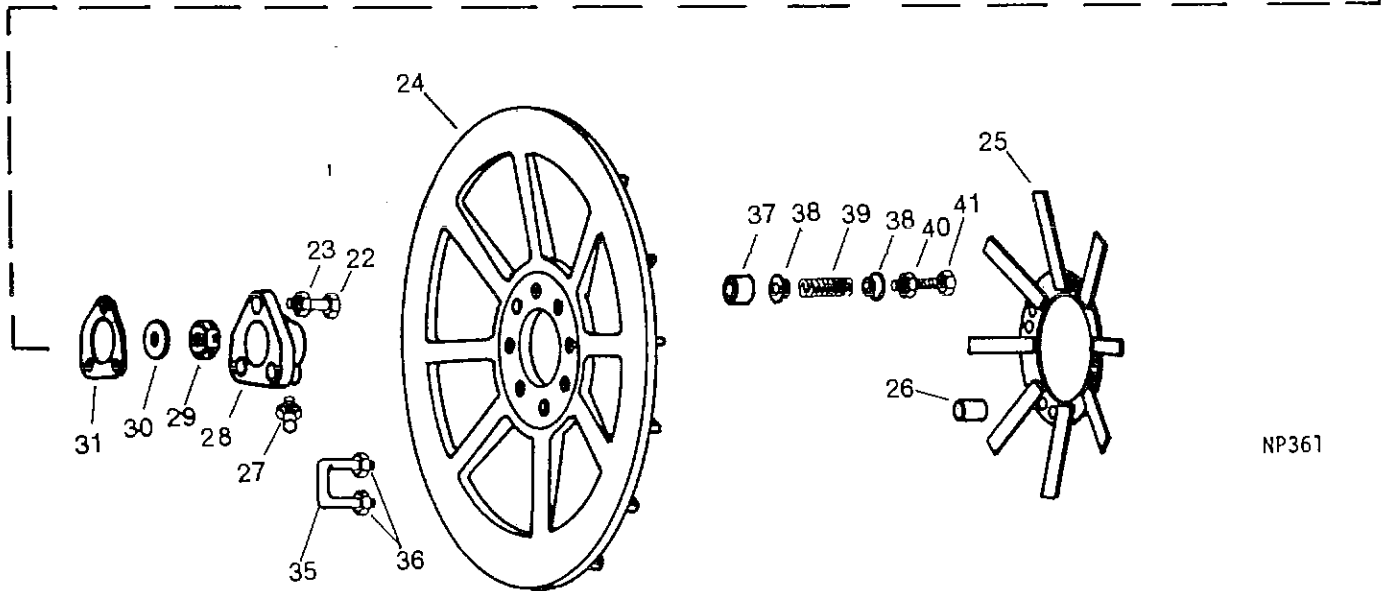
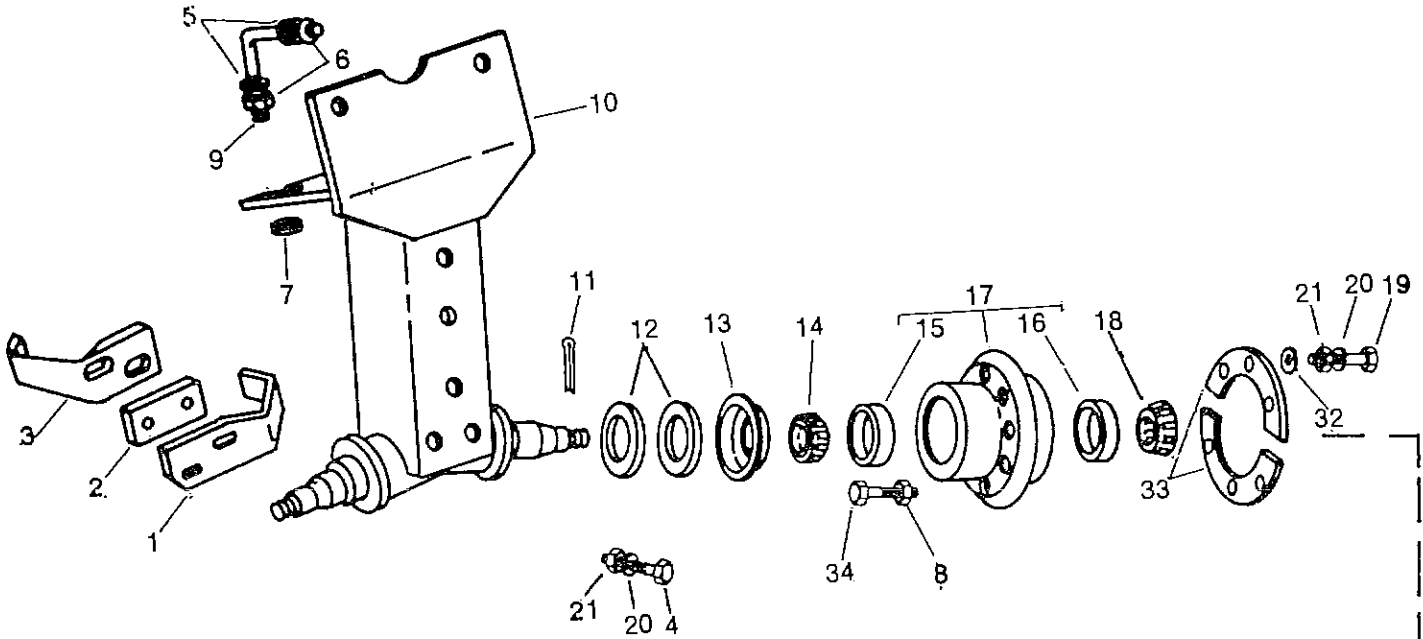
FILLER PLATE DEFLECTOR



NP818

ITEM	PART NUMBER	QTY	DESCRIPTION
1	035180	-	BOLT, SSN CRG 3/8" x 1-1/4"
2	021180	-	WASHER, LOCK 3/8"
3	027260	-	NUT, HEX 3/8"
4	JAN142615	1	FILLER ASSY
5	JN143152	1	U-BOLT, 5/8"
6	020440	-	WASHER, LOCK 5/8"
7	I124589	-	NUT, HEX 5/8"
8	JN147126	1	PLATE, FILLER
9	JN147190	1	FLAP, FILLER
10	006690	-	BOLT, HHCS 3/8" x 1-1/4"
11	J24H1308	-	WASHER, FLAT 13/32" x 1" x .134"
12	020180	-	NUT, HEX FLANGE LOCK 3/8"
13	J24H1373	-	WASHER, FLAT 21/32" x 1-9/16" x .180"

PEDESTAL AND DIGGING WHEELS

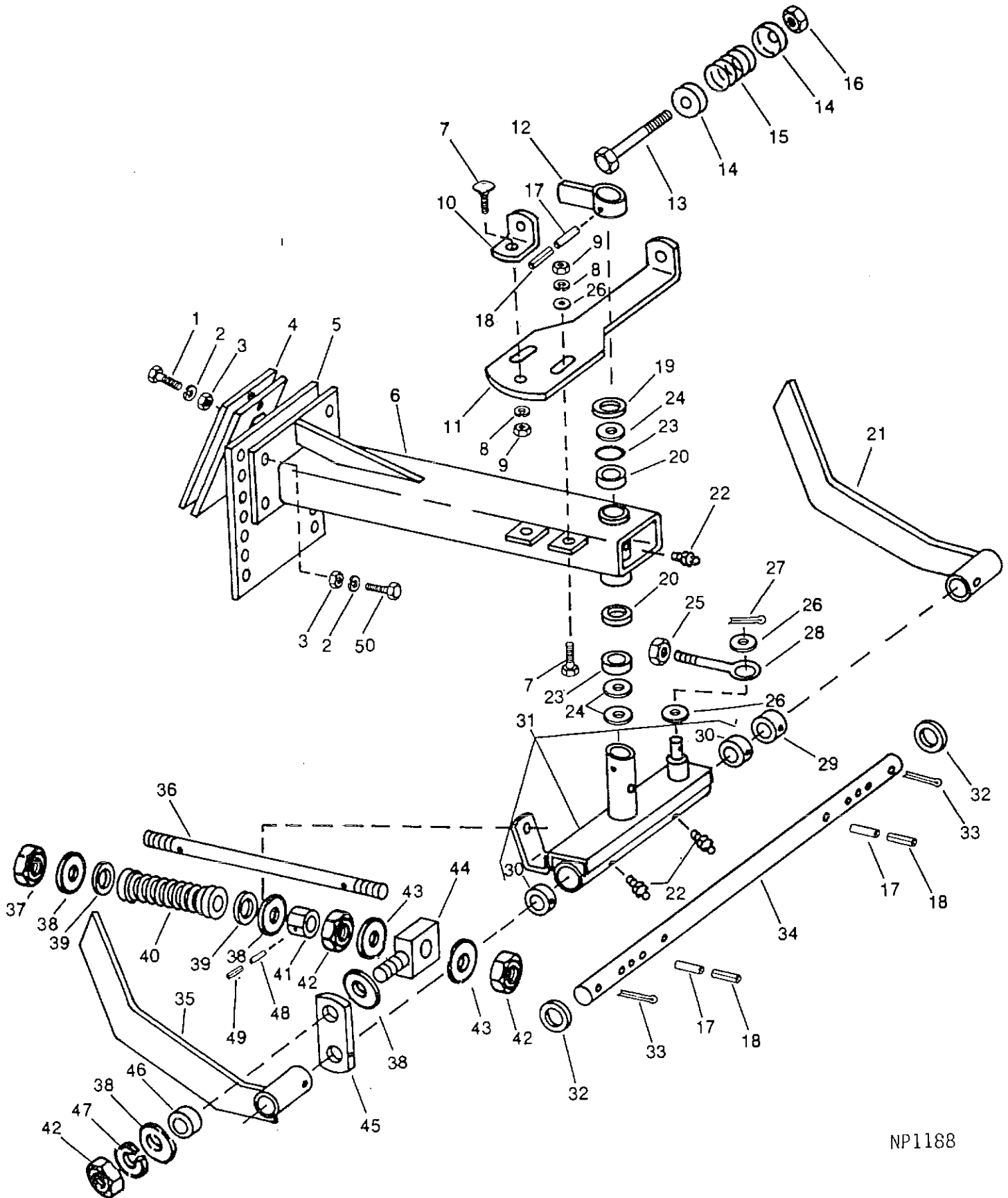


NP361

PEDESTAL AND DIGGING WHEELS

ITEM	PART NUMBER	QTY	DESCRIPTION
1	JN72121	1	SCRAPER, REAR L.H.
2	JN72119	-	SPACER, REAR SCRAPER
3	JN72120	1	SCRAPER, REAR R.H.
4	018310	-	BOLT, HHCS 1/2" x 6"
	1070015	-	BOLT, HHCS 1/2" x 6-1/2"
5	036800	-	WASHER, LOCK 3/4"
6	J14H794	-	NUT, HEX 3/4"
7	I366112R1	-	WASHER, FLAT 25/32" x 1-1/4" x .105"
8	I20048R1	-	NUT, NYLON LOCK 7/16"
9	JN142742	-	L-BOLT, 3/4"
10	JAN140732	1	PEDESTAL ASSY
11	E580046	-	PIN, COTTER 1/4" x 2-1/2"
12	JN5053DN	-	SEAL, GREASE
13	JN72675	2	RETAINER, FELT
14	JJD8985	2	CONE, BEARING #28584
15	JJD7427	2	CUP, BEARING #28521
16	129770	2	CUP, BEARING #28520
17	JAN71364	2	HUB ASSY, W/CUPS
18	235770	2	CONE, BEARING #25581
19	J19H1984	-	BOLT, HHCS 1/2" x 3"
	J19H2163	-	BOLT, HHCS 1/2" x 4"
20	005370	-	WASHER, LOCK 1/2"
21	005360	-	NUT, HEX 1/2"
22	J19H2284	-	BOLT, HHCS 3/8" x 7/8"
23	027260	-	NUT, HEX 3/8"
24	JN142716	2	WHEEL, DIGGER
25	JAN70763	2	FAN ASSY
	JAN142641	2	FAN, USE W/ROCK SPRINGS
26	J28H1892	8	SPACER, 1/2" x 5/8"
27	013170	-	FITTING, LUBRICATION 1/8" NPT
28	JN72550	2	CAP, HUB
29	JP43053	-	NUT, SLOTTED JAM 1-14"
30	JN140213	-	WASHER, FLAT 1-9/32" x 2-1/2" x .250"
31	JN70509	1	GASKET, HUB
32	I120396	-	WASHER, FLAT 17/32" x 1-1/16" x .090"
33	JN140077	1	SPACER, DIGGER WHEEL
34	1770608	-	BOLT, HHCS 1/2" x 3-1/2"
35	JN152000	-	U-BOLT, 3/8"
36	020180	-	NUT, HEX FLANGE LOCK 3/8"
37	JC1952N	16	SPACER, SHANK
38	JN147173	-	WASHER, STEP
39	JN147176	16	SPRING, DIGGER WHEEL
40	JK40014	-	NUT, LOCK 1/2"
41	J19H1806	-	BOLT, HHCS 1/2" x 5-3/4"

ROW FINDER

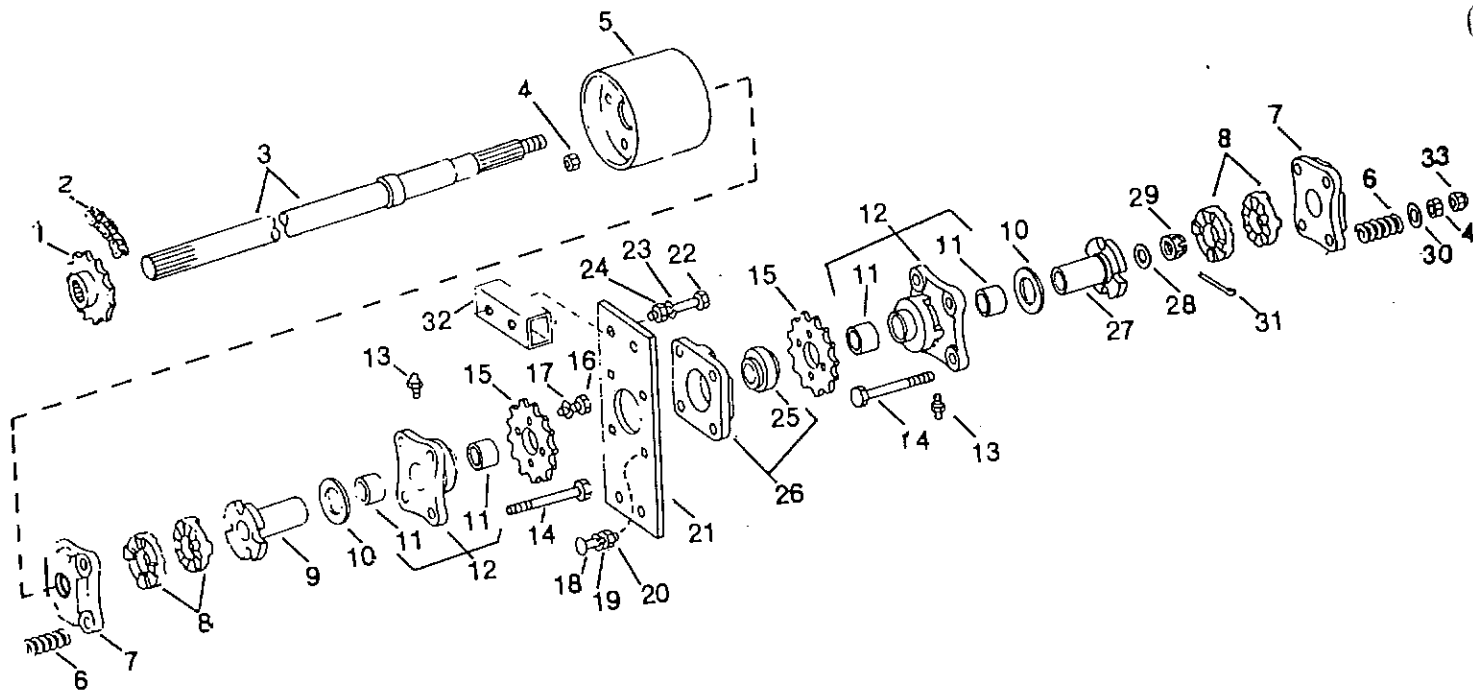


NP1188

ROW FINDER

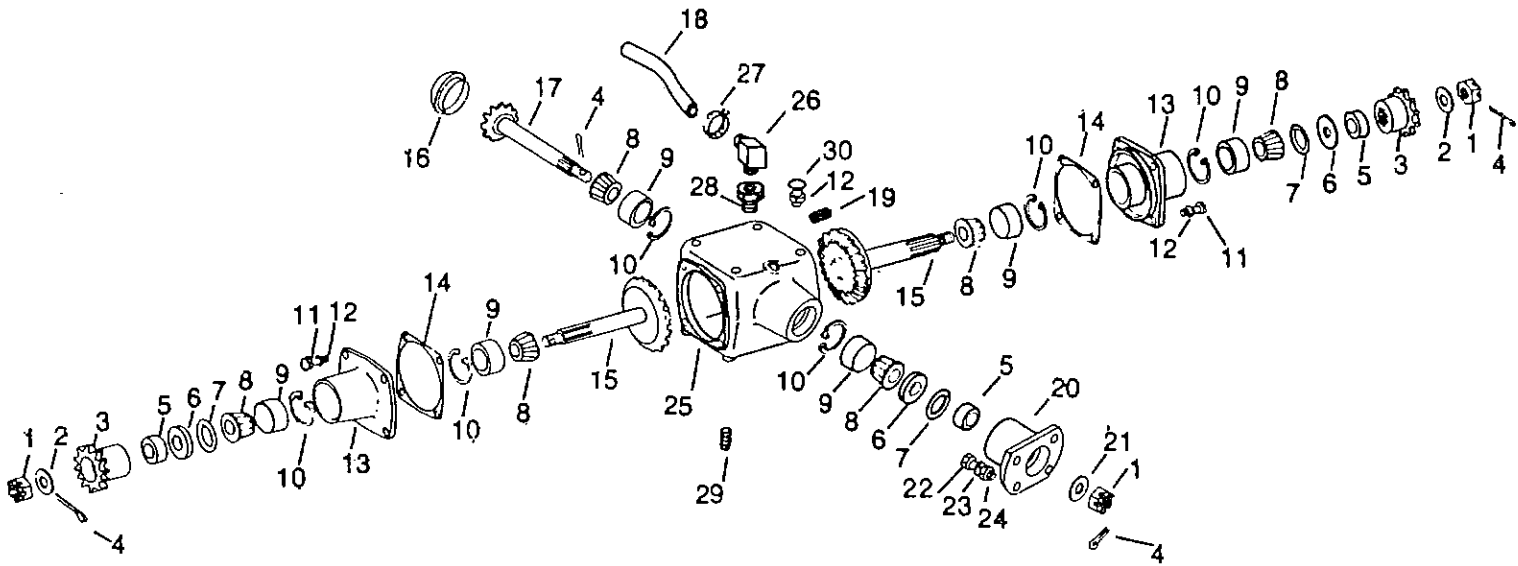
ITEM	PART NUMBER	QTY	DESCRIPTION
1	01E310	-	BOLT, HHCS 1/2" x 6"
2	005370	-	WASHER, LOCK 1/2"
3	005360	-	NUT, HEX 1/2"
4	JN142719	1	PLATE, MOUNTING
5	JAN142138	1	BRACKET ASSY
6	JAN142137	1	FRAME ASSY
7	035180	-	BOLT, SSN CRG 3/8" x 1-1/4"
8	021180	-	WASHER, LOCK 3/8"
9	027260	-	NUT, HEX 3/8"
10	JN145971	1	BRACKET, ANGLE
11	JN145982	1	BRACKET, ADJUSTMENT
12	JAN142139	1	BAR ASSY
13	990820	-	BOLT, HHCS 3/8" x 3"
14	JN73401	4	WASHER, CUPPED
15	JCJ21FN	2	SPRING, COMPRESSION
16	073630	-	NUT, HEX NYLON LOCK 3/8"
17	E580053	-	PIN, SPRING 5/16" x 1-3/4"
18	J34H288	-	PIN, SPRING 3/16" x 1-3/4"
19	J24H1476	-	WASHER, FLAT 1-5/32" x 1-3/4" x .024"
20	JJD8813	2	BEARING, NEEDLE
21	JAN142149	1	SENSOR, L.H.
22	049180	-	FITTING, LUBRICATION 1/4-28
23	JAT30144	2	SEAL, OIL
24	I23041R1	3	WASHER, FLAT 1-5/32" x 1-3/4" x .060"
25	I124829	-	NUT, HEX JAM 3/8"
26	I120394	-	WASHER, FLAT 13/32" x 13/16" x .060"
27	023090	-	PIN, COTTER 3/32" x 3/4"
28	JAN71924	-	PIN, CONNECTING
29	JN145972	1	BUSHING, 1-1/4" x 5/8"
30	JL1713C	2	BUSHING, SHAFT
31	JAN142146	1	SHAFT, COMP ASSY
32	I608700R1	-	WASHER, FLAT 1-9/32" x 2" x .060"
33	003950	-	PIN, COTTER 3/16" x 2"
34	JN145977	1	SHAFT, CROSS
35	JAN142148	1	SENSOR, R.H.
36	JN147175	1	STUD, ADJUSTING
37	JK40015	-	NUT, LOCK 5/8"
38	J24H1373	-	WASHER, FLAT 21/32" x 1-9/16" x .180"
39	JN147036	2	WASHER, CUPPED
40	J23096	1	SPRING, COMPRESSION
41	JN147174	1	STOP, SPRING
42	I124589	-	NUT, HEX 5/8"
43	J24H1367	-	WASHER, FLAT 21/32" x 1-1/4" x 1/4"
44	JN145970	1	EYEBOLT, 5/8"
45	JN145981	1	BRACKET, SPRING
46	JN145980	1	SPACER, 21/32" x 11/16"
47	020440	-	WASHER, LOCK 5/8"
48	1030808	-	PIN, SPRING 5/16" x 1-1/4"
49	991100	-	PIN, SPRING 3/16" x 1-1/4"
50	014770	-	BOLT, HHCS 1/2" x 1-1/2"

R.H. MAIN DRIVE SHAFT, SLIP CLUTCH & SPROCKETS



ITEM	PART NUMBER	QTY	DESCRIPTION
1	JN141361	1	SPROCKET, CHAIN 14-TOOTH
2	163770	1	CHAIN, LINK 3/4" PITCH 2 STRAND 14 LINKS
3	JAN141712	1	SHAFT, DRIVE
4	I19606R1 I124589	-	NUT, LOCK 5/8" NUT, HEX 5/8"
5	JAN141733	1	SHIELD ASSY, CLUTCH
6	JN14279	8	SPRING, COMPRESSION
7	JN100101	2	RETAINER, SLIP CLUTCH
8	JN108387	4	CLUTCH, SLIP
9	JN144714	1	HUB, 21T
10	JN14285	-	WASHER, FLAT 1-29/32" x 3-1/4" x .105"
11	JN100256	4	BUSHING, 1-3/4" x 1"
12	JAN100129	2	SUPPORT ASSY
13	033570	-	FITTING, LUBRICATION 1/8-27
14	031490	-	BOLT, HHCS 5/8" x 5"
15	JN14287	2	SPROCKET, CHAIN 21-TOOTH
16	012260	-	BOLT, HHCS 3/8" x 1"
17	021180	-	WASHER, LOCK 3/8"
18	E096046	-	BOLT, CRG 1/2" x 1-1/2"
19	005370	-	WASHER, LOCK 1/2"
20	114380	-	NUT, HEX JAM 1/2"
21	JN144713	1	PLATE
22	990670	-	BOLT, HHCS 5/8" x 3-3/4"
23	020440	-	WASHER, LOCK 5/8"
24	I124589	-	NUT, HEX 5/8"
25	1795201	1	BEARING, BALL 1-1/4"
26	JAN141125	1	BEARING ASSY, FLANGE 1-1/4"
27	JN144715	1	HUB, 9T
28	JN30644	-	WASHER, FLAT 25/32" x 1-1/2" x .164"
29	020710	-	NUT, HEX SLOTTED 3/4"
30	J24H1370	-	WASHER, FLAT 21/32" x 1-3/8" x .134"
31	124340	-	PIN, COTTER 3/16" x 1-1/2"
32	JN144716	2	TUBE
33	1121555	-	NUT, HEX JAM 5/8"

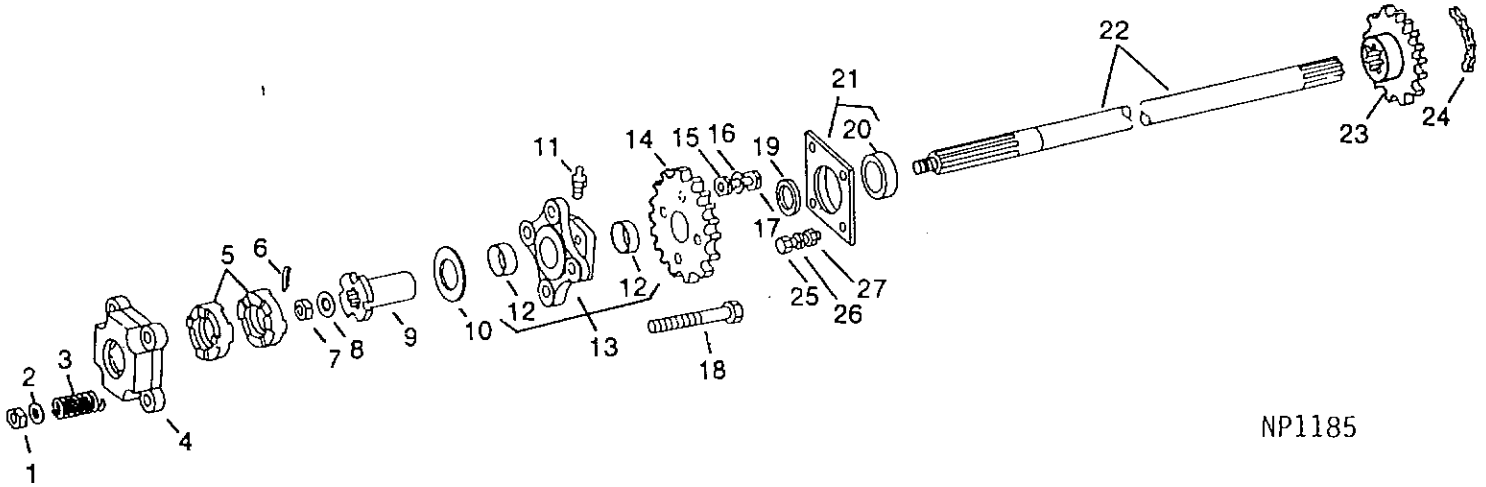
MAIN GEAR CASE - JAN141113



NP848

ITEM	PART NUMBER	QTY	DESCRIPTION
1	020710	-	NUT, HEX SLOTTED 3/4"
2	J24H1401	-	WASHER, FLAT 25/32" x 1-3/4" x .194"
3	JN141361	2	SPROCKET, CHAIN 14-TOOTH
4	026630	-	PIN, COTTER 5/32" x 1-1/2"
5	JN71638	3	SPACER, 1-3/8" x 25/32"
6	JAN70684	3	SEAL, OIL
7	JH64801	3	O-RING, 1.29 x .103
8	044370	6	CONE, BEARING #LM48548
9	018850	6	CUP, BEARING #LM48510
10	JN123157	3	SNAP RING
11	010730	-	BOLT, HHCS 1/2" x 1-1/4"
12	005370	-	WASHER, LOCK 1/2"
13	JN71610	2	CAP, MAIN CASE
14	JN71682	-	SHIM, .005
	JN71683	-	SHIM, .010
15	JAN71668	2	SHAFT ASSY
16	TG0769	1	CAP, HUB
17	JAN102327	1	SHAFT ASSY
18	JN143924	1	HOSE, 1/4"OD x 14"
19	044310	1	PLUG, PIPE 3/4"
20	JAN141050	-	HUB ASSY
21	JN30644	-	WASHER, FLAT 25/32" x 1-1/2" x .164"
22	032020	-	BOLT, HHCS 7/16" x 1-1/4"
23	023990	-	WASHER, LOCK 7/16"
24	I271501	1	NUT, HEX 7/16"
25	JN103619	1	CASE, GEAR
26	JN115724	1	ELBOW
27	JN117044	1	CLAMP, TUBING
28	J15H518	1	BUSHING, HEX REDUCING 3/4" x 1/8"
29	073580	-	PLUG, PIPE 1/8-27
30	J19H2898	-	BOLT, HHCS 1/2" x 1-1/4"
	JAN141113	-	GEARBOX COMPLETE

LEFT HAND FRONT DRIVE SHAFT

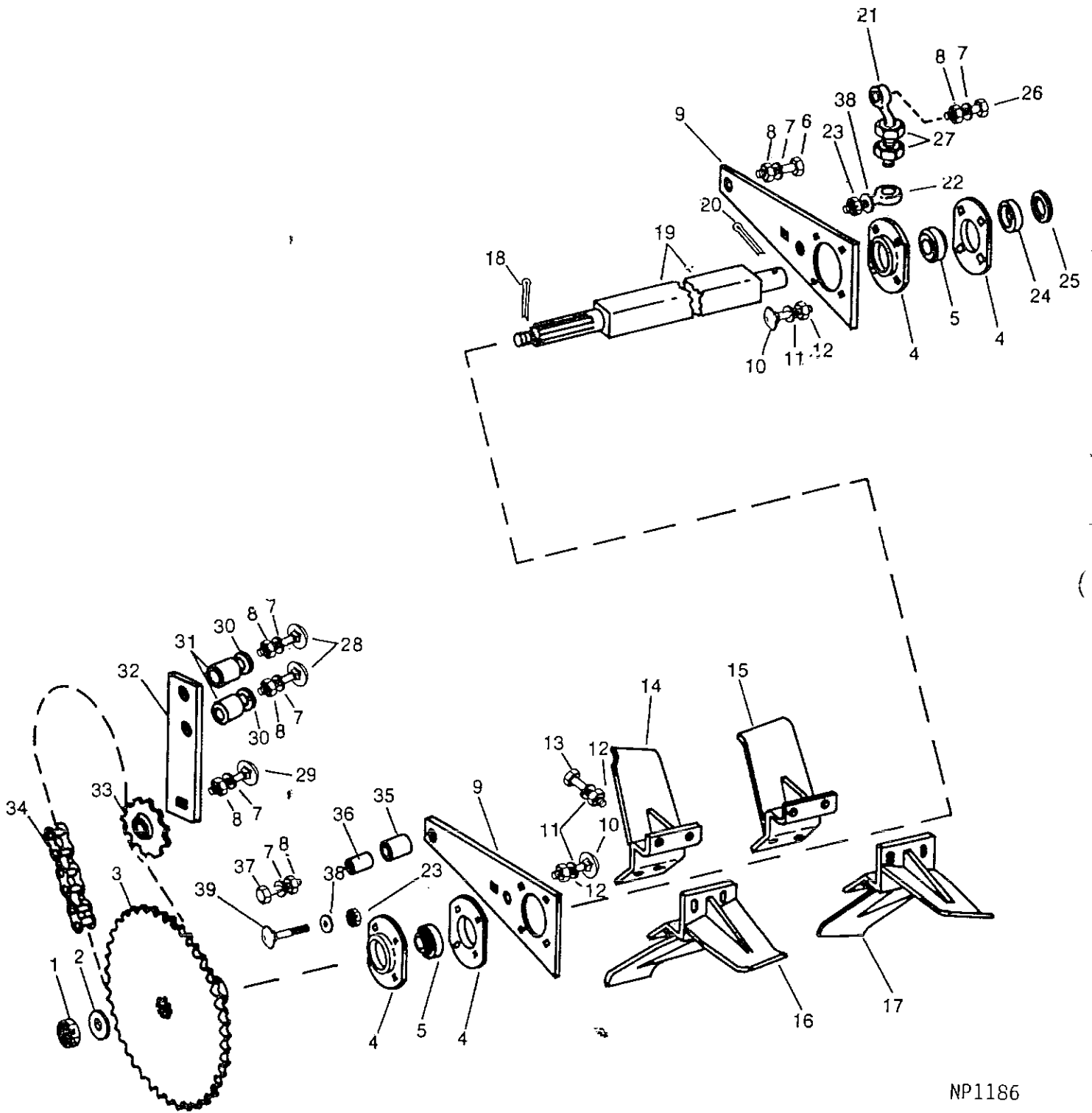


NP1185

ITEM	PART NUMBER	QTY	DESCRIPTION
1	119606R1	-	NUT, LOCK 5/8"
2	J24H1370	-	WASHER, FLAT 21/32" x 1-3/8" x .134"
3	JN14279	4	SPRING, COMPRESSION
4	JN100101	1	RETAINER, SLIP CLUTCH
5	JN108387	2	JAW, SLIP CLUTCH
6	124340	-	PIN, COTTER 3/16" x 1-1/2"
7	02071C	-	NUT, HEX SLOTTED 3/4"
8	JN30644	-	WASHER, FLAT 25/32" x 1-1/2" x .164"
9	JN14289	1	HUB, SLIP CLUTCH
10	JN14285	-	WASHER, FLAT 1-29/32" x 3-1/4" x .105"
11	033570	-	FITTING, LUBRICATION 1/8-27
12	JN100256	2	BUSHING, 1-3/4" x 1"
13	JAN100129	1	SUPPORT ASSY
14	JN14287	1	SPROCKET, CHAIN 21-TOOTH
15	027260	-	NUT, HEX 3/8"
16	021180	-	WASHER, LOCK 3/8"
17	012260	-	BOLT, HHCS 3/8" x 1"
18	031490	-	BOLT, HHCS 5/8" x 5"
19	JN142761	1	SPACER, L.H. DRIVE 1-9/32" x 5/8"
20	007180	1	BEARING, BALL 1-1/4"
21	JAN141125	1	BEARING ASSY, FLANGE 1-1/4"
22	JN142745	1	SHAFT, DRIVE
23	JN141361	1	SPROCKET, CHAIN 14-TOOTH
24	163770	1	CHAIN, LINK 3/4" P 14 LINKS
25	014770	-	BOLT, HHCS 1/2" x 1-1/2"
26	005370	-	WASHER, LOCK 1/2"
27	005360	-	NUT, HEX 1/2"

NOTES

FRONT PADDLE SHAFT

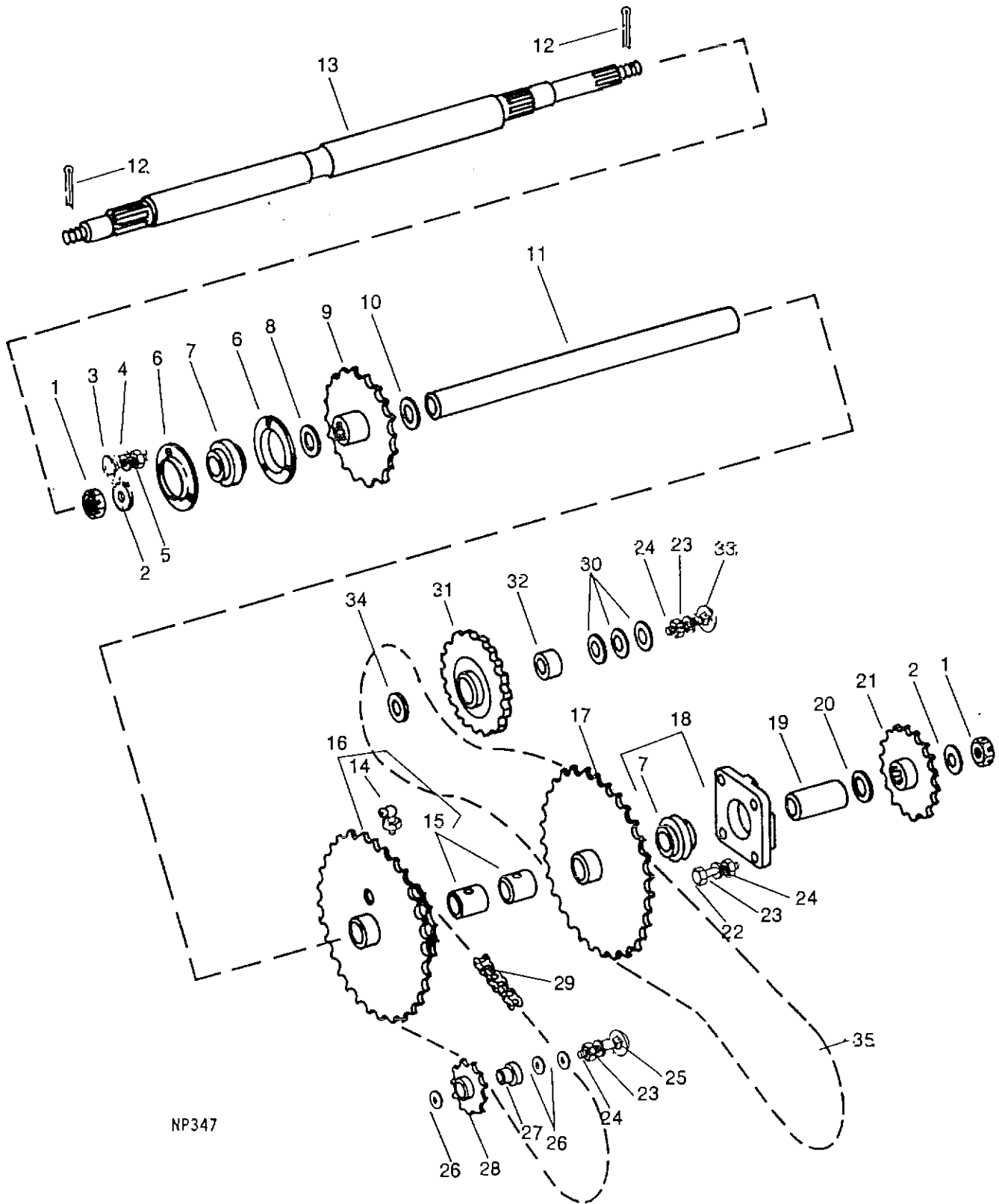


NP1186

FRONT PADDLE SHAFT

ITEM	PART NUMBER	QTY	DESCRIPTION
1	020710	-	NUT, HEX SLOTTED 3/4"
2	J24H1401	-	WASHER, FLAT 25/32" x 1-3/4" x .194"
3	JAN141784	1	SPROCKET, CHAIN 32 & 38-TOOTH
4	JE62484	4	HOUSING, PRESSED FLANGED 4-BOLT
5	250160	1	BEARING, BALL 1-1/2" SOD
6	025100	-	BOLT, HHCS 5/8" x 1-3/4"
7	020440	-	WASHER, LOCK 5/8"
8	I124589	-	NUT, HEX 5/8"
9	JN142753	2	BRACKET, PADDLE SHAFT
10	030470	-	BOLT, SSN CRG 1/2" x 1-1/4"
11	005370	-	WASHER, LOCK 1/2"
12	005360	-	NUT, HEX 1/2"
13	023950	-	BOLT, HHCS 1/2" x 2"
14	JAN140044	1	PADDLE, REAR R.H.
15	JAN140045	1	PADDLE, REAR L.H.
16	JAN140906	1	PADDLE, FRONT R.H.
17	JAN140907	1	PADDLE, FRONT L.H.
18	124340	-	PIN, COTTER 3/16" x 1-1/2"
19	JN142756	1	SHAFT, 4-ROW
20	003950	-	PIN, COTTER 3/16" x 2"
21	JN143879	-	EYEBOLT, OFFSET 3/4" x 6-1/4"
22	JN144920	-	EYEBOLT, SQ HD 3/4" x 2-3/8"
23	JK40016	-	NUT, LOCK 3/4"
24	I455112R11	1	COLLAR, ECCENTRIC LOCKING 1-1/2"
25	I22801R1	-	WASHER, FLAT 1-17/32" x 2-1/16" x .060"
26	990620	-	BOLT, HHCS 5/8" x 2"
27	E552038	-	NUT, HEX JAM 3/4"
28	J03H1858	-	BOLT, CRG 5/8" x 3-1/2"
29	J09H1587	-	BOLT, #3 PLOW HEAD 5/8" x 2"
30	035210	-	WASHER, FLAT 21/32" x 1-5/16" x .090"
31	JN144904	2	SPACER
32	JN144903	1	STRAP, IDLER
33	JAN31211	1	SPROCKET, CHAIN 15-TOOTH
34	JAN141766	1	CHAIN, LINK 3/4P 76LINKS
35			
36			
37	025100	-	BOLT, HHCS 5/8" x 1-3/4"
	I271729	-	BOLT, HHCS 5/8" x 3-1/2"
38	J24H1399	-	WASHER, FLAT 25/32" x 1-5/8" x .180"
39	J03H1475	-	BOLT, CRG 3/4" x 2"

R. H. COUNTERSHAFT DRIVE

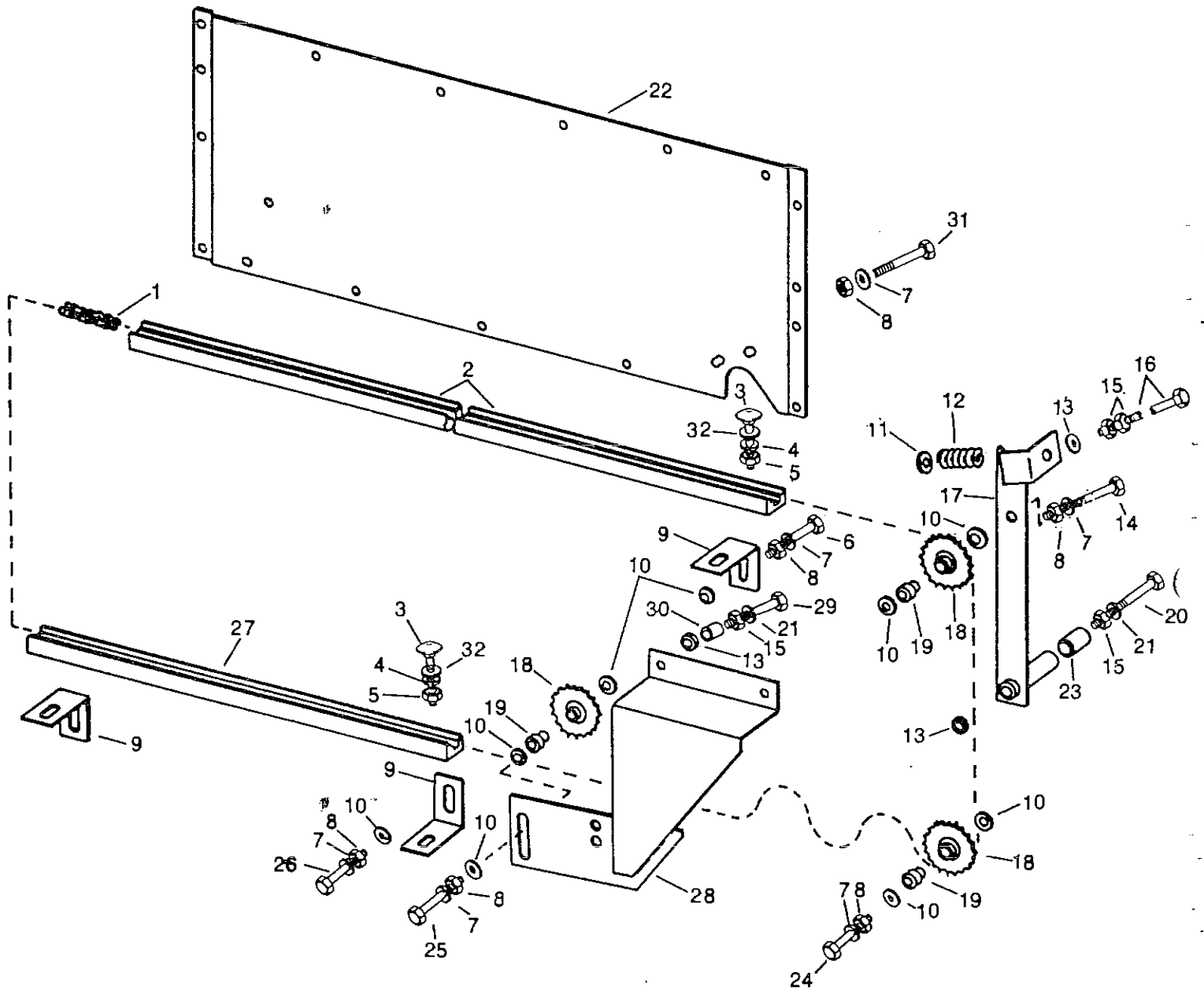


NP347

R.H. COUNTERSHAFT DRIVE

ITEM	PART NUMBER	QTY	DESCRIPTION
1	020710	-	NUT, HEX SLOTTED 3/4"
2	J24H1401	-	WASHER, FLAT 25/32" x 1-3/4" x .194"
3	035180	-	BOLT, SSN CRG 3/8" x 1-1/4"
4	021180	-	WASHER, LOCK 3/8"
5	027260	-	NUT, HEX 3/8"
6	E281004	2	HOUSING, PRESSED FLANGED 3-HOLE
7	1795201	2	BEARING, BALL 1-1/4" SOD
8	J24H1511	-	WASHER, FLAT 1-13/32" x 1-3/4" x .060"
9	JAN141714	1	SPROCKET, CHAIN 14-TOOTH
10	I22801R1	-	WASHER, FLAT 1-17/32" x 2-1/16" x .060"
11	J28H3276	1	BUSHING, 1-1/2" x 20-1/4"
12	124340	-	PIN, COTTER 3/16" x 1-1/2"
13	JN144751	1	SHAFT
14	010550	-	FITTING, 1/8"-27 90 DEG.
15	JH62232	2	BUSHING, BRONZE
16	JAN141721	1	SPROCKET, DRIVE 23&52-TOOTH W/BUSHINGS
17	JAN141719	1	SPROCKET, CHAIN 52-TOOTH
18	JAN141125	1	BEARING ASSY
19	JN144746	1	SPACER, JACKSHAFT
20	I608700R1	-	WASHER, FLAT 1-9/32" x 2" x .060"
21	JAN141716	1	SPROCKET, CHAIN 25-TOOTH
22	014770	-	BOLT, HHCS 1/2" x 1-1/2"
23	005370	-	WASHER, LOCK 1/2"
24	005360	-	NUT, HEX 1/2"
25	005210	-	BOLT, CRG 1/2" x 2-1/4"
26	I178373R1	-	WASHER, FLAT 17/32" x 15/16" x .060"
27	JN10077	2	SLEEVE, IDLER BEARING
28	JAN31211	2	SPROCKET, IDLER
29	JAN141767	1	CHAIN, LINK 3/4P 83 LINKS
30	J24H1346	-	WASHER, FLAT 17/32" x 1-3/4" x .120"
31		-	
32		-	
33	J03H1593	-	BOLT, CRG 1/2" x 2-1/2"
34	J24H1344	-	WASHER, FLAT 17/32" x 1-5/8" x 1/4"
35	JAN141767	1	CHAIN, LINK 3/4P 83 LINKS
	JAN141772	1	CHAIN, LINK 3/4P 159 LINKS

L. H. CHAIN DRIVE, IDLERS, BRACKETS & GUIDES

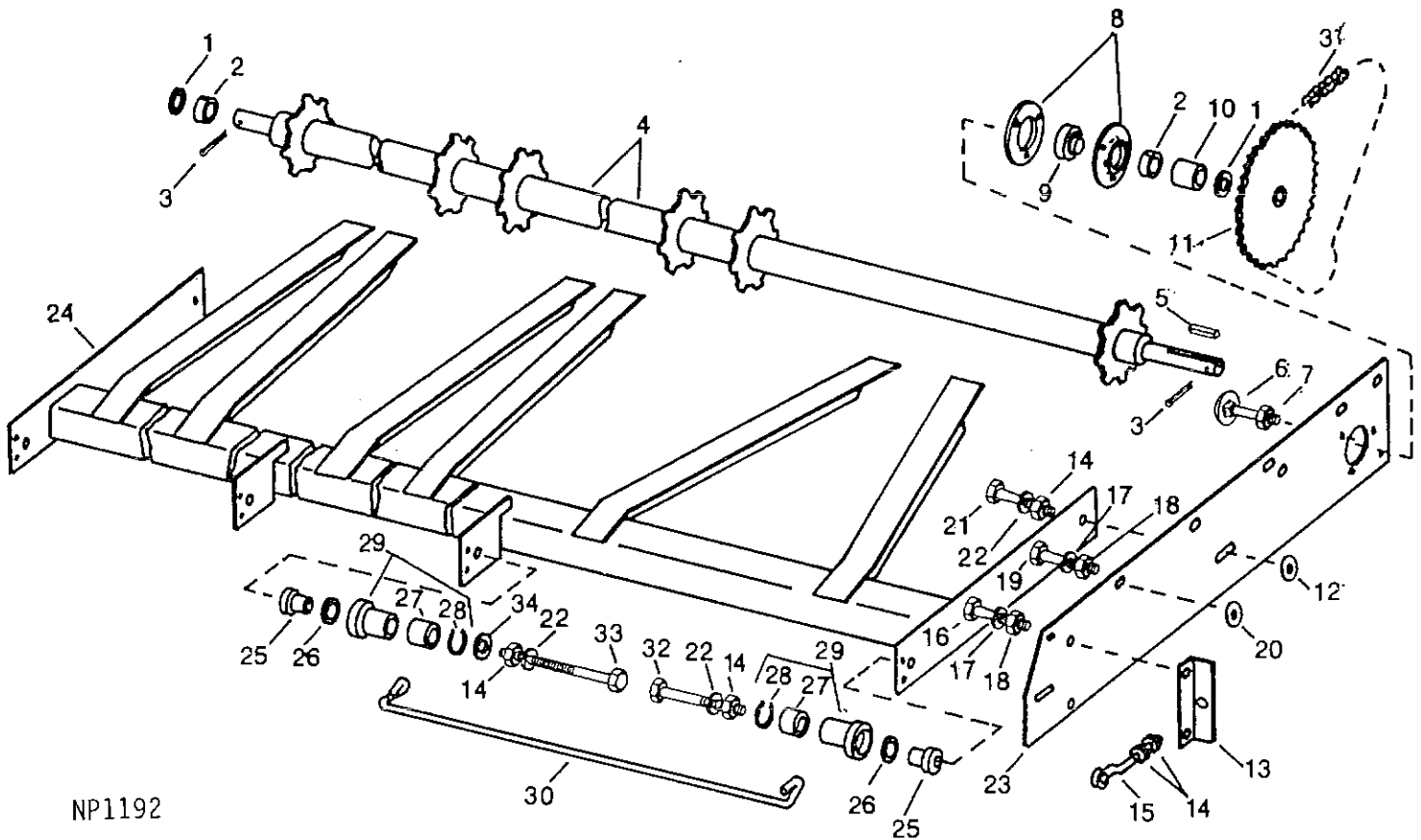


NP822

L.H. CHAIN DRIVE, IDLERS BRACKETS & GUIDES

ITEM	PART NUMBER	QTY	DESCRIPTION
1	JAN141788	1	CHAIN, LINK 3/4P 308 LINKS
2	JN140028	1	GUIDE, UPPER CHAIN
3	035180	-	BOLT, SSN CRG 3/8" x 1-1/4"
4	021180	-	WASHER, LOCK 3/8"
5	027260	-	NUT, HEX 3/8"
6	014770	-	CAP SCREW, 1/2X1-1/2
7	005370	-	WASHER, LOCK 1/2"
8	005360	-	NUT, HEX 1/2"
9	JN147202	4	ANGLE, CHAIN SLIDE
10	I178373R1	-	WASHER, FLAT 17/32" x 15/16" x .060"
11	J24H1370	-	WASHER, FLAT 21/32" x 1-3/8" x .134"
12	J23096	1	SPRING, COMPRESSION
13	035210	-	WASHER, FLAT 21/32" x 1-5/16" x .090"
14	990840	-	BOLT, HHCS 1/2" x 3"
15	I124589	-	NUT, HEX 5/8"
16	J08H4753	-	BOLT, HHCS 5/8" x 10-1/2"
17	JAN141710	1	ARM ASSY, IDLER
18	JAN31211	3	SPROCKET, CHAIN IDLER 15-TOOTH
19	JN10077	3	SLEEVE, IDLER BEARING
20	212750	-	BOLT, HHCS 5/8" x 6-1/2"
21	020440	-	WASHER, LOCK 5/8"
22	JN147258	1	PLATE, FILLER
23	JN144704	1	SPACER, 41/64" x 4-55/64"
24	030420	-	BOLT, HHCS 1/2" x 4-1/2"
25	J03H1593	-	BOLT, CRG 1/2" x 2-1/2"
26	1770500	-	BOLT, HHCS 1/2" x 1-3/4"
27	JN144019	1	GUIDE, LOWER CHAIN
28	JAN141145	1	BRACKET ASSY, IDLER
29	990650	-	BOLT, HHCS 5/8" x 3"
30	JN142785	1	SPACER, 7/8" x 1-11/32"
31	010730	-	BOLT, HHCS 1/2" x 1-1/4"
32	I120394	-	WASHER, FLAT 13/32" x 13/16" x .060"

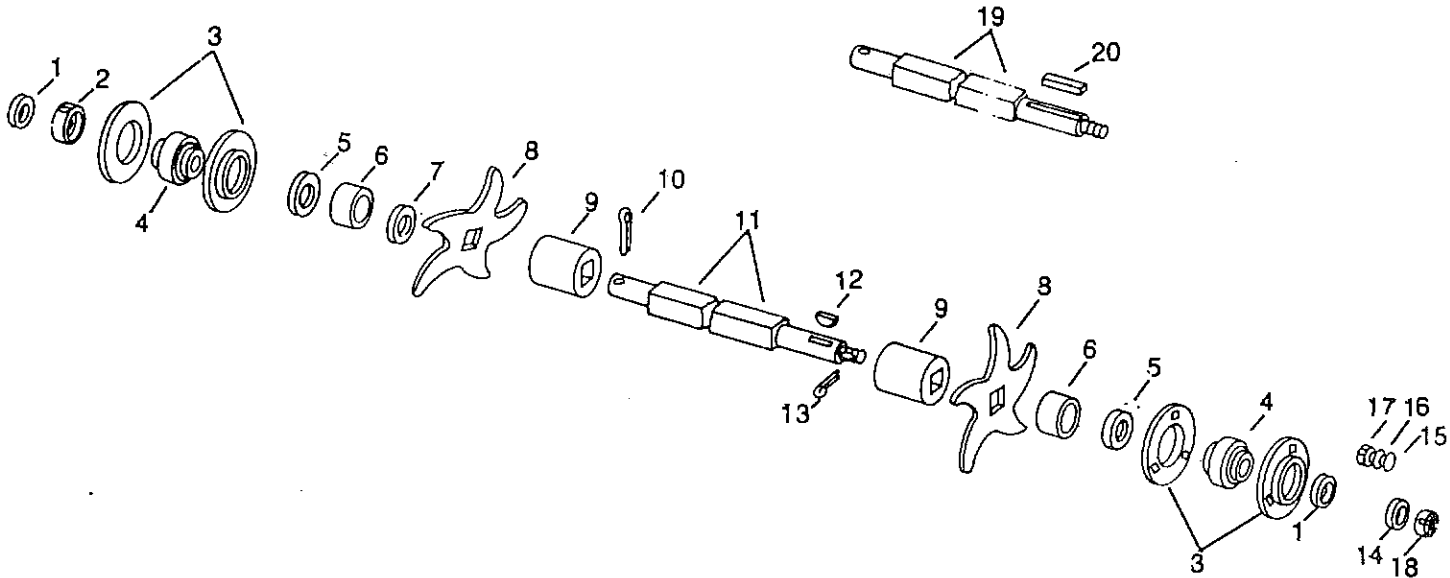
PRIMARY CONVEYOR CHAIN



NP1192

ITEM	PART NUMBER	QTY	DESCRIPTION
1	J24H1511	-	WASHER, FLAT 1-13/32" x 1-3/4" x .060"
2	JJD8576	2	COLLAR, ECCENTRIC LOCKING
3	I137258	-	PIN, COTTER 3/16" x 1-3/4"
4	JAN142579	1	SHAFT ASSY, PRIMARY CONVEYOR
5	JN7477DN	1	KEY, SHAFT 5/16" x 1-1/8"
6	170530	-	BOLT, SSN CRG 3/8" x 1"
7	020180	-	NUT, LOCK 3/8"
8	E281004	4	HOUSING, PRESSED FLANGED 3-BOLT
9	JJD9275	2	BEARING, BALL 1-3/8"
10	JN142988	1	SPACER, GRABROLL 1-15/32" x 1-9/32"
11	JAN141057	1	SPROCKET, CHAIN 48-TOOTH
12	035210	-	WASHER, FLAT 21/32" x 1-5/16" x .090"
13	JN142378	2	ANGLE
14	I124589	-	NUT, HEX 5/8"
15	JN5044DN	-	EYEBOLT, 5/8" x 6-1/4"
16	010730	-	BOLT, HHCS 1/2" x 1-1/4"
17	005370	-	WASHER, LOCK 1/2"
18	005360	-	NUT, HEX 1/2"
19	1770500	-	BOLT, HHCS 1/2" x 1-3/4"
20	I120396	-	WASHER, FLAT 17/32" x 1-1/16" x .090"
21	990610	-	BOLT, HHCS 5/8" x 1-1/2"
22	020440	-	WASHER, LOCK 5/8"
23	JN142841	2	SHEET, PRIMARY CONVEYOR
24	JAN141792	1	SUPPORT ASSY
25	JN145984	6	SPACER, TRUCK CONVEYOR 21/32" x 1-1/4"
26	J24H1454	-	WASHER, FLAT 1-1/32" x 2" x .060"
27	JJD9353	8	BEARING, BALL HEX 1"
28	JN123156	8	SNAP RING
29	JAN142153	8	ROLLER ASSY
30	JN142754	126	LINK, ELEVATOR
31	JAN141159	1	CHAIN, LINK 3/4P 64 LINKS
32	I271729	-	BOLT, HHCS 5/8" x 3-1/2"
33	I271732	-	BOLT, HHCS 5/8" x 4-1/4"
34	J24H1373	-	WASHER, FLAT 21/32" x 1-9/16" x .180"

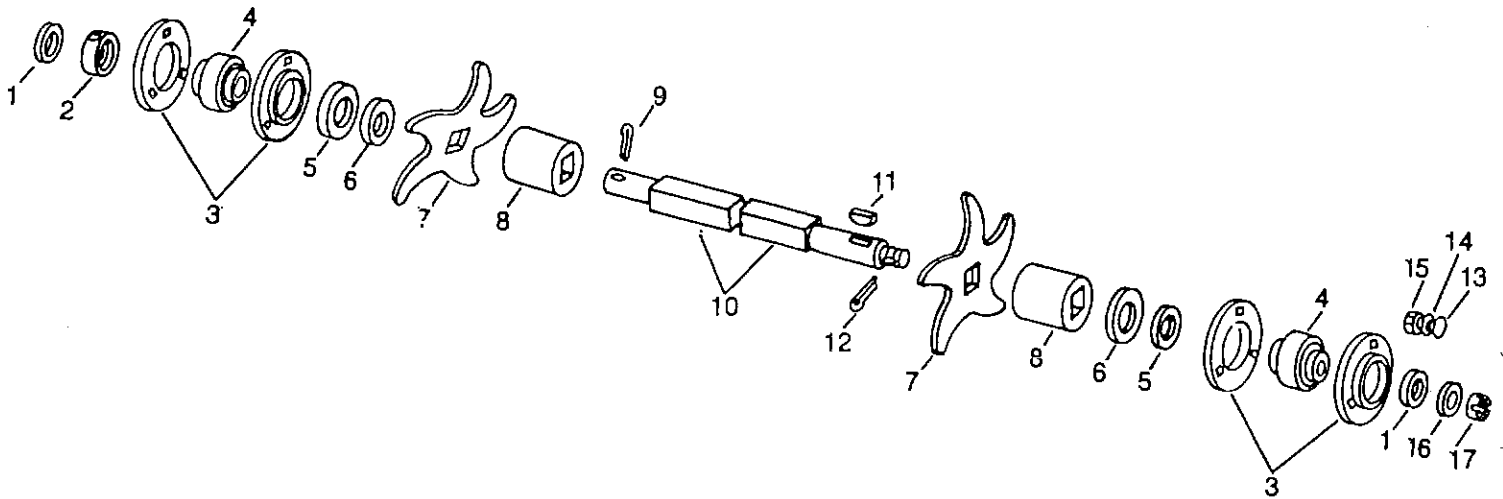
STAR WHEEL SHAFT NO.1 AND NO.3 #1 - JAN141132 #3 - JAN142656



NP828

ITEM	PART NUMBER	QTY	DESCRIPTION
1	J24H1512	-	WASHER, FLAT 1-13/32" x 2" x .030"
2	JJD8576	1	COLLAR, ECCENTRIC LOCKING
3	E281004	4	HOUSING, PRESSED FLANGED 3-BOLT
4	250110	2	BEARING, BALL 1-3/8" SOD
5	JN114719	-	WASHER FLAT 1-1/2" x 2-1/4" x .134"
6	JN143008	2	SPACER, STAR WHEEL 1-29/32" x 1-13/32"
7	JP730M	-	SUPPORT, SPRING
8	JN142503	36	STAR WHEEL
9	JN142238	35	SPACER, RUBBER 1-9/16" x 2-9/16"
10	003950	-	PIN, COTTER 3/16" x 2"
11	JN142325	1	SHAFT, STAR WHEEL NO. 1
12	J26H31	1	KEY, SHAFT 5/16" x 1-1/4"
13	124340	-	PIN, COTTER 3/16" x 1-1/2"
14	J24H1401	-	WASHER, FLAT 25/32" x 1-3/4" x .194"
15	170530	-	BOLT, SSN CRG 3/8" x 1"
16	021180	-	WASHER, LOCK 3/8"
17	027260	-	NUT, HEX 3/8"
18	020710	-	NUT, HEX SLOTTED 3/4"
19	JN147204	1	SHAFT, STAR WHEEL NO. 3
20	020400	1	KEY, SHAFT 5/16" x 2"
21	JN7477DN	1	KEY, 5/16" x 1-1/8"

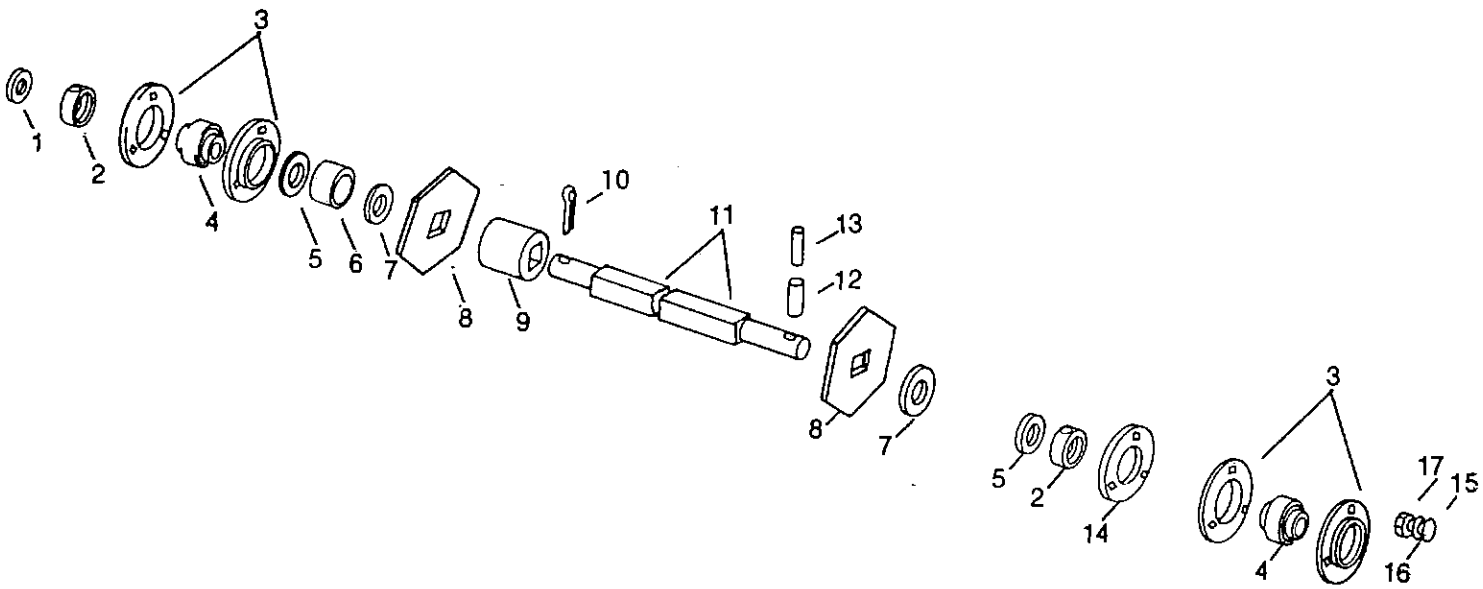
STAR WHEEL SHAFT NO.2 AND NO.4 #2 - JAN141133 #4 - JAN141135.



NPC29

ITEM	PART NUMBER	QTY	DESCRIPTION
1	J24H1512	-	WASHER, FLAT 1-13/32" x 2" x .030"
2	JJD8576	1	COLLAR, ECCENTRIC LOCKING
3	E281004	4	HOUSING, PRESSED FLANGED 3-BOLT
4	250110	2	BEARING, BALL 1-3/8" SOD
5	JN114719	-	WASHER, FLAT 1-1/2" x 2-1/4" x .134"
6	JP730M	-	SUPPORT, SPRING
7	JN142503	36	STARWHEEL
8	JN142238	36	SPACER, RUBBER 1-9/16" x 2-9/16"
9	003950	-	PIN, COTTER 3/16" x 2"
10	JN142325	1	SHAFT, STAR WHEEL NO.2 & NO.4
11	J26H31	1	KEY, SHAFT 5/16" x 1-1/4"
12	124340	-	PIN, COTTER 3/16" x 1-1/2"
13	170530	-	BOLT, SSN CRG 3/8" x 1"
14	021180	-	WASHER, LOCK 3/8"
15	027260	-	NUT, HEX 3/8"
16	J24H1401	-	WASHER, FLAT 25/32" x 1-3/4" x .194"
17	020710	-	NUT, HEX SLOTTED 3/4"

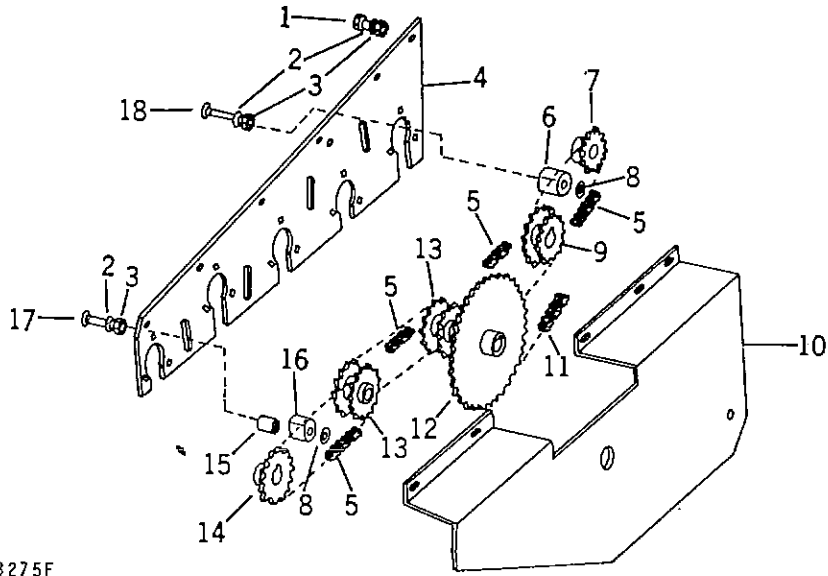
STAR WHEEL SHAFT NO. 5 - JAN141711



NP830

ITEM	PART NUMBER	QTY	DESCRIPTION
1	J24H1512	-	WASHER, FLAT 1-13/32" x 2" x .030"
2	JJD8576	1	COLLAR, ECCENTRIC LOCKING
3	E281004	4	HOUSING, PRESSED FLANGED 3-BOLT
4	250110	2	BEARING, BALL 1-3/8" SOD
5	JN114719	-	WASHER, FLAT 1-1/2" x 2-1/4" x .134"
6	JN143008	1	SPACER, STAR WHEEL
7	JP730M	-	SUPPORT, SPRING
8	JN142902	36	PLATE
9	JN142238	35	SPACER, RUBBER 1-9/16" x 2-9/16"
10	003950	-	PIN, COTTER 3/16" x 2"
11	JN144709	1	SHAFT, STAR WHEEL NO.5
12	J34H354	-	PIN, SPRING 3/8" x 1-7/8"
13	J34H304	-	PIN, SPRING 7/32" x 1-1/7"
14	JN142786	1	COLLAR, LOCKING
15	170530	-	BOLT, SSN CRG 3/8 x 1"
16	021180	-	WASHER, LOCK 3/8
17	027260	-	NUT, HEX 3/8"

STAR WHEEL BED DRIVE AND SHIELD

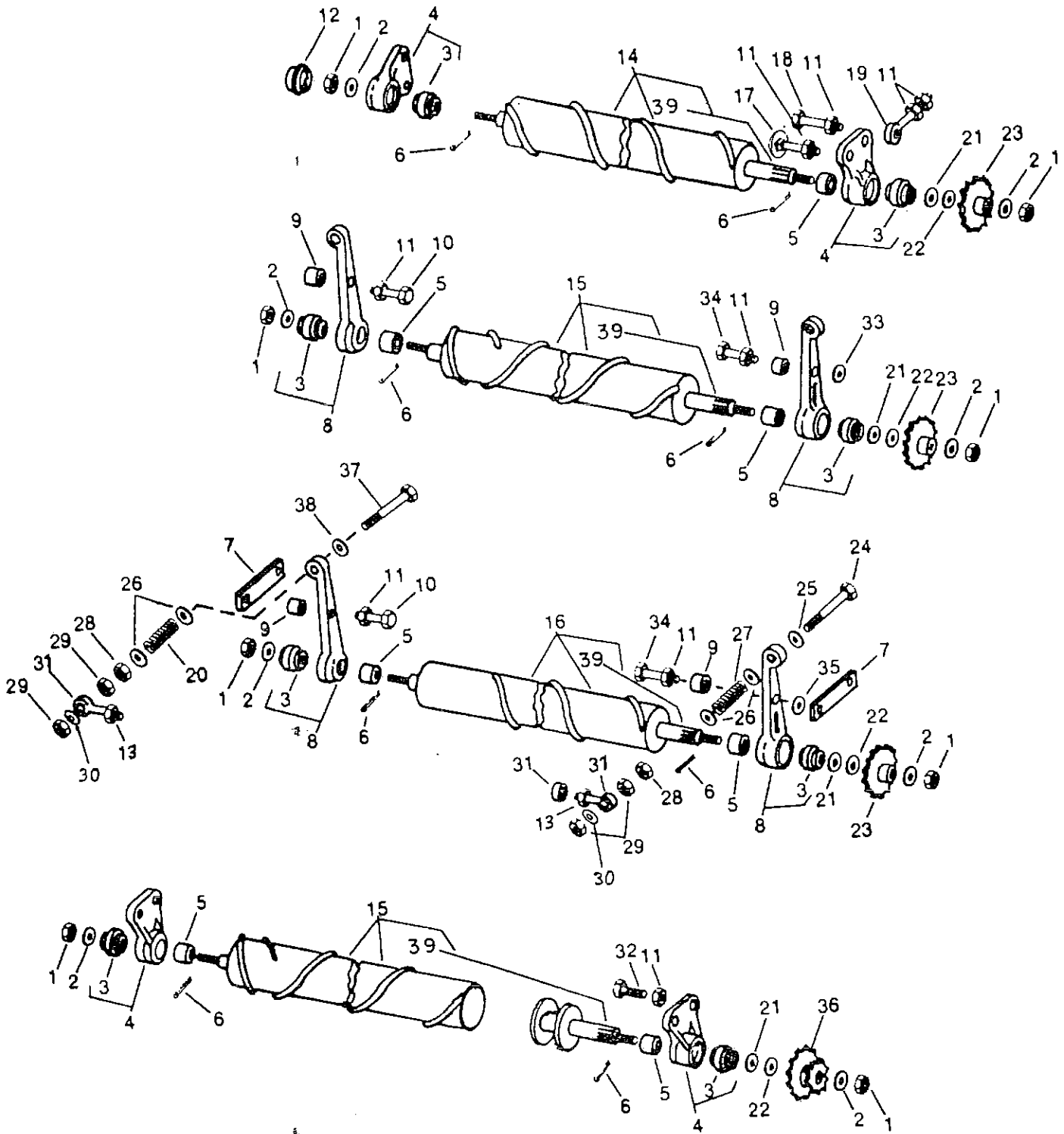


N33275F

ITEM	PART NUMBER	QTY	DESCRIPTION
1	031080	-	BOLT, HHCS 1/2" x 1"
2	005370	-	WASHER, LOCK 1/2"
3	005360	-	NUT, HEX 1/2"
4	JN142901	2	SHEET, STAR WHEEL
5	JAN141160	4	CHAIN, LINK 3/4P 43 LINKS
6	JN144706	1	TIGHTENER, TAKE-UP BLOCK
7	JAN141056	1	SPROCKET, CHAIN 14 TOOTH
8	I120396	-	WASHER, FLAT 17/32" x 1-1/16" x .090"
9	JAN141058	1	SPROCKET, CHAIN 16 & 25 TOOTH
10	JN144863	1	SHIELD, STAR WHEEL
11	JAN141161	1	CHAIN, LINK 3/4P 102 LINKS
12	JAN141057	1	SPROCKET, CHAIN 48 TOOTH
13	JAN140949	2	SPROCKET, CHAIN 16 & 18 TOOTH
14	JAN140948	1	SPROCKET, CHAIN 18 TOOTH
15	J28H1909	1	BUSHING, 1/2" x 13/16"
16	JJ16436	3	BLOCK, TAKE-UP
17	J03H2001	-	BOLT, SSN CRG 1/2" x 4"
18	J03H1594	-	BOLT, CRG 1/2" x 2-3/4"

NOTES

GRAB ROLLS AND BRACKETS

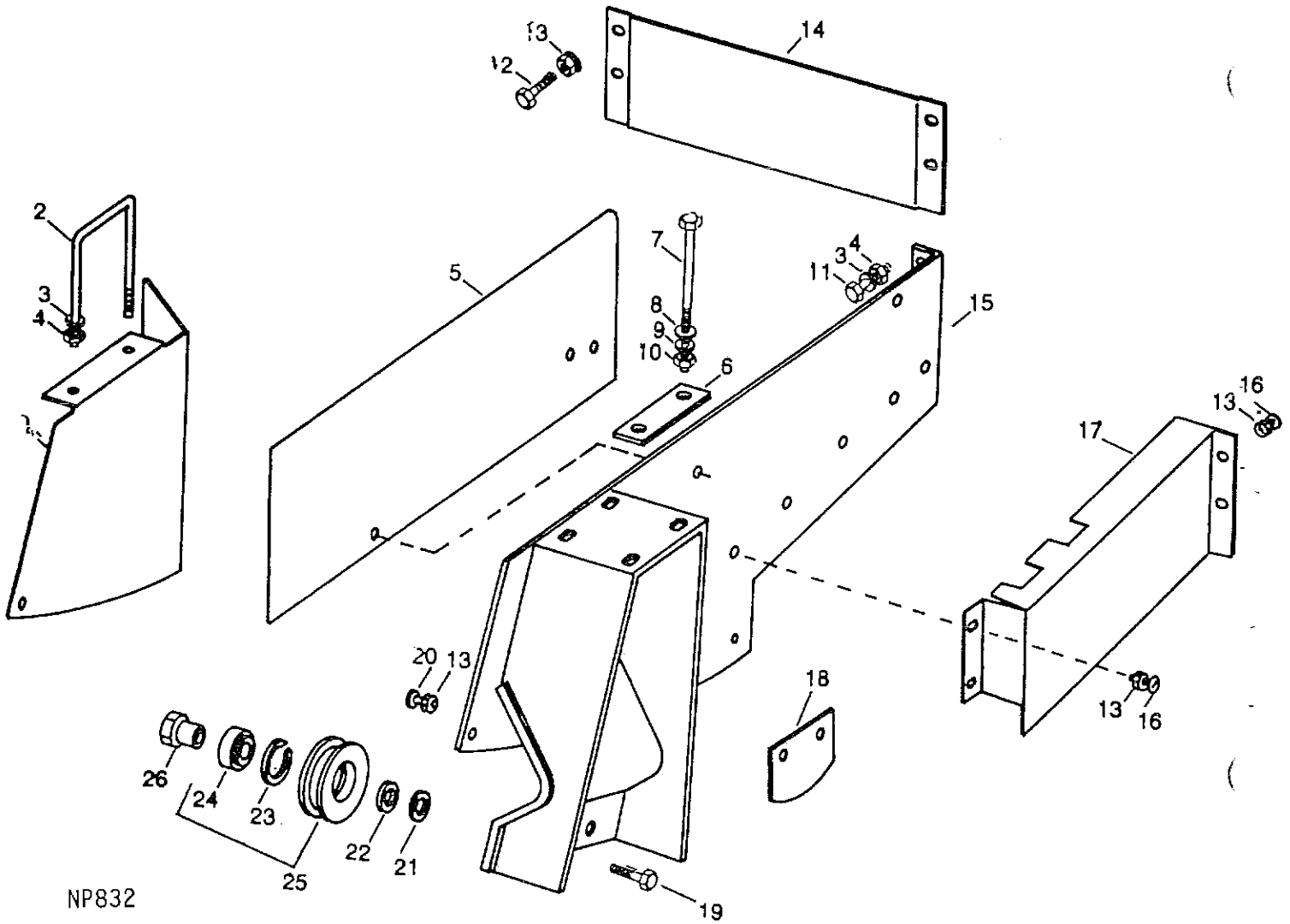


NP1194

GRAB ROLLS AND BRACKETS

ITEM	PART NUMBER	QTY	DESCRIPTION
1	020710	-	NUT, HEX SLOTTED 3/4"
2	J24H1401	-	WASHER, FLAT 25/32" x 1-3/4" x .194"
3	250110	8	BEARING, BALL 1-3/8" SOD
4	JAN141272	4	BEARING ASSY
5	JN142988	7	SPACER, GRABROLL 1-15/32" x 1-9/32"
6	124340	-	PIN, COTTER 3/16" x 1-1/2"
7	JN143944	2	STRAP, GRABROLL
8	JAN141271	1	BEARING ASSY
9	JN137069	4	SPACER, GAUGE WHEEL 21/32" x 1-7/32"
10	990850	-	BOLT, HHCS 5/8" x 2-3/4"
11	JK40015	-	NUT, LOCK 5/8"
12	169950	-	CAP, HUB
13	JK40016	-	NUT, HEX 3/4"
14	251690	1	GRAB ROLL, NO. 4
15	251670	1	GRAB ROLL, NO. 1 & 3
16	251680	1	GRAB ROLL, NO. 2
17	990760	-	BOLT, CRG 5/8" x 2-1/4"
18	J03H1857	-	BOLT, CRG 5/8" x 2-3/4"
19	JN144812	-	EYEBOLT, 5/8" x 5-1/2"
20	J23772	1	SPRING, COMPRESSION
21	J24H1511	-	WASHER, FLAT 1-13/32" x 1-3/4" x .060"
22	J24H1512	4	WASHER, FLAT 1-13/32" x 2" x .030"
23	JAN142706	1	SPROCKET, CHAIN 25 TOOTH
24	J08H4753	-	BOLT, HHCS 5/8" x 10-1/2"
25	J24H1367	-	WASHER, FLAT 21/32" x 1-1/4" x 1/4"
26	JC19791	8	RETAINER, SPRING
27	JC19787	3	SPRING, COMPRESSION
28	I19606R1	-	NUT, LOCK 5/8"
29	1121555	-	NUT, HEX JAM 5/8"
30	I131017	-	WASHER, FLAT 13/16" x 15/36" x .108"
31	251450	4	BOLT, SWING 3/4"
32	990620	-	BOLT, HHCS 5/8" x 2"
33	J24H1370	-	WASHER, FLAT 21/32" x 1-3/8" x .134"
34	I271729	-	BOLT, HHCS 5/8" x 3-1/2"
35	035210	-	WASHER, FLAT 21/32" x 1-5/16" x .090"
36	JAN142705	1	SPROCKET, CHAIN 16 & 25 TOOTH
37	J08H4785	-	BOLT, HHCS 5/8" x 12"
38	J24H1367	-	WASHER, FLAT 21/32" x 1-1/4" x 1/4"
39	251630	-	PLUG WELD, DRIVE END

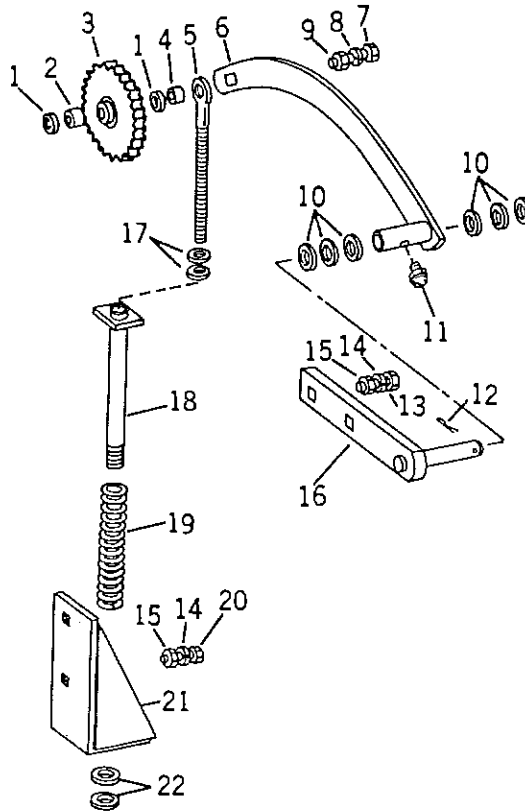
R.H. GRAB ROLL BRACKET AND ROTARY CONVEYOR SUPPORT



NP832

ITEM	PART NUMBER	QTY	DESCRIPTION
1	JN144817	1	RETAINER
2	JN141028	1	U-BOLT, 1/2"
3	005370	-	WASHER, LOCK 1/2"
4	005360	-	NUT, HEX 1/2"
5	JN144898	1	EXTENSION, R.H.
6	JN143038	2	STRAP, WHEEL MOUNTING
7	E672449	-	BOLT, HHCS 3/4" x 9-1/2"
8	I366112R1	-	WASHER, FLAT 25/32" x 1-1/4" x .105"
9	036800	-	WASHER, LOCK 3/4"
10	J14H794	-	NUT, HEX 3/4"
11	010730	-	BOLT, HHCS 1/2" x 1-1/4"
12	991080	-	BOLT, HHCS 3/8" x 2-3/4"
13	020180	-	NUT, HEX FLANGE LOCK 3/8"
14	JN147180	1	SHIELD, R.H.
15	JAN141735	1	SUPPORT, R.H. GRAB ROLL
16	JN14822	-	SCREW, SELF-LOCKING 3/8" x 3/4"
17	JN144838	1	SHIELD, GRAB ROLL R.H. SIDE
18	JN144839	1	STRAP
19	E672354	-	BOLT, HHCS 1" x 2"
20	JN10214	-	SCREW, SELF-LOCKING 3/8" x 1"
21	1107389	-	WASHER, FLAT 1-1/16" x 2" x .134"
22	JN144623	2	SPACER, 1-17/16" x 1/2"
23	JN123158	2	SNAP RING
24	JAN142665	2	BEARING, BALL 35MM
25	JAN141761	2	WHEEL ASSY, LOWER GUIDE
26	JN144757	2	NUT, WHEEL 1"

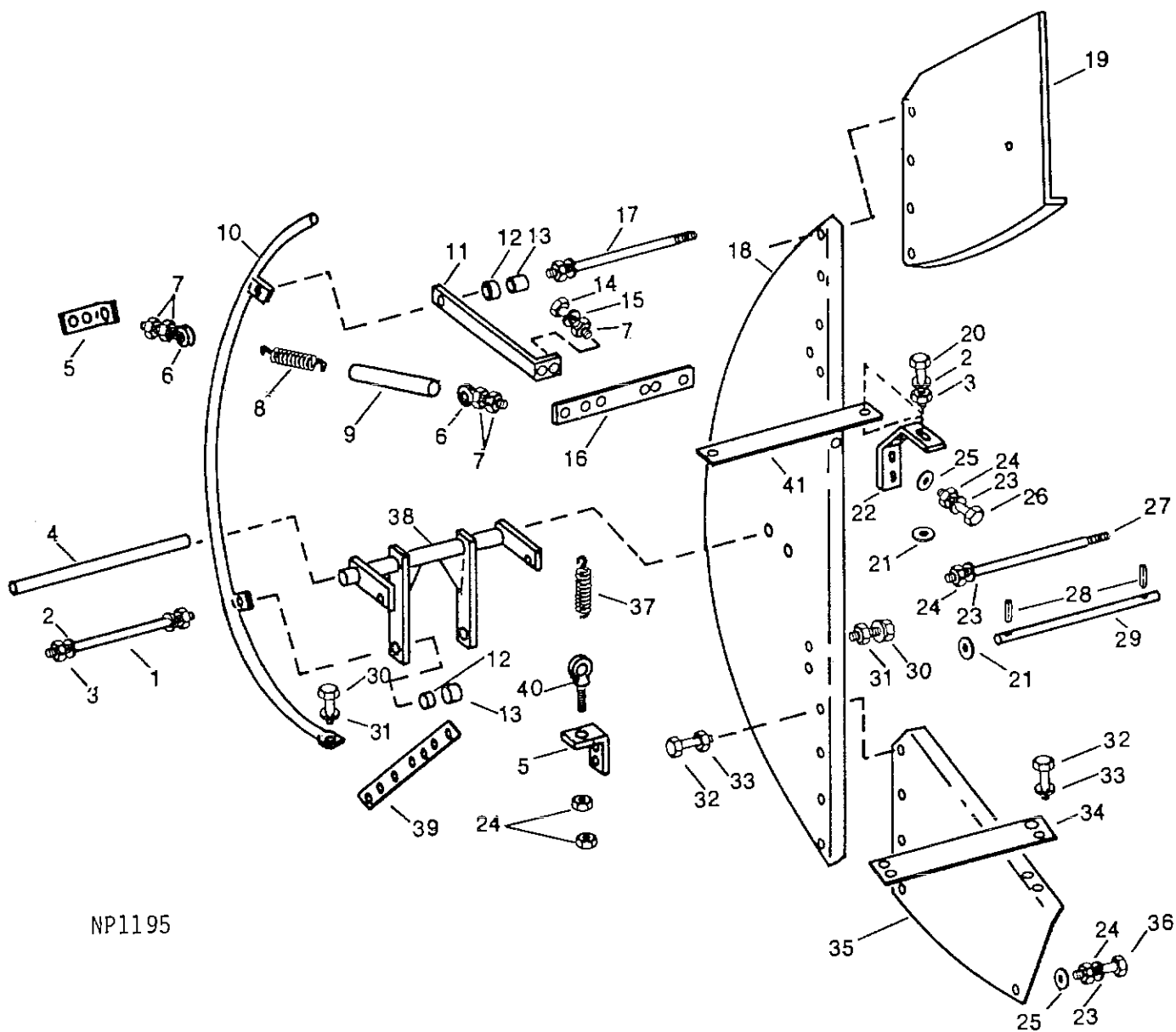
SPRING LOADED IDLER - JBN140197



W33657F

ITEM	PART NUMBER	QTY	DESCRIPTION
1	J24H1371	-	WASHER, FLAT 21/32" x 1-3/8" x .194"
2	JN147291	1	BUSHING, 21/32" x 5/8"
3	JAN142341	1	SPROCKET, CHAIN 8 TOOTH
4	JN7205DN	1	SPACER, 21/32" x 7/8"
5	JN146355	1	EYEBOLT, 3/4" x 14-1/2"
6	JAN142313	1	ARM ASSY, PIVOT
7	J03H1858	-	BOLT, CRG 5/8" x 3-1/2"
8	020440	-	WASHER, LOCK 5/8"
9	I124589	-	NUT, HEX 5/8"
10	003370	-	WASHER, FLAT 1-1/64" x 1-1/2" x .048"
11	049180	-	FITTING, LUBRICATION 1/4-28
12	124340	-	PIN, COTTER 3/16" x 1-1/2"
13	J03H1399	-	BOLT, CRG 5/8" x 1-3/4"
14	005370	-	WASHER, LOCK 1/2"
15	005360	-	NUT, HEX 1/2"
16	JAN142312	1	PIVOT ASSY, IDLER
17	J14H794	-	NUT, HEX 3/4"
18	JAN142300	1	TUBE ASSY, SPRING ADJUSTING
19	JN109877	1	SPRING, COMPRESSION
20	E096046	-	BOLT, CRG 1/2" x 1-1/2"
21	JAN142279	1	BRACKET ASSY, SPRING
22	1774107	-	NUT, HEX 1"

CONVEYOR WHEEL RETAINER

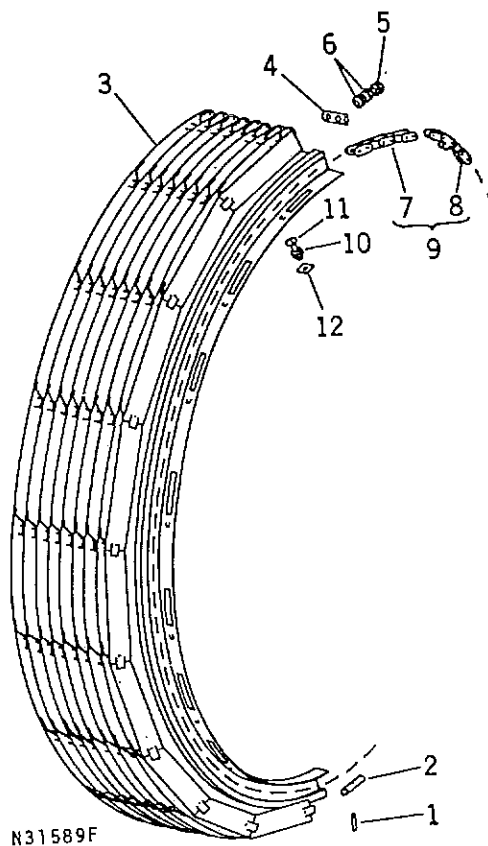


NP1195

CONVEYOR WHEEL RETAINER

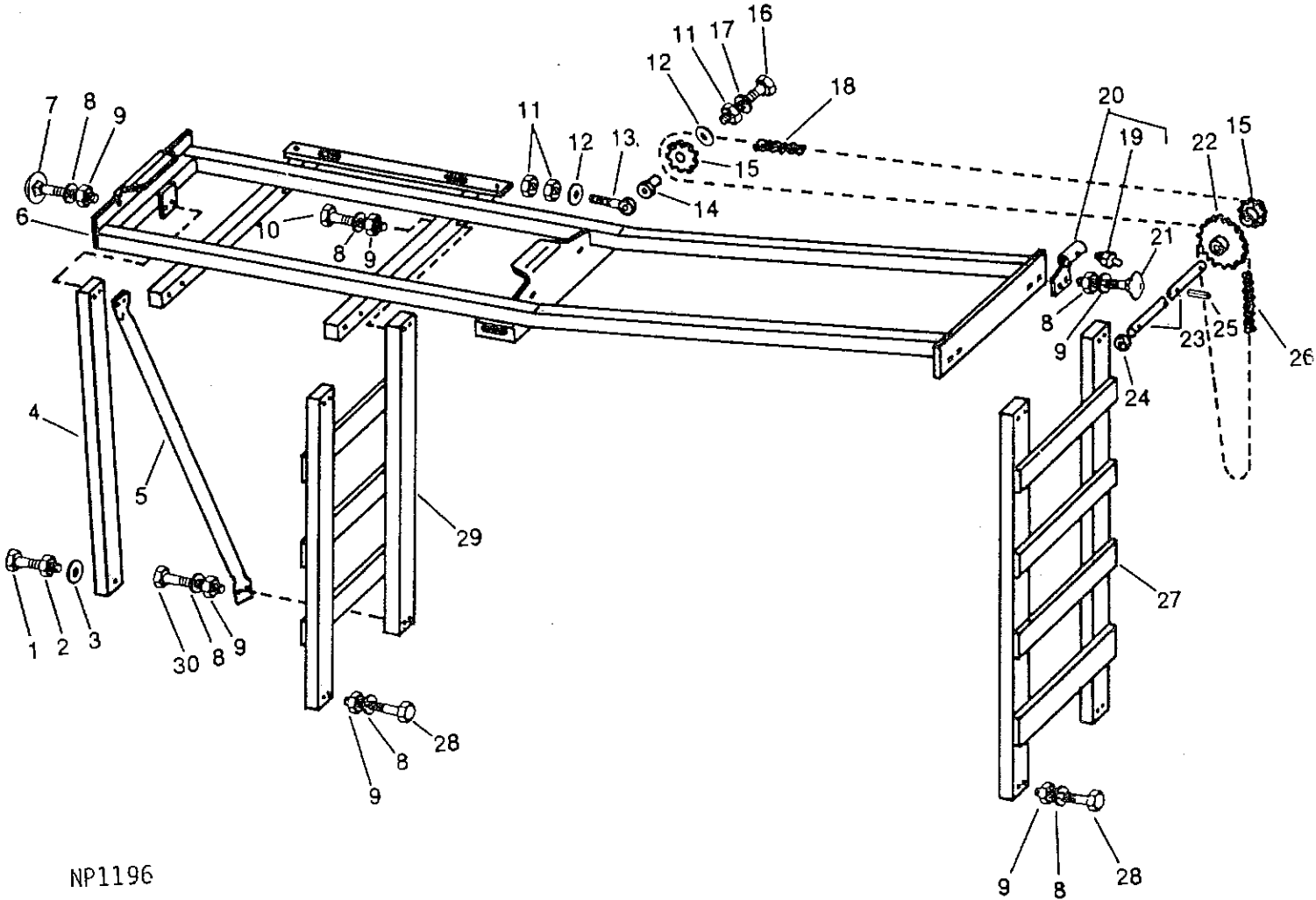
ITEM	PART NUMBER	QTY	DESCRIPTION
1	JN143982	1	STUD, 5/8" x 15-3/4"
2	020440	-	WASHER, LOCK 5/8"
3	I124589	-	NUT, HEX 5/8"
4	JN144641	2	SPACER, 9/16" x 18-63/64"
5	JN144004	4	CLIP
6	JN72223	-	EYEBOLT, 3/8" x 2-3/16"
7	027260	-	NUT, HEX 3/8"
8	JS136M	2	SPRING, EXTENSION
9	JN145162	2	SPACER, 1-1/2" x 12-13/32"
10	JAN141470	7	SLIDE ASSY, RETAINER
11	JN145632	2	BRACKET
12	J28H2570	4	SPACER, 3/4" x 1-3/8"
13	J28H2612	8	SPACER, 3/4" x 2"
14	006690	-	BOLT, HHCS 3/8" x 1-1/4"
15	021180	-	WASHER, LOCK 3/8"
16	JN144911	1	STRAP
17	JN144909	1	STUD, 5/8" x 18-1/2"
18	JN144643	1	SIDESHEET, RETAINER L.H.
19	JN144642	1	SIDESHEET, RETAINER R.H.
	JN144649	1	SIDESHEET, RETAINER UPPER L.H.
	JN144648	1	SIDESHEET, RETAINER UPPER R.H.
20	023110	1	BOLT, HHCS 5/8" x 2-1/2"
21	035210	-	WASHER, FLAT 21/32" x 1-5/16" x .090"
22	JN144650	-	BRACKET, RETAINER
23	005370	2	WASHER, LOCK 1/2"
24	005360	-	NUT, HEX 1/2"
25	I120396	-	WASHER, FLAT 17/32" x 1-1/16" x .090"
26	014770	-	BOLT, HHCS 1/2" x 1-1/2"
27	JN144644	-	STUD, 1/2" x 20-5/8"
28	012550	-	PIN, SPRING 1/4" x 1-1/4"
29	JN144672	-	PIN, STOP
30	JN10214	-	SCREW, SELF-LOCKING 3/8" x 1"
31	020180	-	NUT, HEX FLANGE LOCK 3/8"
32	JN10212	-	SCREW, SELF-LOCKING 5/16" x 3/4"
33	020190	-	NUT, HEX FLANGE LOCK 5/16"
34	JN144786	1	STRAP
35	JAN141730	1	SIDESHEET ASSY, L.H.
	JAN141694	1	SIDESHEET ASSY, R.H.
36	010730	-	BOLT, HHCS 1/2" x 1-1/4"
37	JM2118T	2	SPRING, EXTENSION
38	JAN141468	1	PIVOT ASSY, RETAINER
39	JN144654	2	STRAP
40	E095122	-	EYEBOLT, 1/2" x 3-3/4"
41	JN146513	1	STRAP, RETAINER

CONVEYOR WHEEL



ITEM	PART NUMBER	QTY	DESCRIPTION
1	J34H280	-	PIN, SPRING 3/16" x 7/8"
2	JN144790	16	CONNECTOR
3	JAN141738	2	WHEEL ASSY, HALF
4	JN145108	8	STRAP, ROCKER
5	J19H2969	-	BOLT, HHCS 5/8" x 3-1/2"
6	1121555	-	NUT, HEX JAM 5/8"
7		-	
8	JAN141870	19	CHAIN, LINK K19 FOR CA550
9	JAN141699	1	CHAIN, LINK CA550 266P
10	020190	-	NUT, HEX FLANGE LOCK 5/16"
11	J03H2106	-	BOLT, SSN CRG 5/16" x 7/8"
12	JN144807	1	BLOCK, REPLACEMENT
13	JN144693	1	ROD, BUCKET

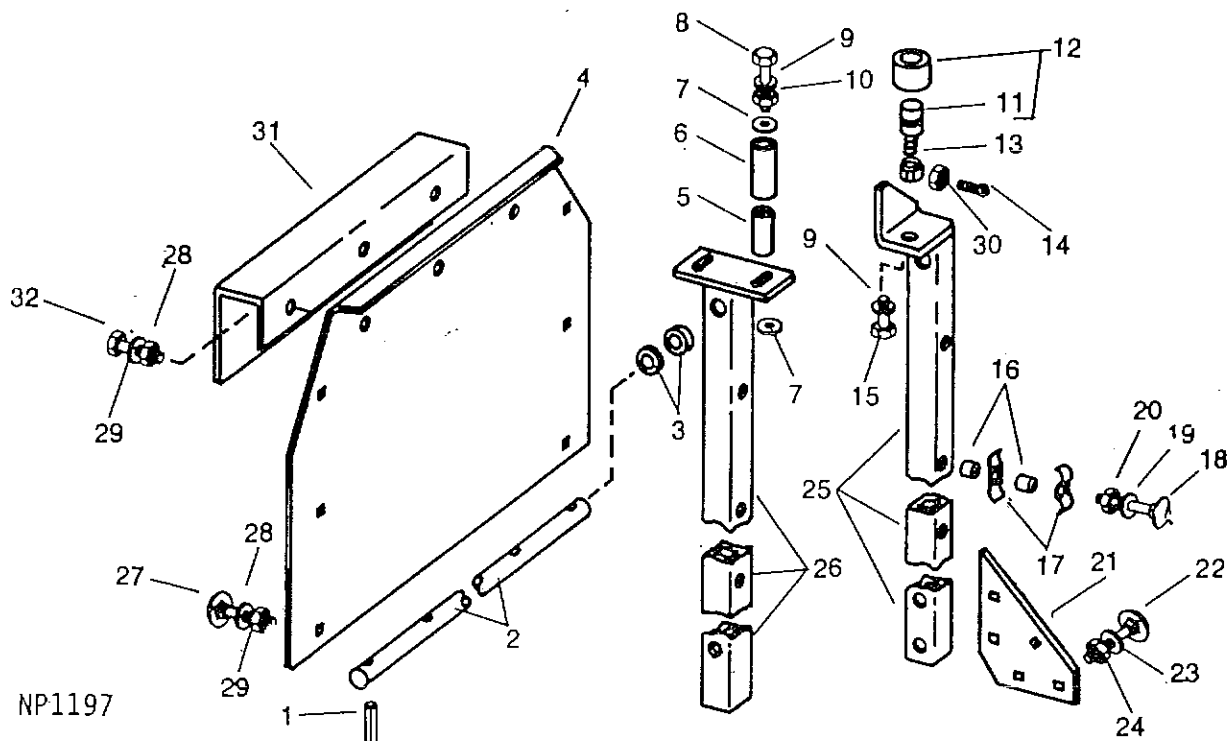
TRUCK CONVEYOR TRACK AND SUPPORTS



NP1196

ITEM	PART NUMBER	QTY	DESCRIPTION
1	1770608	-	BOLT, HHCS 1/2" x 3-1/2"
2	JK40014	-	NUT, LOCK 1/2"
3	J24H1344	-	WASHER, FLAT 17/32" x 1-5/8" x 1/4"
4	JN144697	1	TUBE, SUPPORT R.H.
5	JN144754	1	BRACE, TRUCK CONVEYOR
6	JAN141671	1	TRACK ASSY
7	J03H1852	-	BOLT, CRG 1/2" x 4"
8	005370	-	WASHER, LOCK 1/2"
9	005360	-	NUT, HEX 1/2"
10	160350	-	BOLT, HHCS 1/2" x 5"
11	1124589	-	NUT, HEX 5/8"
12	035210	-	WASHER, FLAT 21/32" x 1-5/16" x .090"
13	JN144812	-	EYEBOLT, 5/8" x 5-1/2"
14	JN144831	1	SPACER, 21/32" x 1-7/8"
15	JAN141745	2	SPROCKET, CHAIN 8 TOOTH
16	990670	-	BOLT, HHCS 5/8" x 3-3/4"
17	020440	-	WASHER, LOCK 5/8"
18	JAN141746	1	CHAIN, LINK 1DBLP 177 LINKS
19	049180	-	FITTING, LUBRICATION 1/4-28
20	JAN141743	2	SUPPORT ASSY, SHAFT
21	J03H2001	-	BOLT, SSN CRG 1/2" x 4"
22	JAN141744	1	SPROCKET, CHAIN 20 TOOTH
23	JN144832	1	SHAFT
24	JN60951	1	SPACER, PIVOT 29/32" x 1/2"
25	E580050	-	PIN, SPRING, 1/4" x 1-1/2"
26	JAN141747	1	CHAIN, LINK 1DBLP 167 LINKS
27	JAN141673	1	SUPPORT ASSY, L.H.
28	041410	-	BOLT, HHCS 1/2" x 3-1/4"
29	JAN141672	1	SUPPORT ASSY, R.H.
30	031870	-	BOLT, HHCS 1/2" x 3-3/4"

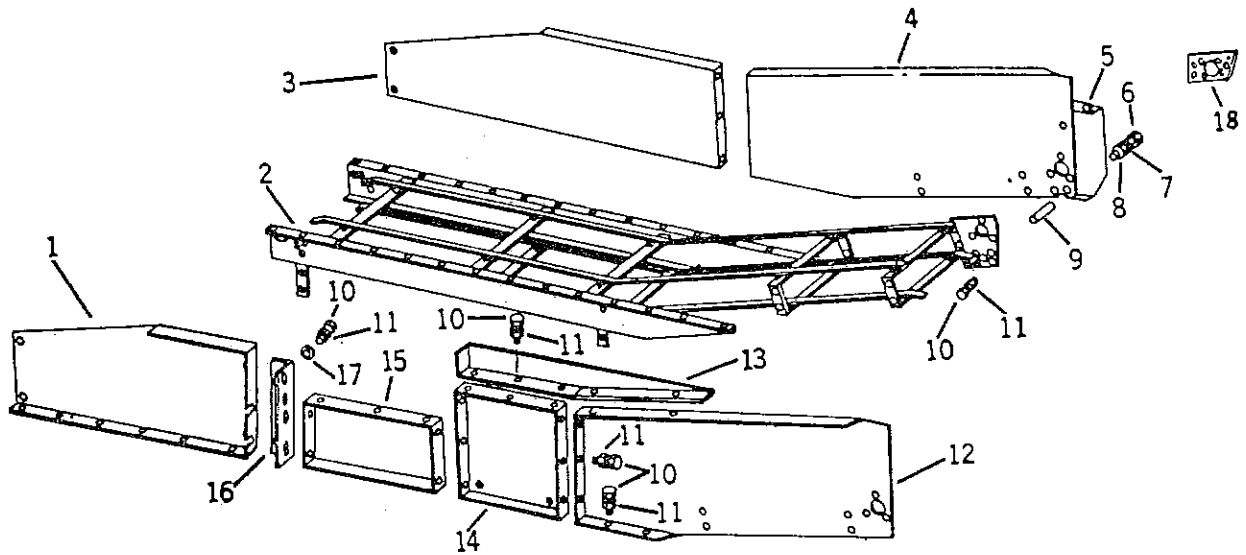
TOP WHEEL CONVEYOR RETAINER



NP1197

ITEM	PART NUMBER	QTY	DESCRIPTION
1	J34H334	-	PIN, SPRING 5/16" x 2"
2	JN144860	-	PIN, 1" x 38-29/32"
3	J24H1462	-	WASHER, FLAT 1-1/16" x 1-1/2" x .060"
4	JN144656	1	PLATE, BACK STOP
5	JN144798	1	TRUNION, WHEEL RETAINER
6	JN144799	1	ROLLER, WHEEL RETAINER
7	035210	-	WASHER, FLAT 21/32" x 1-5/16" x .090
8	031490	-	BOLT, HHCS 5/8" X 5"
9	020440	-	WASHER, LOCK 5/8"
10	I124589	-	NUT, HEX 5/8"
11	JAN131668	1	BEARING, WATER PUMP BALL
12	JAN141787	1	ROLLER ASSY, WHEEL RETAINER
13	JN137475	1	SLEEVE, GAUGE WHEEL
14	J22H1041	-	SCREW, SQ. HD. SET 3/8" x 5/8"
15	990600	-	BOLT, HHCS 5/8" x 1-1/4"
16	J28H1518	-	WASHER, FLAT .493" x .675" x 5/16"
17	JN185041	4	CLAMP, HOSE
18	J03H1827	-	BOLT, CRG 5/16" x 3-1/2"
19	023620	-	WASHER, LOCK 5/16"
20	023630	-	NUT, HEX 5/16"
21	JN144655	-	GUSSET, BACK STOP
22	J03H1598	-	BOLT, HHCS 1/2" x 3-1/4"
23	005370	-	WASHER, LOCK 1/2"
24	005360	-	NUT, HEX 1/2"
25	JAN141709	1	BRACKET, WHEEL RETAINER L.H.
26	JAN142008	1	BRACKET, WHEEL RETAINER R.H.
27	035540	-	BOLT, CRG 3/8" x 2-3/4"
28	021180	-	WASHER, LOCK 3/8"
29	027260	-	NUT, HEX 3/8"
30	I124829	-	NUT, HEX JAM 3/8"
31	JN145597	1	SHIELD
32	012260	-	BOLT, HHCS 3/8" x 1"

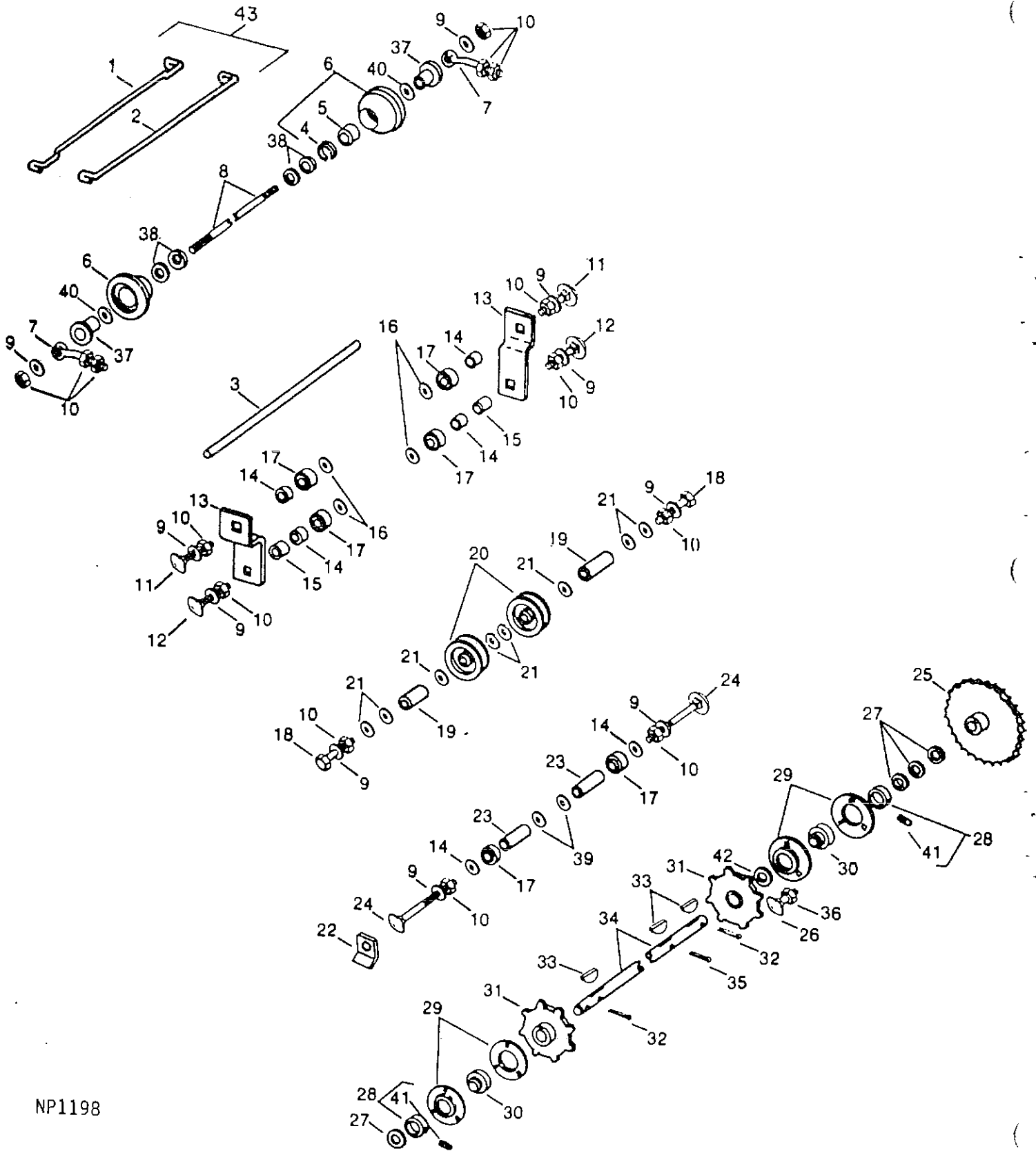
TRUCK CONVEYOR FRAME AND SHIELDS



N31616F

ITEM	PART NUMBER	QTY	DESCRIPTION
1	JN144590	1	PANEL, REAR L.H.
2	JAN142708	1	FRAME ASSY, TRUCK CONVEYOR
3	JN144591	1	PANEL, FRONT L.H.
4	JN147303	1	PANEL, FRONT R.H.
5	JN147302	1	SHIELD
6	J03H1516	-	BOLT, CRG. 5/8" x 3-3/4"
7	020440	-	WASHER, LOCK 5/8"
8	I124589	-	NUT, HEX 5/8"
9	JN147304	1	SPACER, 5/8" x 2-1/8"
10	JN14822	-	SCREW, SELF-LOCKING 3/8" x 3/4"
11	020180	-	NUT, LOCK HEX FLANGE 3/8"
12	JN144596	1	PANEL, REAR R.H.
13	JN144766	1	EXTENSION, FOR USE W/O HEIGHT RAMP
14	JN144592	1	PANEL, CENTER REAR
15	JN144598	1	PANEL, CENTER REAR, FOR USE W/O HEIGHT RAMP
	JN144861	1	PANEL, CENTER REAR, FOR USE W/ HEIGHT RAMP
16	JN144902	2	FILLER, LOADER
17	I120394	-	WASHER, FLAT 13/32" x 13/16" x .060"
18	JN147301	1	PLATE, MOTOR MOUNT

TRUCK CONVEYOR, CHAIN LINKS SPROCKET AND BEARINGS

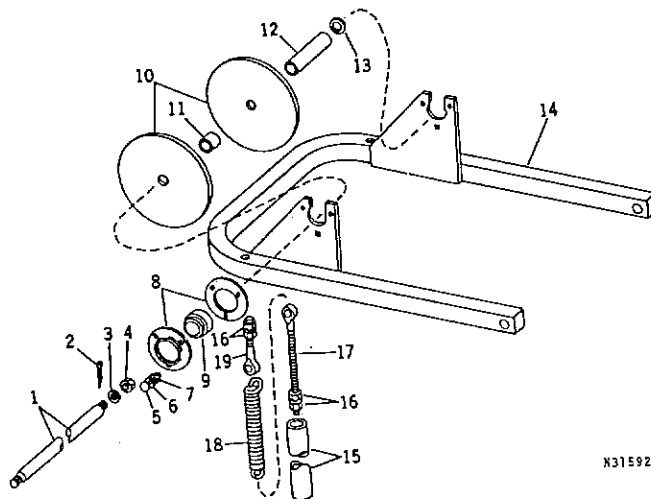


NP1198

TRUCK CONVEYOR, CHAIN LINKS, SPROCKET AND BEARINGS

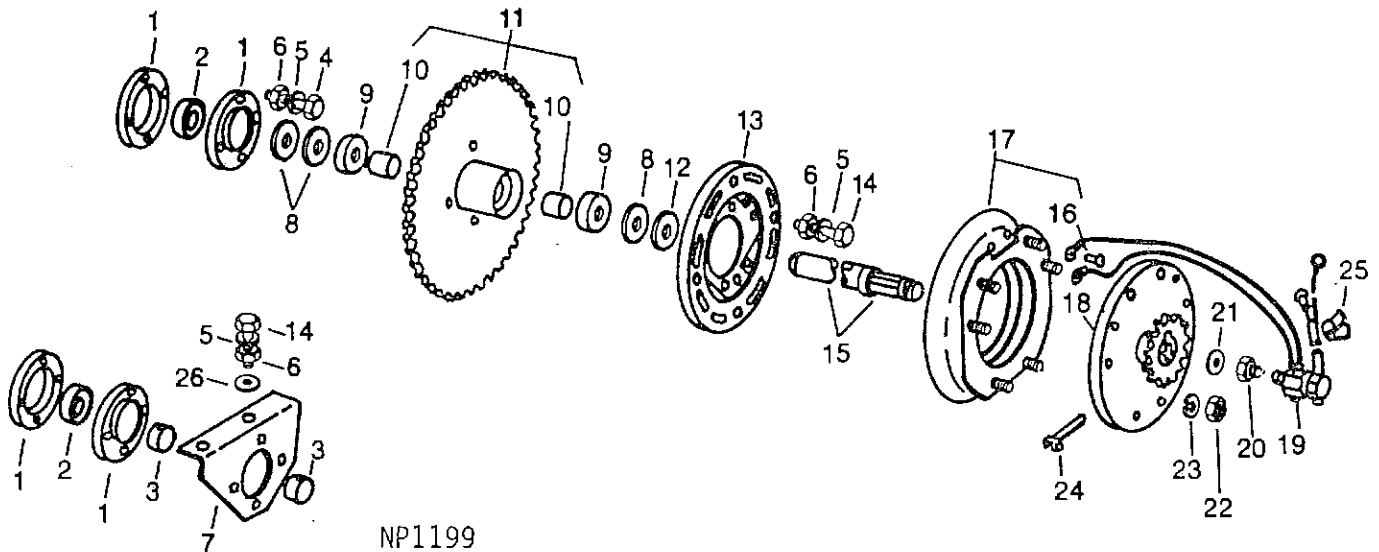
ITEM	PART NUMBER	QTY	DESCRIPTION
1	JN72037	23	LINK, OFFSET ELEVATOR
2	JN70317	114	LINK, ELEVATOR
3	J28H3344	1	SPACER, 3/4" x 23-1/2"
4	JN123156	2	SNAP RING
5	JJD9353	2	BEARING, BALL 1" HEX
6	JAN142153	2	ROLLER ASSY, HEX BORE
7	JN5044DN	-	EYEBOLT, 5/8" X 6-1/4"
8	JN71525	1	SHAFT, IDLER
9	020440	-	WASHER, LOCK 5/8"
10	I124589	-	NUT, HEX 5/8"
11	990660	-	BOLT, CRG 5/8" x 3-1/4"
12	J03H1786	-	BOLT, CRG 5/8" x 4-1/2"
13	JN144758	2	BRACKET, CONVEYOR CHAIN
14	J28H2515	6	SPACER, 3/4" x 3/4"
15	J28H1922	2	SPACER, 3/4" x 1"
16	J24H1367	-	WASHER, FLAT 21/32" x 1-1/4" x 1/4"
17	JJD8646	6	BEARING, BALL 16MM
18	I271732	-	BOLT, HHCS 5/8" x 4-1/4"
19	J28H2627	1	SPACER, 3/4" x 2-1/4"
20	247100	8	ROLLER, RUBBER
21	035210	-	WASHER, FLAT 21/32" x 1-5/16" x .090"
22	JN144859	2	GUIDE, TRUCK CONVEYOR
23	JN130537	2	SPACER
24	J03H1878	-	BOLT, CRG 5/8" x 6-1/2"
25	JAN142249	1	SPROCKET, 42-TOOTH
26	170530	-	BOLT, SSN CRG 3/8" x 1"
27	I608700R1	-	WASHER, FLAT 1-9/32" x 2" x .060"
28	1795007	2	COLLAR, ECCENTRIC LOCKING
29	E281004	4	HOUSING, PRESSED FLANGED 3-BOLT
30	250130	2	BEARING, BALL 1-1/4" SOD
31	JAN141223	2	SPROCKET, DRIVE 8-TOOTH
32	I137258	-	PIN, COTTER 3/16" x 1-3/4"
33	J26H23	3	KEY, SHAFT 5/16" x 1"
34	JN142755	1	SHAFT, CHAIN SPROCKET
35	E580041	-	PIN, COTTER 3/16" x 2-1/2"
36	020180	-	NUT, LOCK 3/8"
37	JN145984	-	SPACER, CONVEYOR BEARING 21/32" x 1-1/4"
38	J24H1626	-	WASHER, FLAT 21/32" x 2" x .060"
39	J24H1364	-	WASHER, FLAT 21/32" x 15/16" x .036"
40	J24H1454	-	WASHER, FLAT 1-1/32" x 2" x .060"
41			
42	JN108302	-	TUBE, PIVOT
43	250200	3	CHAIN LINK ASSY

STRIPPER AND MOUNTING



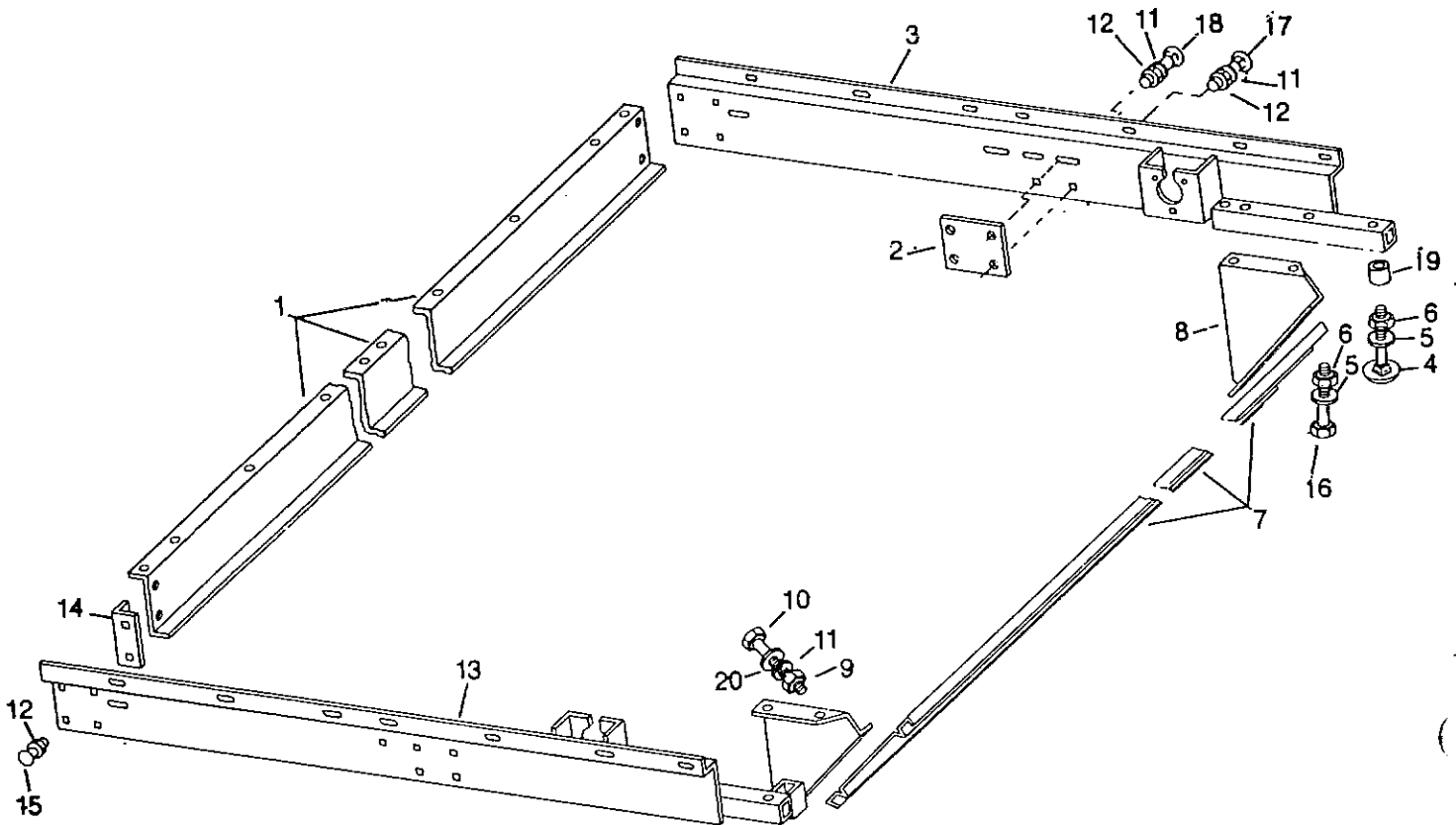
ITEM	PART NUMBER	QTY	DESCRIPTION
1	JN144895	-	SHAFT, ROTARY STRIPPER
2	124340	-	PIN, COTTER 3/16" x 1-1/2"
3	J24H1401	-	WASHER, FLAT 25/32" x 1-3/4" x .194"
4	020710	-	NUT, HEX SLOTTED 3/4"
5	170530	-	BOLT, SSN CRG 3/8" x 1"
6	021180	-	WASHER, LOCK 3/8"
7	027260	-	NUT, HEX 3/8"
8	E281004	4	HOUSING, PRESSED FLANGED 3-BOLT
9	250120	2	BEARING, BALL 1-3/8" SOD
10	JN144896	-	DISC, ROTARY STRIPPER
11	JN144893	8	SPACER, SHORT 1-33/64" x 1-3/4"
12	JN144894	2	SPACER, LONG 1-33/64" x 7-5/32"
13	J24H1512	-	WASHER, FLAT 1-13/32" x 2" x .030"
14	JAN141693	1	STRIPPER ASSY
15	JN144753	2	TUBE, STOP
16	005360	-	NUT, HEX 1/2"
17	JN144752	-	EYEBOLT, 1/2" x 8"
18	JL877C	1	SPRING, TENSION
19	JN6218DN	-	EYEBOLT, 1/2" x 4-5/8"

ELECTROMAGNETIC CLUTCH AND BRACKET



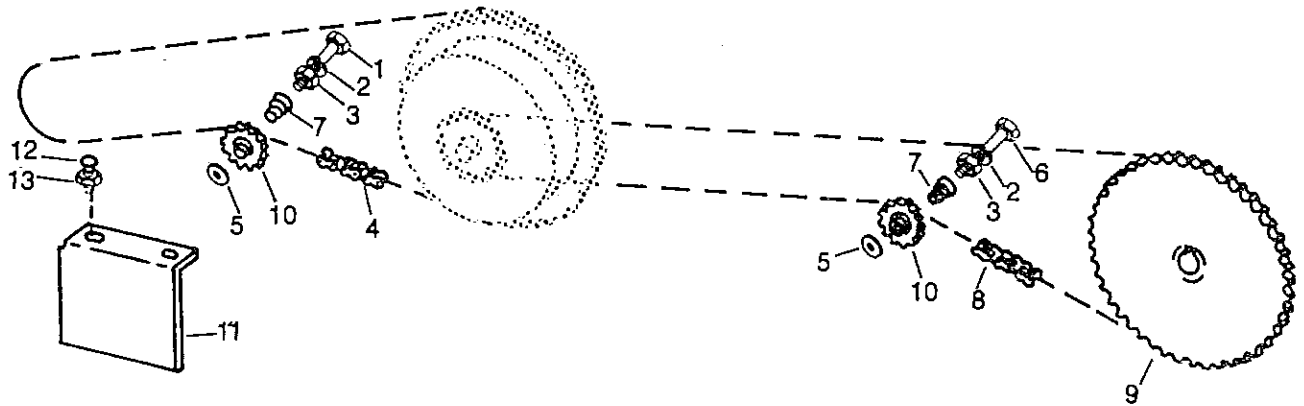
ITEM	PART NUMBER	QTY	DESCRIPTION
1	JE62484	4	HOUSING, PRESSED FLANGED 4-BOLT
2	250160	2	BEARING, BALL 1-1/2" SOD
3	I455112R11	2	COLLAR, ECCENTRIC LOCKING
4	030470	-	BOLT, SSN CRG 1/2" x 1-1/4"
5	005370	-	WASHER, LOCK 1/2"
6	005360	-	NUT, HEX 1/2"
7	JN144729	1	BRACKET
8	JN2018M	-	WASHER, FLAT 1-17/32" x 2-5/8" x .060"
9	JAH583R	2	SEAL, OIL
10	JF2930R	2	BUSHING, 1-1/2" x 1-1/8"
11	JAN141755	1	SPROCKET, CHAIN
12	J24H1541	-	WASHER, FLAT 1-17/32" x 2-5/8" x .036"
13	E035004	1	ARMATURE
14	014770	-	BOLT, HHCS 1/2" x 1-1/2"
15	JAN141006	1	SHAFT ASSY, CLUTCH
16	JAH90781	1	FIELD WINDING COIL
17	JAN141007	1	SPROCKET, DRIVE
18	JAH107036	1	HOLDER, CARBON BRUSH
19	JH82620	-	NUT, LOCK NYLON 1-1/4"
20	I608700R1	-	WASHER, FLAT 1-9/32" x 2" x .060"
21	027260	-	NUT, HEX 3/8"
22	021180	-	WASHER, LOCK 3/8"
23	149670	1	TIE, NYLON CABLE
24	JAH78237	1	CLIP, INSULATED
25	I178373R1	-	WASHER, FLAT 17/32" x 1" x .060"
26		-	

TANK SUPPORT



ITEM	PART NUMBER	QTY	DESCRIPTION
1	JN142942	1	SUPPORT, TANK REAR
2	JN143025	4	PLATE, SPACER
3	JAN141091	1	SUPPORT, TANK L.H.
4	J03H1787	-	BOLT, CRG 5/8" x 5"
5	020440	-	WASHER, LOCK 5/8"
6	1124589	-	NUT, HEX 5/8"
7	JN144887	1	BAFFLE, ISOLATOR
8	JN144797	1	SUPPORT, L.H.
9	JN144796	1	SUPPORT, R.H.
10	031080	-	BOLT, HHCS 1/2" x 1"
11	005370	-	WASHER, LOCK 1/2"
12	005360	-	NUT, HEX 1/2"
13	JAN141090	1	SUPPORT, TANK R.H.
14	JN142507	4	ANGLE
15	005390	-	BOLT, CRG 1/2" x 1"
16	990650	-	BOLT, HHCS 5/8" x 3"
17	156850	-	BOLT, SSN CRG 1/2" x 1-1/2"
18	025390	-	BOLT, CRG 1/2" x 1-3/4"
19	J28H1580	2	SPACER 3/4" x 1-13/16"
20	1120396	-	WASHER, FLAT 17/32" x 1-1/16" x .090"

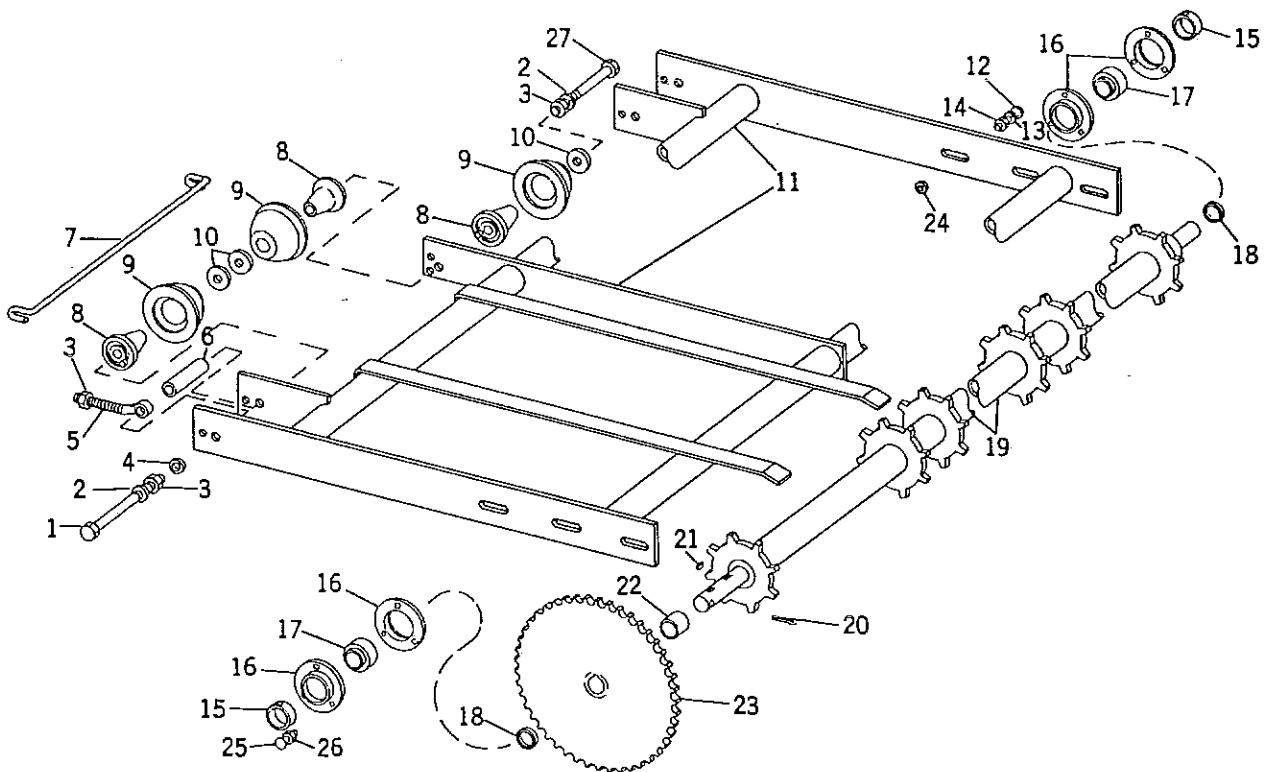
TANK DRIVE CHAIN AND SPROCKET



NP835

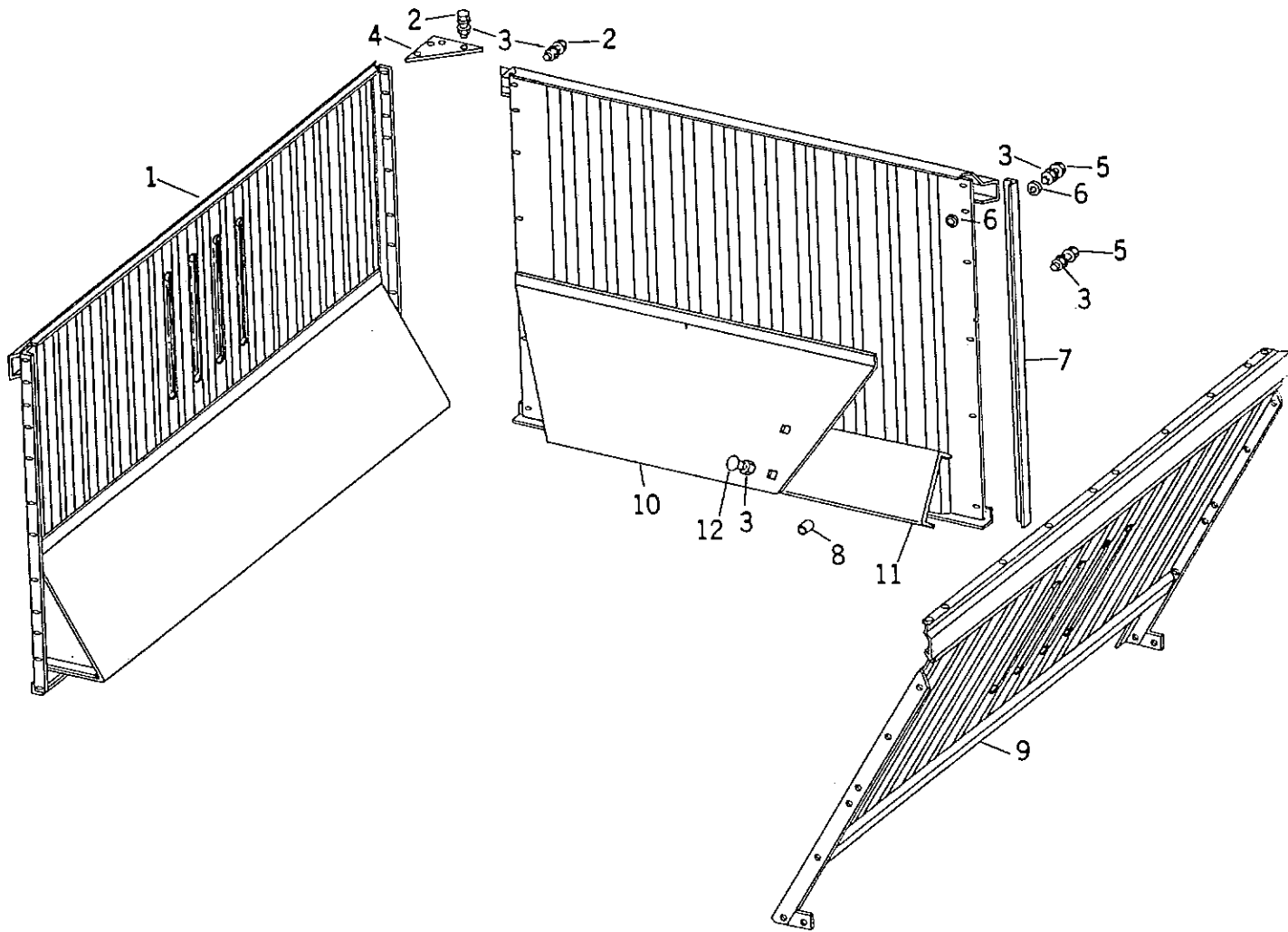
ITEM	PART NUMBER	QTY	DESCRIPTION
1	005210	-	BOLT, CRG 1/2" x 2-1/4"
2	005370	-	WASHER, LOCK 1/2"
3	005360	-	NUT, HEX 1/2"
4	JAN141773	1	CHAIN, LINK 3/4"P 100 LINKS
5	I178373R1	-	WASHER, FLAT 17/32" x 15/16" x .060"
6	005210	-	BOLT, CRG 1/2" x 2-1/4"
7	JN10077	1	SLEEVE, IDLER 5/8" x 1"
8	JAN141772	1	CHAIN, LINK 3/4"P 159 LINKS
9	JAN141087	1	SPROCKET, CHAIN 65-TOOTH
10	JAN31211	2	SPROCKET, CHAIN IDLER 15-TOOTH
11	JN147294	1	SHIELD
12	JN14822	-	SCREW, SELF-LOCKING 3/8" x 3/4"
13	020180	-	NUT, LOCK HEX FLANGE 3/8"

TANK CHAIN BED



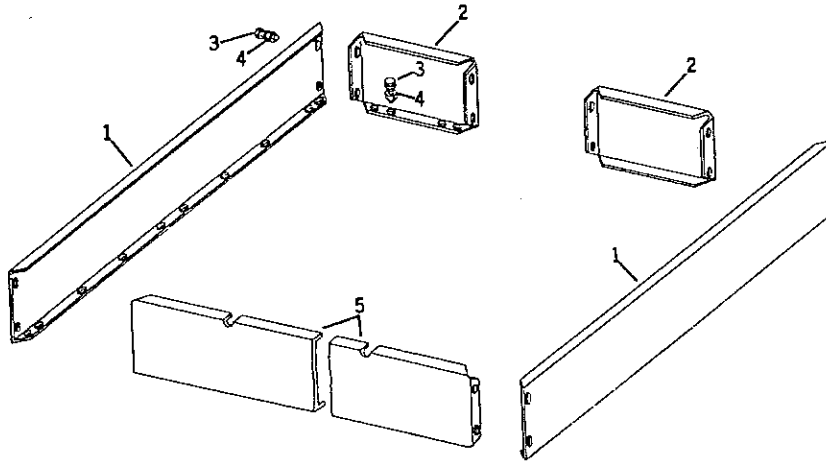
ITEM	PART NUMBER	QTY	DESCRIPTION
1	E672074	-	BOLT, HHCS 5/8" x 10"
2	020440	-	WASHER, LOCK 5/8"
3	I124589	-	NUT, HEX 5/8"
4	035210	-	WASHER, FLAT 21/32" x 1-5/16" x .090"
5	JN5044DN	-	EYEBOLT, 5/8" x 6-1/4"
6	JN170771	1	BUSHING, PIVOT 41/64" x 4-9/32"
7	JN70317	153	LINK, ELEVATOR
8	JN72679	6	STUD, CONE ROLLER
9	JN72097	6	CONE, ROLLER
10	JR20135	-	WASHER, FLAT 23/32" x 2-1/4" x .250"
11	JAN140993	1	SLIDE ASSY, TANK
12	156850	-	BOLT, SSN CRG 1/2" x 1-1/2"
13	005370	-	WASHER, LOCK 1/2"
14	005360	-	NUT, HEX 1/2"
15	JJD8576	2	COLLAR, ECCENTRIC LOCKING
16	E281004	4	HOUSING, PRESSED FLANGED 3-BOLT
17	250120	1	BEARING, BALL 1-3/8" SOD
18	J24H1511	-	WASHER, FLAT 1-13/32" x 1-3/4" x .060"
19	JAN141089	1	SHAFT ASSY
20	I137258	-	PIN, COTTER 3/16" x 1-3/4"
21	JN7477DN	1	KEY, SHAFT 5/16" x 1-1/8"
22	JN143074	1	SPACER, 1-7/16" x 1-1/6"
23	JAN141087	1	SPROCKET, CHAIN 65-TOOTH
24	I120396	-	WASHER, FLAT 17/32" x 1-1/16" x .090"
25	170530	-	BOLT, SSN CRG 3/8" x 1"
26	020180	-	NUT, LOCK HEX FLANGE 3/8"
27	144330	-	BOLT, HHCS 5/8" x 8"

TANK PANELS AND BRACES



ITEM	PART NUMBER	QTY	DESCRIPTION
1	JAN140997	1	PANEL, REAR
2	JN10214	-	SCREW, SELF-LOCKING 3/8" x 1"
3	020180	-	NUT, LOCK FLANGE 3/8"
4	JN71574	4	BRACE, CORNER
5	018150	-	BOLT, HHCS 3/8" x 1-3/4"
6	J24H1308	-	WASHER, FLAT 13/32" x 1" x .134"
7	JN142486	2	ANGLE, TANK CORNER
8	J28H1884	2	SPACER, PIPE 3/8" x 1/2"
9	JAN141080	1	PANEL, TANK FRONT
10	JAN140999	1	PANEL, L.H.
	JAN140998	1	PANEL, R.H.
11	JN143444	1	CHANNEL, TANK
12	170530	-	BOLT, SSN CRG 3/8" x 1"

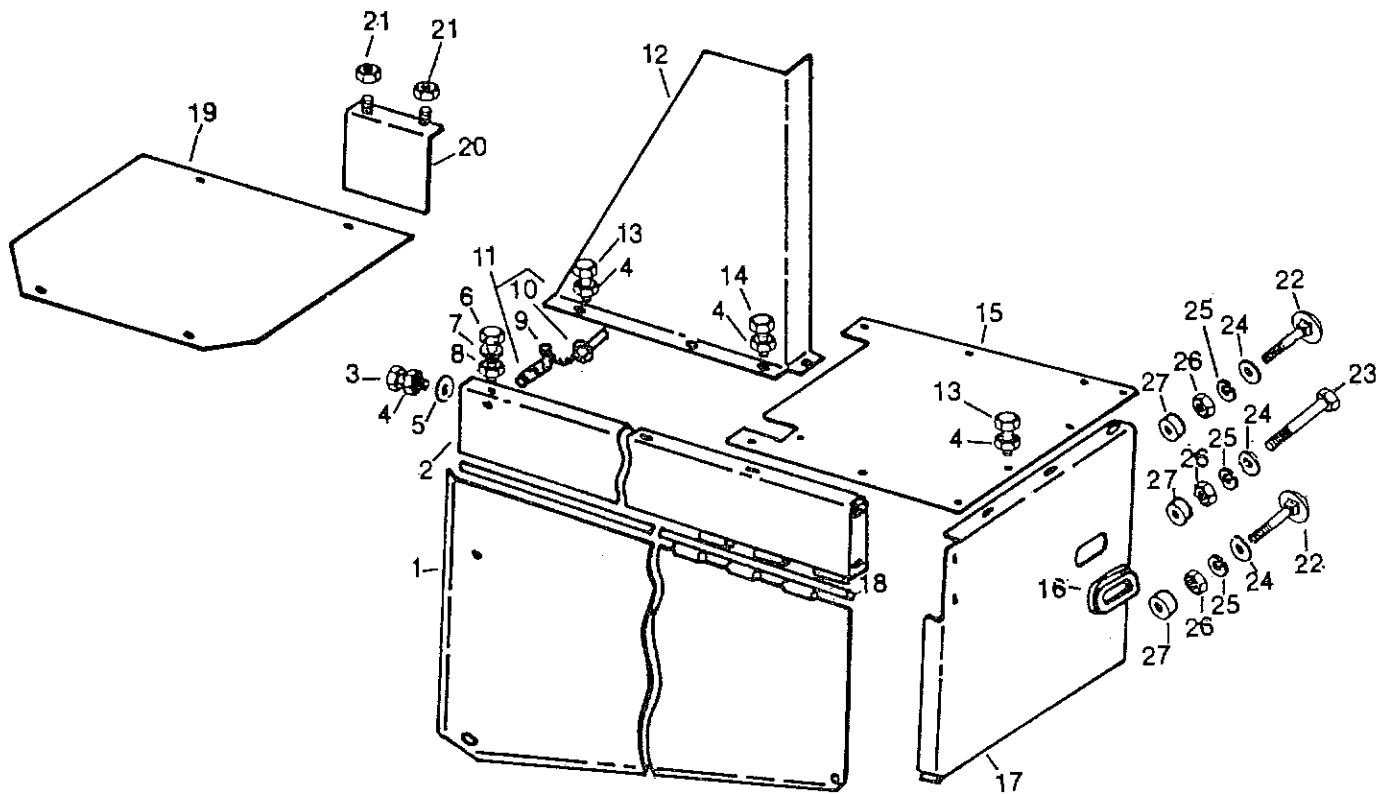
TANK EXTENSION



M31621F

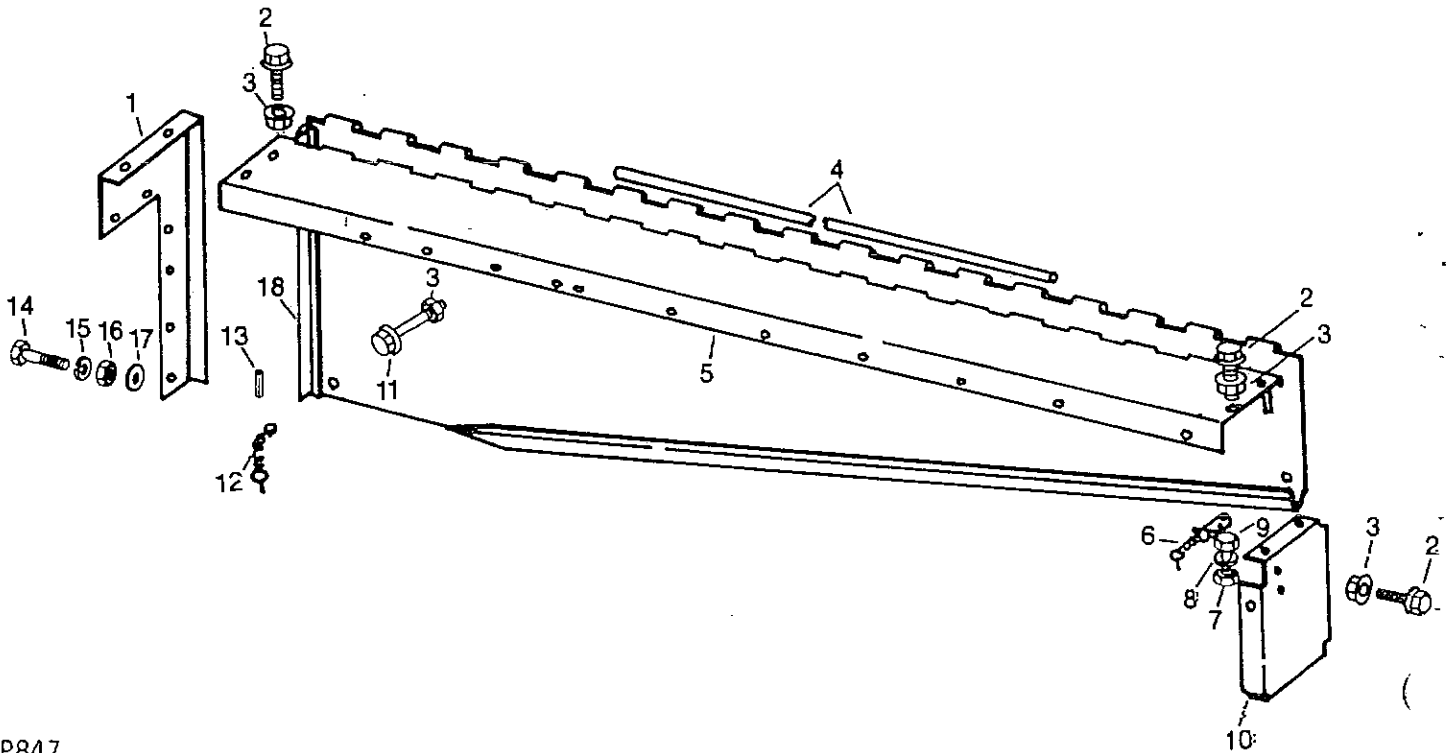
ITEM	PART NUMBER	QTY	DESCRIPTION
1	JN142918	1	EXTENSION, FRONT & BACK
2	JN143000	2	EXTENSION, SIDE R.H.
3	JN14822	-	SCREW, SELF-LOCKING 3/8" x 3/4"
4	020180	-	NUT, LOCK FLANGE 3/8"
5	JN144862	1	EXTENSION, SIDE L.H.

RIGHT HAND SIDE SHIELD



ITEM	PART NUMBER	QTY	DESCRIPTION
1	JN144664	1	SHIELD, R.H. DRIVE
2	JN144667	1	HINGE, SHIELD DOOR
3	991080	-	BOLT, HHCS 3/8" x 2-3/4"
4	020180	-	NUT, LOCK 3/8"
5	I120394	-	WASHER, FLAT 13/32" x 13/16" x .060"
6	206070	-	BOLT, HHCS 1/4" x 1-1/4"
7	029440	-	WASHER, LOCK 1/4"
8	027660	-	NUT, HEX 1/4"
9	J37H92	-	SCREW, PIN DRIVE #12 x 1/2"
10	JAC14863	1	PIN, QUICK LOCK
11	JAN141153	2	PIN ASSY
12	JN144869	1	SHIELD
13	JN14822	-	SCREW, SELF-LOCKING 3/8" x 3/4"
14	JN10214	-	SCREW, SELF-LOCKING 3/8" x 1"
15	JN144666	1	SHIELD
16	JR20759	1	GROMMET
17	JN146869	1	SHIELD, FRONT
18	JN144668	1	PIN, HINGE
19	JN146075	1	SHIELD, AUXILIARY HYDRAULIC SYSTEM
20	JAN142259	1	SHIELD ASSY, CLUTCH WIRE
21	020190	-	NUT, LOCK HEX FLANGE 5/16"
22	025390	-	BOLT, CRG 1/2" x 1-3/4"
23	031580	-	BOLT, HHCS 1/2" x 2-3/4"
24	I120396	-	WASHER, FLAT 17/32" x 1-1/16" x .090"
25	005370	-	WASHER, LOCK 1/2"
26	005360	-	NUT, HEX 1/2"
27	JB33873	3	BEARING, PIVOT

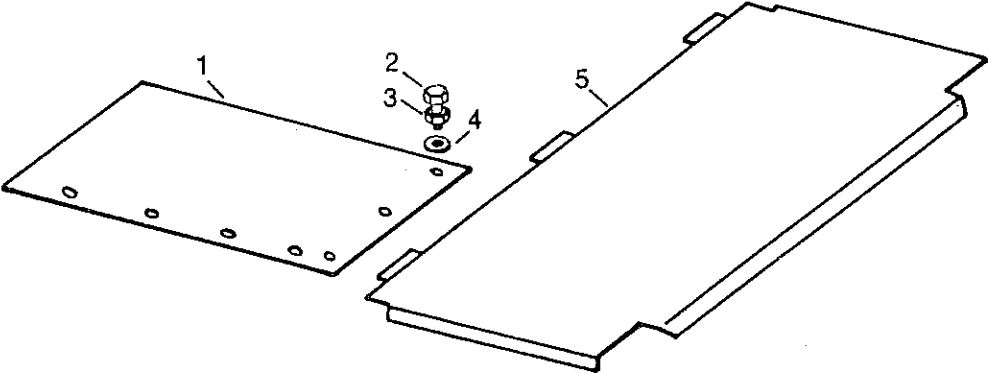
LEFT HAND SIDE SHIELDS-FOUR ROW



NP847

ITEM	PART NUMBER	QTY	DESCRIPTION
1	JN146843	1	SHIELD, L.H.,DRIVE,REAR
2	JN14822	-	SCREW, SELF-LOCKING 3/8" x 3/4"
3	020180	-	NUT, LOCK HEX FLANGE 3/8"
4	JN142913	1	ROD, HINGE
5	JAN142633	1	SHIELD ASSY, L.H. DRIVE
6	JAN141153	1	PIN ASSY
7	206070	-	BOLT, HHCS 1/4" x 1-1/4"
8	029440	-	WASHER, LOCK 1/4"
9	027660	-	NUT, 1/4"
10	JN146841	1	SHIELD, FRONT L.H.
11	JN10214	-	SCREW, SELF-LOCKING 3/8" x 1"
12	JAC14863	1	PIN, LYNCH 1/4" x 1-3/4"
13	J37H92	-	SCREW, DRIVE RD HD #12 x 1/2"
14	010730	-	BOLT, HHCS 1/2" x 1-1/4"
15	005370	-	WASHER, LOCK 1/2"
16	005360	-	NUT, 1/2"
17	1120396	-	WASHER, FLAT 17/32" x 1-1/16" x .090"
18	JN146598	1	SHIELD, L.H. DRIVE

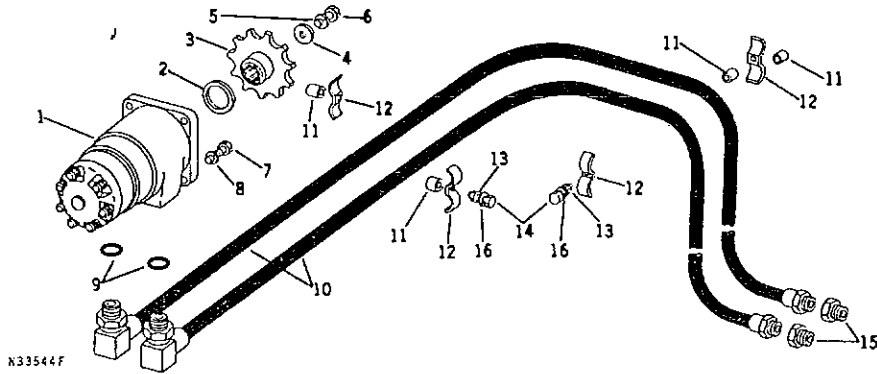
PADDLE SHAFT RUBBER CURTAIN AND SHIELD



NP838

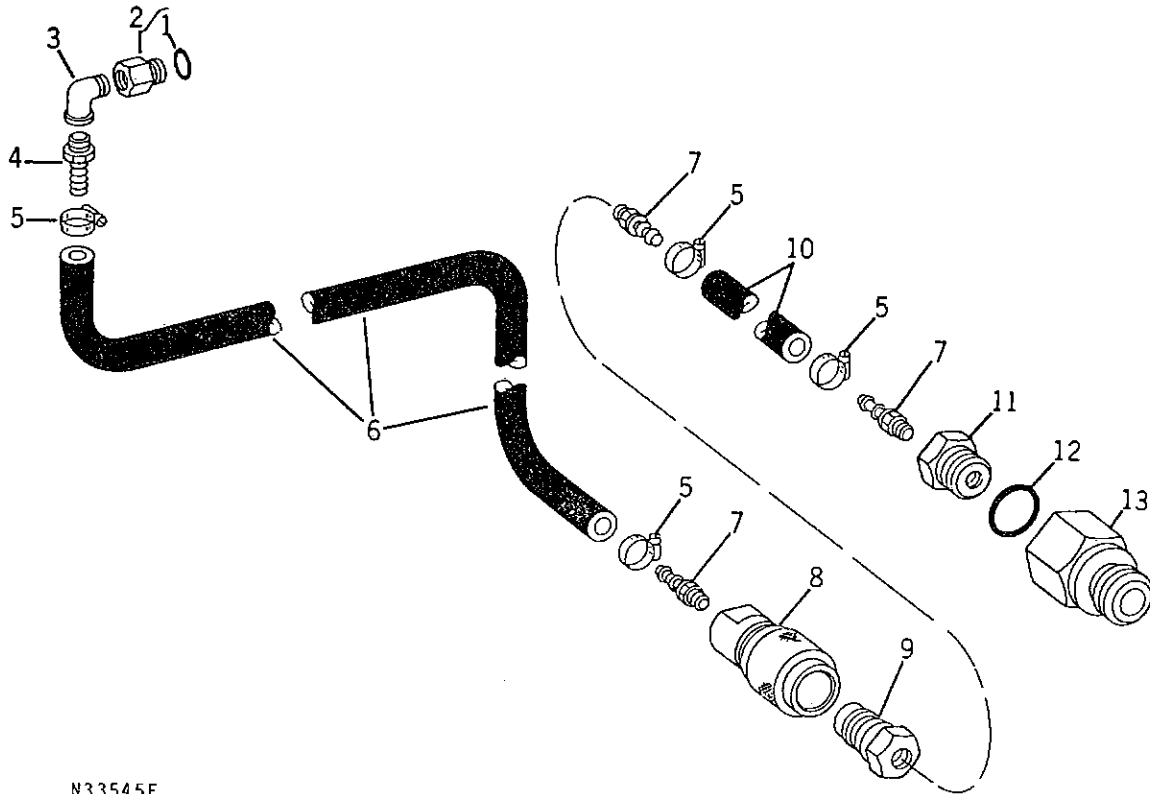
ITEM	PART NUMBER	QTY	DESCRIPTION
1	JN143712	4	CURTAIN, PADDLE SHAFT
2	011370	-	BOLT, HHCS 3/8" x 1-1/2"
3	020180	-	NUT, LOCK HEX FLANGE 3/8"
4	J24H1653	-	WASHER, FLAT 13/32" x 1-1/4" x .120"
5	JN147199	1	SHIELD, FOUR ROW L.H.
	JN147198	1	SHIELD, FOUR ROW R.H.

HYDRAULIC MOTOR AND HOSES



ITEM	PART NUMBER	QTY	DESCRIPTION
1	JAN142719	1	MOTOR
2	J24H1462	-	WASHER, FLAT 1-1/16" x 1-1/2" x .060"
3	JN108241	1	GEAR, STEERING 12-TOOTH
4	J24H1695	-	WASHER, FLAT 9/32" x 1-3/8" x .060"
5	029440	-	WASHER, LOCK 1/4"
6	029450	-	BOLT, HHCS 1/4" x 1/2"
7	J19H2284	-	BOLT, HHCS 3/8" x 7/8"
8	J12H310	-	WASHER, LOCK INTERNAL TOOTH 3/8"
9	JR26906	-	O-RING, .755" x .097"
10	JAN142712	2	HYDRAULIC HOSE, 1/2" x 480"
	JAN142026	2	HYDRAULIC HOSE, 1/2" x 250"
11	J28H1518	-	SPACER, PIPE 3/8" x 5/16"
12	JN185041	8	CLAMP, HOSE
13	023630	-	NUT, HEX 5/16"
14	117530	-	BOLT, HHCS 5/16" x 1-3/4"
15	JAR94522	2	COUPLING, MALE O-RING 3/4"
16	023620	-	WASHER, LOCK 5/16"

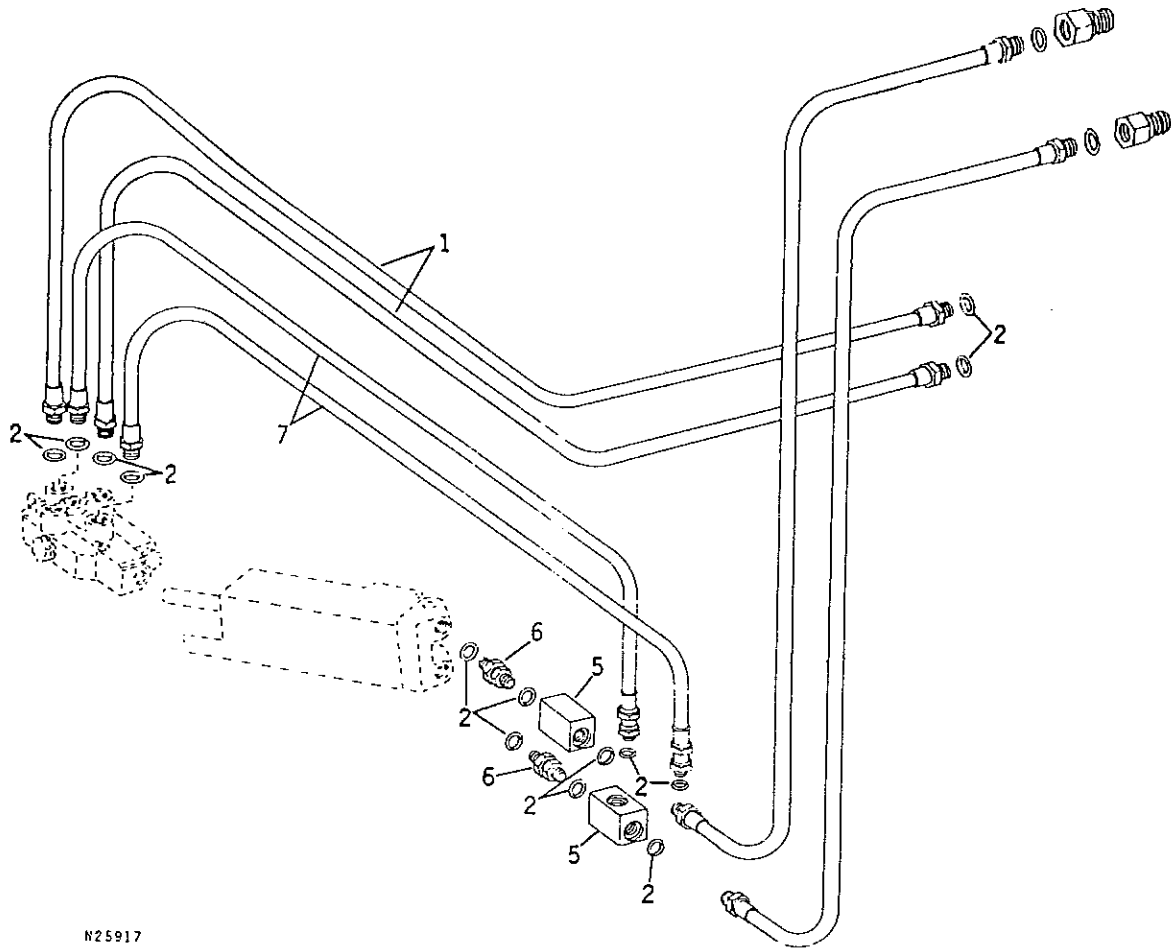
**HYDRAULIC MOTOR CASE DRAIN - JAN142254
(TRACTOR HYDRAULIC SYSTEM)**



N33545F

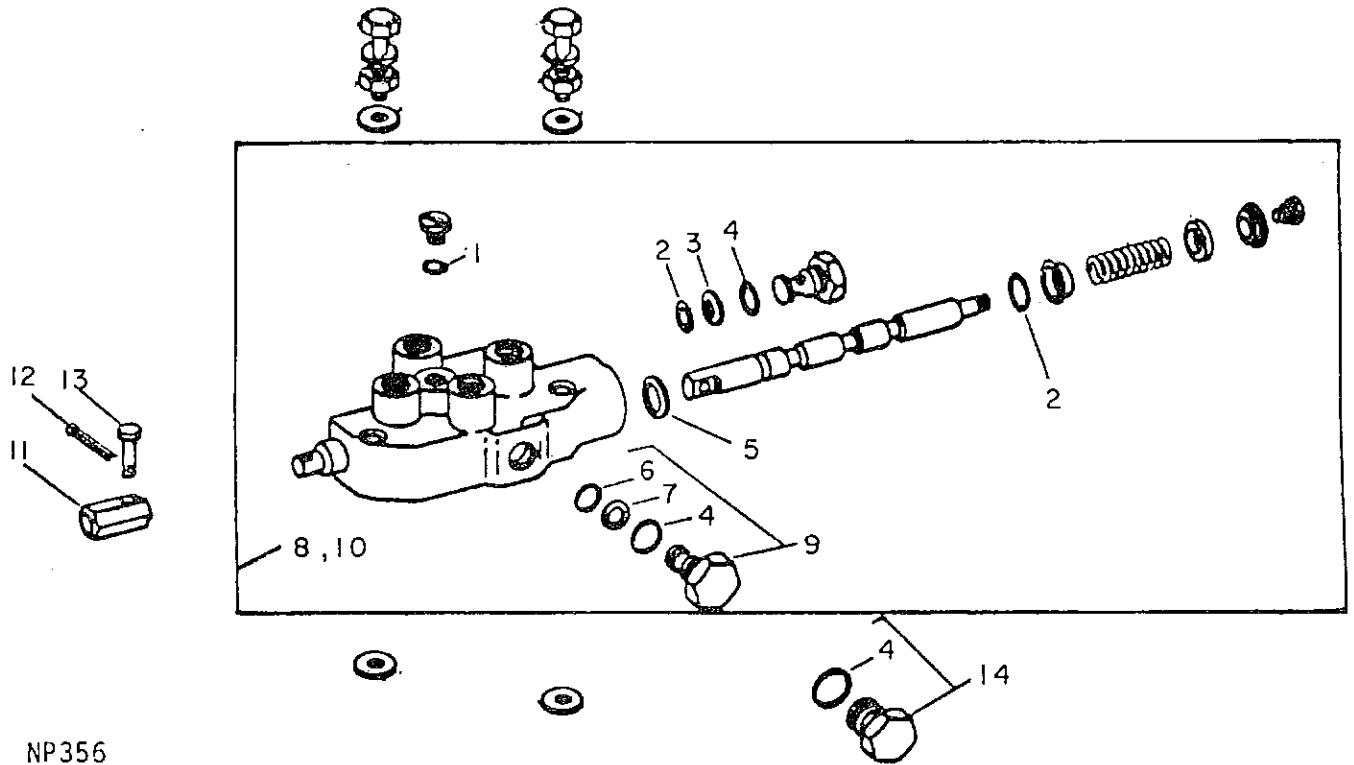
ITEM	PART NUMBER	QTY	DESCRIPTION
1	JR28782	1	O-RING, .351" x .072"
2	JAN142253	1	ADAPTER, W/ O-RING 7/16" TO 1/8"
3	J15H197	1	ELBOW, 1/8" 90DEG. STREET
4	117750	1	HOSE, BARB 1/4" x 1/8"
5	JAR48236	4	CLAMP, HOSE
6	JN146293	1	HOSE, 1/4" x 464"
7	JU42355	3	CONNECTOR, 1/4"
8	JAM37982	1	COUPLING, FEMALE QUICK-CONNECT 1/4"
9	JAM37983	1	COUPLING, MALE QUICK-CONNECT 1/4"
10	JN156484	1	HYDRAULIC HOSE, 1/4" I.D. x 11"
11	JN13369	1	REDUCER, 3/4" x 1/4"
12	JR26375	1	O-RING, .644" x .087"
13	JN140476	1	REDUCER, 1-1/8" x 3/4"

HYDRAULIC HOSE FOR ROW-FINDER



ITEM	PART NUMBER	QTY	DESCRIPTION
1	JAN131128	2	HYDRAULIC HOSE, 3/8" I.D. x 123"
2	JR26375	-	O-RING, .644" x .087"
3		2	FITTING, CUSTOMER SUPPLIED
4		2	HYDRAULIC HOSE, CUSTOMER SUPPLIED
5	JN132040	2	FITTING, TEE
6	JAN131153	2	UNION FITTING
7	JAN131123	2	HYDRAULIC HOSE, 3/8" x 79"

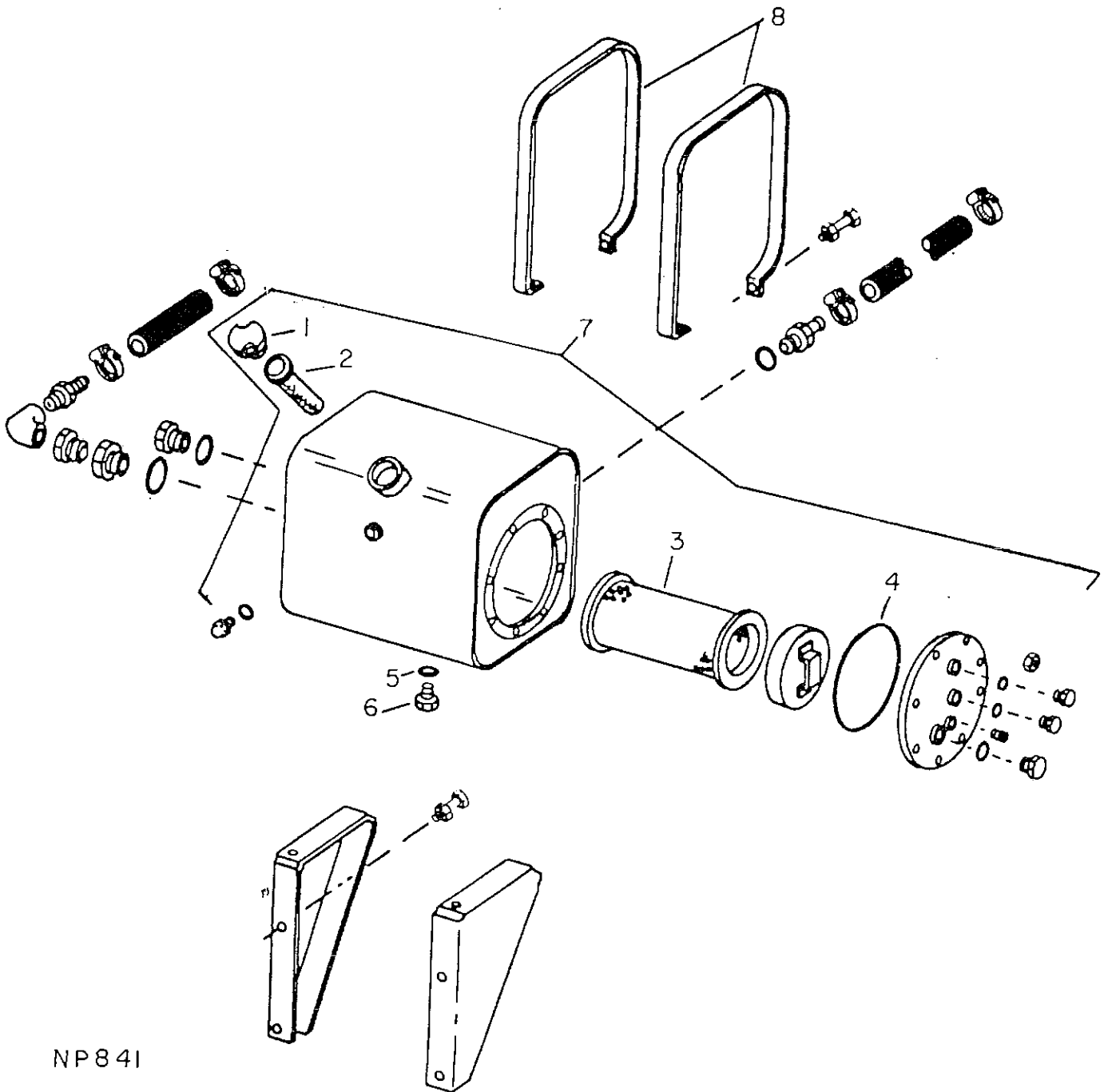
ROW FINDER VALVE REPAIR KIT



NP356

ITEM	PART NUMBER	QTY	DESCRIPTION
1		1	O-RING, .487" x .103" DASH 112
2		2	O-RING, .612" x .103" DASH 114
3		1	BACK-UP RING
4		2	O-RING, .737" x .103" DASH 116
5		1	O-RING, .612" x .139" DASH 208
6		1	O-RING, .614" x .070" DASH 016
7		1	BACK-UP RING
8	JAN103932	1	SEAL KIT
9	JAN140006	1	PLUG, CLOSED CENTER
10	JAN140409	1	VALVE, COMPLETE
11	JN73405	1	CLEVIS
12	J11H230	1	PIN, COTTER
13	JN73390	1	PIN, CLEVIS
14	JAN71922	1	PLUG, OPEN CENTER

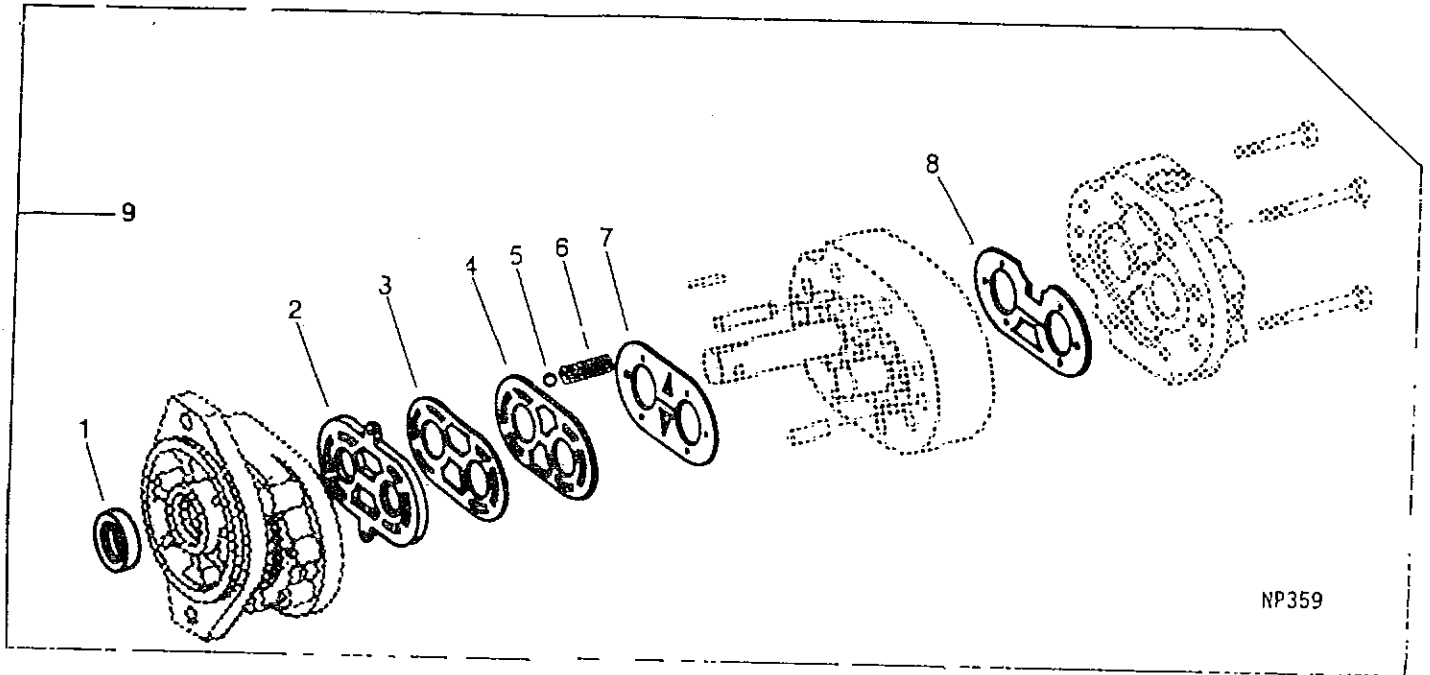
HYDRAULIC OIL RESERVOIR AND MOUNTING



NP841

ITEM	PART NUMBER	QTY	DESCRIPTION
1	JAP23771	1	CAP, FILLER
2	JAH76992	1	STRAINER
3	JAE43494	1	FILTER, 10 MICRON
4	JH78750	1	O-RING
5	JR26448	1	O-RING
6	JR27218	1	PLUG, DRAIN
7	JAH76988	1	RESERVOIR, HYDRAULIC
8	JN117340	2	STRAP, RESERVOIR

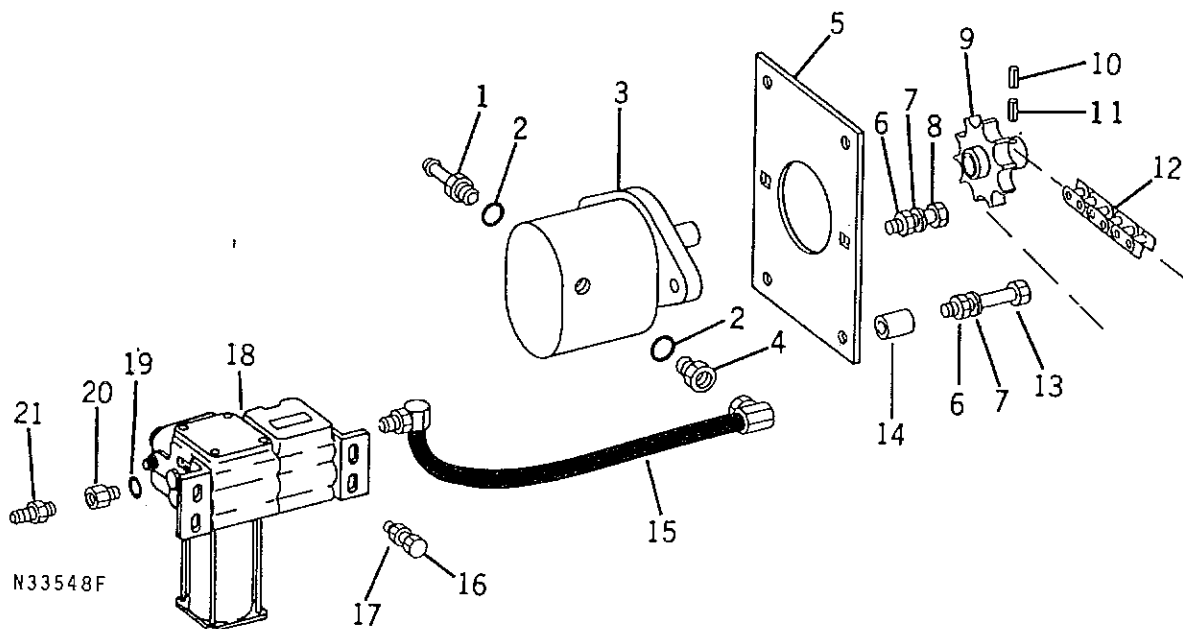
HYDRAULIC PUMP REPAIR KIT



NP359

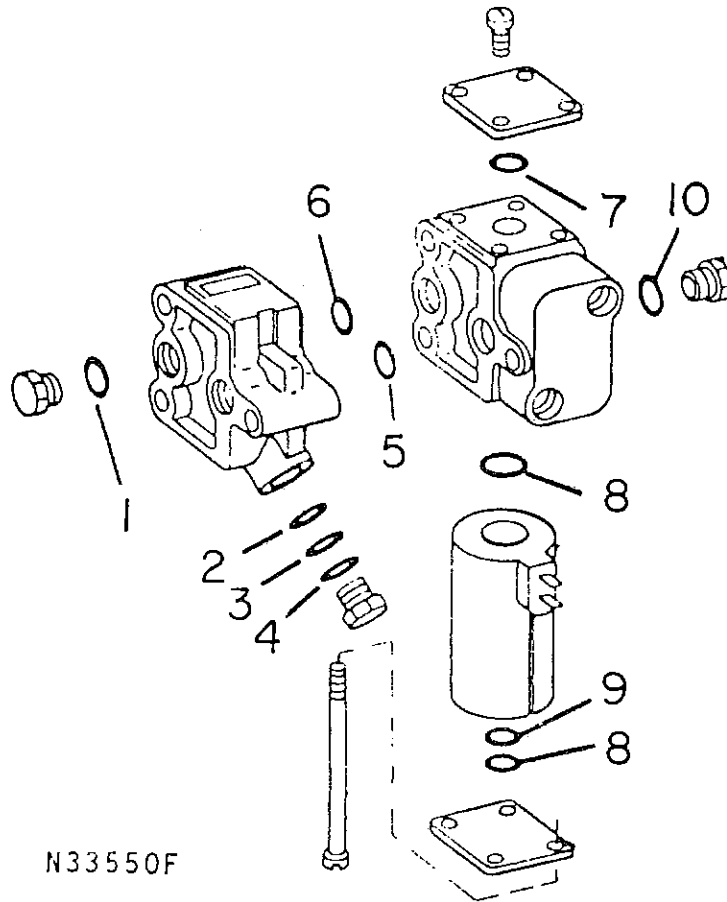
ITEM	PART NUMBER	QTY	DESCRIPTION
1		1	SEAL
2		1	SEAL
3		1	GASKET
4		1	GASKET
5		2	BALL CHECK
6		2	SPRING
7		1	DIAPHRAGM
8		1	GASKET
9	JAW15083	1	SEAL KIT
	JAN142217		PUMP, COMPLETE

HYDRAULIC PUMP AND MOUNTING (AUXILIARY HYDRAULIC SYSTEM)



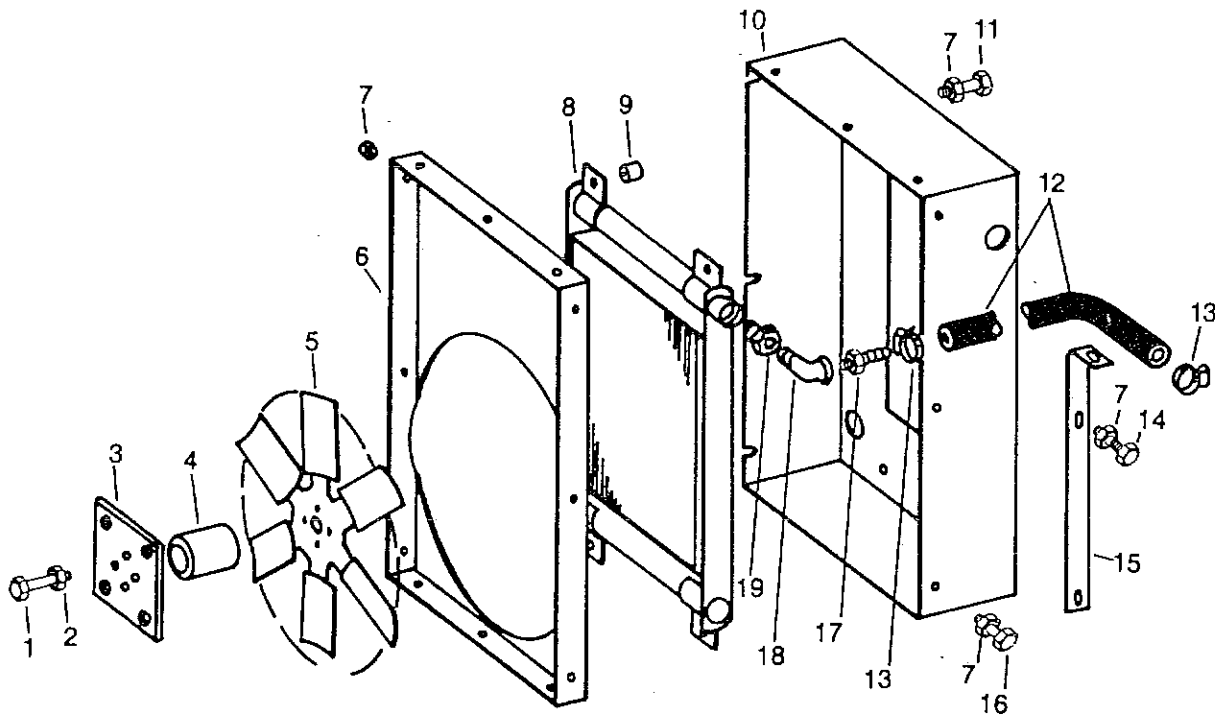
ITEM	PART NUMBER	QTY	DESCRIPTION
1	JAH75162	1	FITTING, HOSE BARB
2	JR29936	1	O-RING
3	JAN142217	1	HYDRAULIC PUMP
4	JAK40449	1	ADAPTER
5	JN147312	1	BRACKET
6	005360	-	NUT, 1/2"
7	005370	-	WASHER, LOCK 1/2"
8	025390	-	BOLT, CRG 1/2" x 1-3/4"
9	JAN142030	1	SPROCKET, CHAIN 15-TOOTH
10	J34H288	-	PIN, SPRING 3/16" x 1-3/4"
11	E580053	-	PIN, SPRING 5/16" x 1-3/4"
12	JAN141772	1	CHAIN, LINK 3/4"P 159 LINKS
13	990840	-	BOLT, HHCS 1/2" x 3"
14	JN144904	-	BUSHING
15	JAE42223	1	HYDRAULIC HOSE, 1/2" I.D. x 52"
16	032840	-	BOLT, SSN CRG 3/8" x 3/4"
17	020180	-	NUT, LOCK 3/8"
18	JAN142195	1	SOLENOID VALVE
19	JR26375	1	O-RING
20	JR30817	1	ADAPTER
21	JN85583	1	HOSE FITTING

**SOLENOID VALVE - JAN142195
(AUXILIARY HYDRAULIC SYSTEM)**



ITEM	PART NUMBER	QTY	DESCRIPTION
1	252260	1	SEAL KIT
2		1	O-RING
3		1	O-RING
4		1	O-RING
5		1	QUAD RING
6		1	QUAD RING
7		1	O-RING
8		2	O-RING
9		1	O-RING
10		1	O-RING

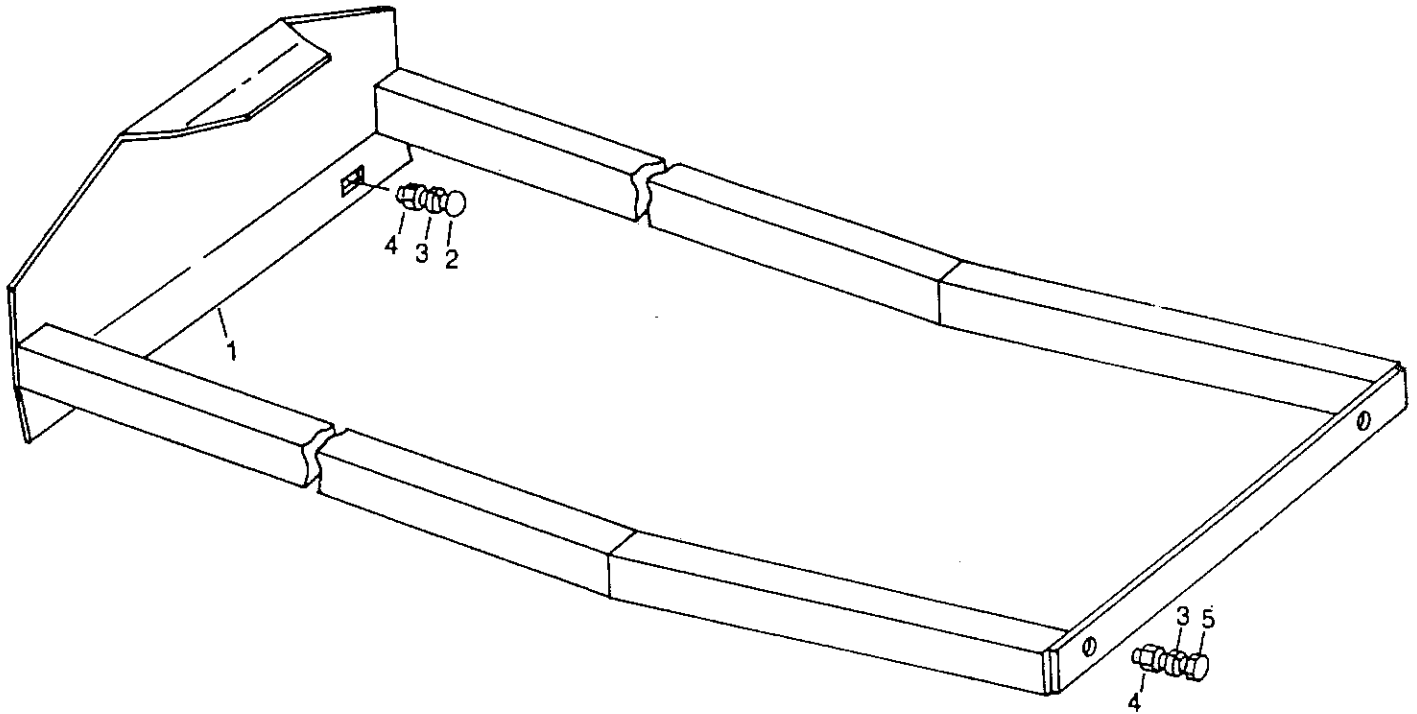
HYDRAULIC COOLER AND FAN (AUXILIARY HYDRAULIC SYSTEM)



NP850

ITEM	PART NUMBER	QTY	DESCRIPTION
1	160230	-	BOLT, HHCS 5/16" x 3"
2	JK40002	-	NUT, LOCK 5/16"
3	JN145860	1	BRACKET, FAN MOUNT
4	JN145861	1	SPACER, 2-5/64" x 2-1/4"
5	JAT14084	1	FAN BLADE ASSY
6	JAN142110	1	SHROUD ASSY
7	020190	-	NUT, LOCK HEX FLANGE 5/16"
8	JAN152435	1	OIL COOLER
9	J28H1525	4	SPACER 3/8" x 1-1/16"
10	JN145858	1	HOUSING, COOLER
11	JN162745	-	SCREW, SELF-LOCKING 5/16" x 1-1/2"
12	JN146112	1	HOSE, 3/4" I.D. x 56"
13	JAR21839	2	CLAMP, HOSE
14	JN10212	-	SCREW, SELF-LOCKING 5/16" x 3/4"
15	JN145859	1	STRAP, BRACE
16	JN71292	-	SCREW, SELF-LOCKING 5/16" x 1/2"
17	JN153973	3	HOSE FITTING, BARB 3/4"
18	E276030	2	ELBOW, 3/4" 90DEG. STREET
19	185960	2	BUSHING, HEX REDUCING 1" x 3/4"

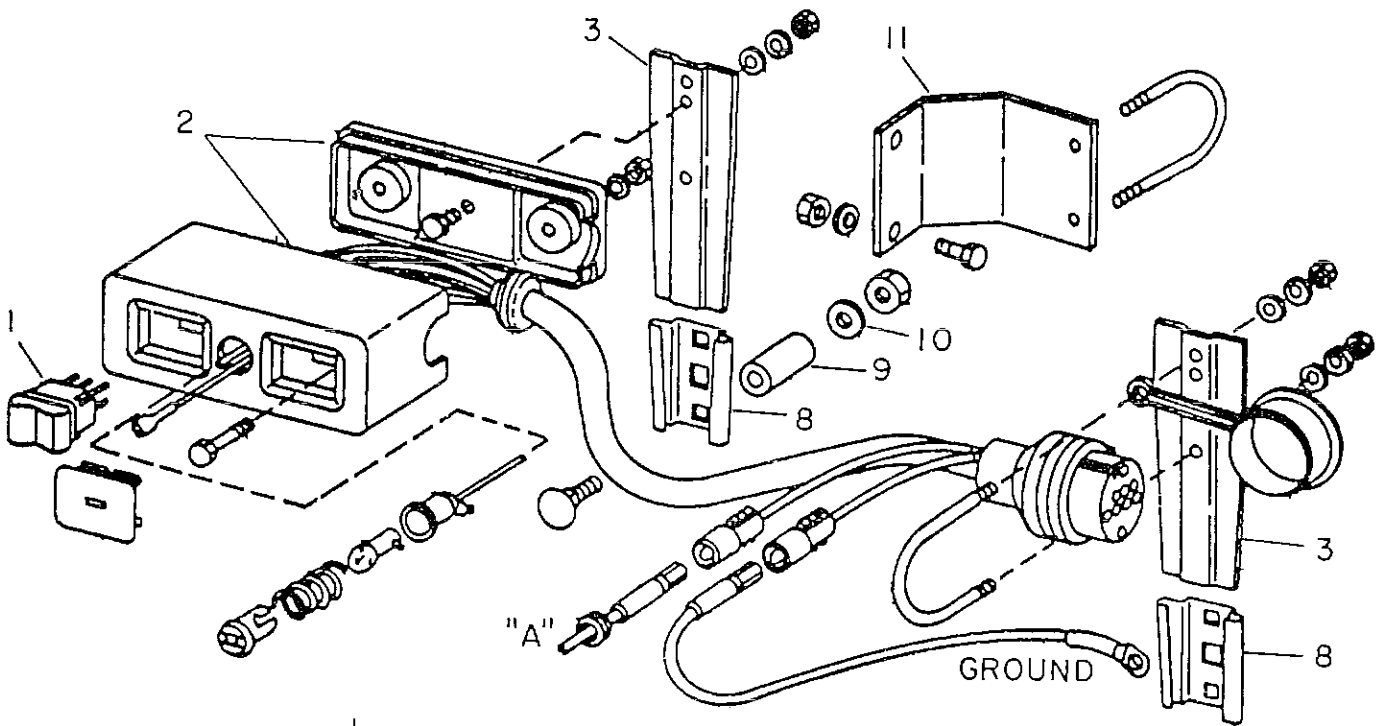
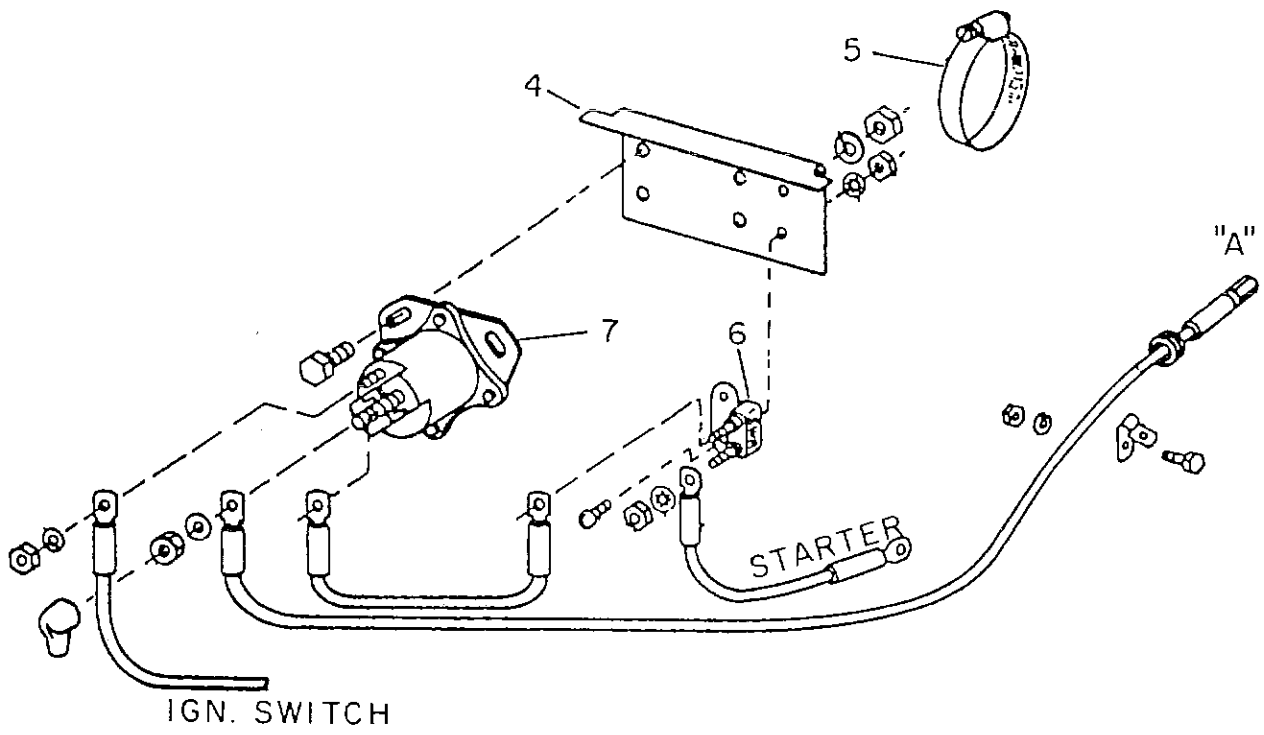
HEIGHT EXTENSION, TRUCK CONVEYOR



NP833

ITEM	PART NUMBER	QTY	DESCRIPTION
1	JAN141675	1	RAMP ASSY
2	030470	-	BOLT, SSN CRG 1/2" x 1-1/4"
3	005370	-	WASHER, LOCK 1/2"
4	005360	-	NUT, HEX 1/2"
5	010730	-	BOLT, HHCS 1/2" x 1-1/4"

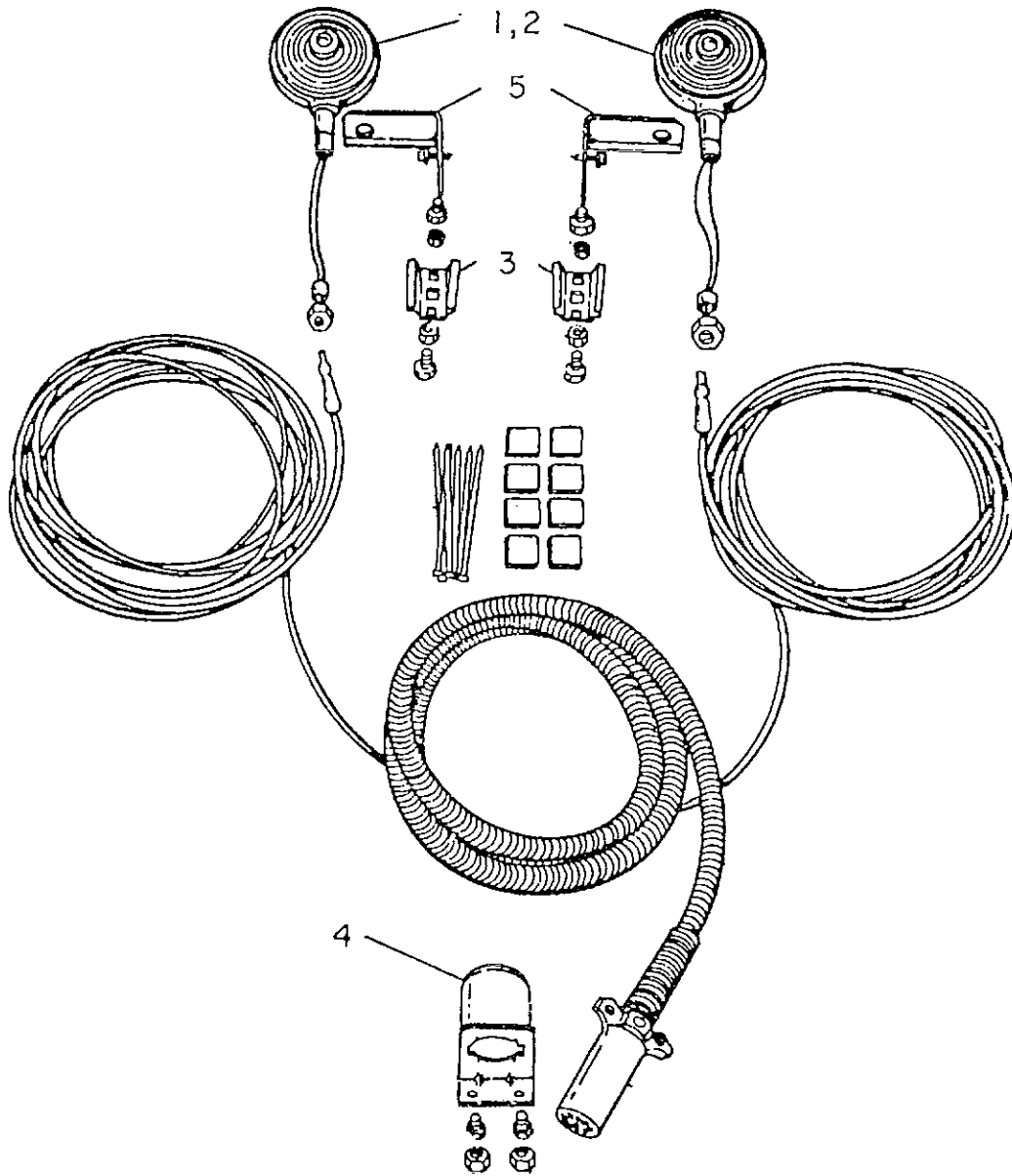
ELECTRICAL REMOTE CONTROL



ELECTRICAL REMOTE CONTROL

ITEM	PART NUMBER	QTY	DESCRIPTION
1	JAR49798	1	SWITCH, DETENT ROCKER
2	JAR50779	1	BOX, 2-SWITCH (BULB TYPE 1895TR)
3	JR47861	2	BRACKET
4	JR69109	1	BRACKET
5	JAR52392	2	CLAMP, HOSE
6	JAR50926	1	CIRCUIT BREAKER
7	JAR54484	1	RELAY, ACCESSORY
8	167330	2	SOCKET, MOUNTING
9	J24H1646	2	WASHER, FLAT 17/64" x 3/4" X .060"
10	I134238R1	4	WASHER, FLAT 11/32" x 1" x .060"
11	JR54467	1	BRACKET, ELECTRIC REMOTE CONTROL
	JAR62360	1	KIT, ELECTRIC REMOTE CONTROL BOX
	JAR62359	1	KIT, ELECTRIC REMOTE CONTROL WIRING

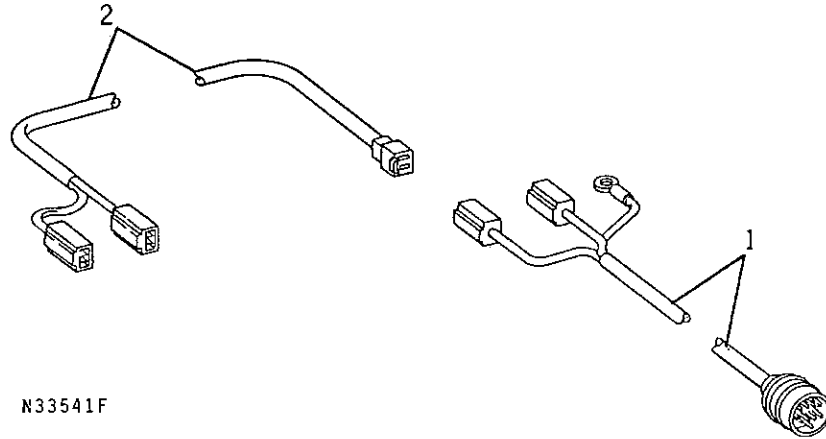
WARNING LIGHT KIT - JTY15263



TYP630

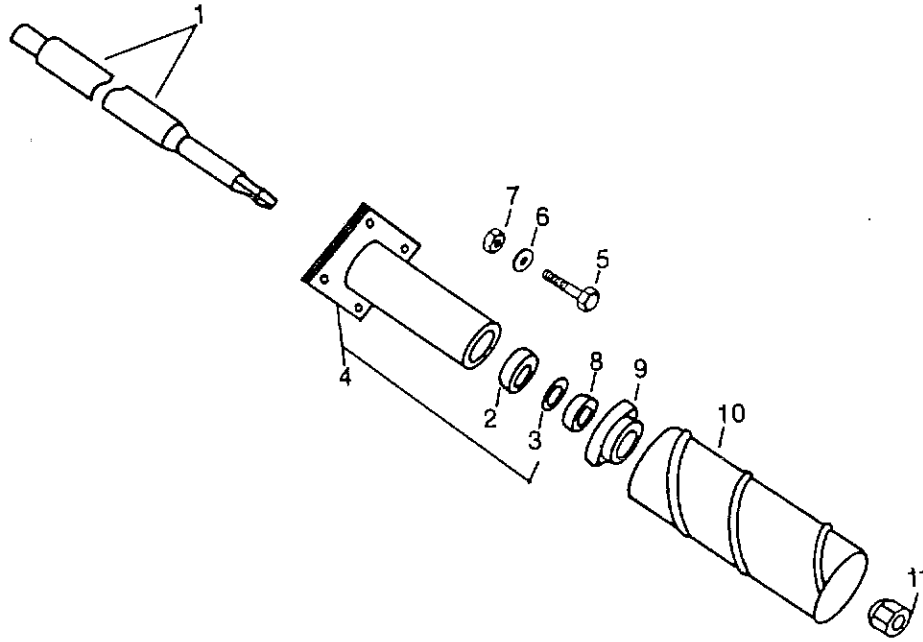
ITEM	PART NUMBER	QTY	DESCRIPTION
1	JAA34967	2	LAMP ASSY, AMBER
2	JAA34968	1	LAMP ASSY, RED
3	167330	2	BRACKET, MOUNTING
4	JPT1296	1	BRACKET, STORING
5	JPT9319	2	BRACKET, MOUNTING "L"
6	JPT9320	1	BRACKET, MOUNTING

WIRING HARNESS



ITEM	PART NUMBER	QTY	DESCRIPTION
1	JAN142226	1	WIRING HARNESS
2	JAN142227	1	WIRING HARNESS, AUXILIARY HYDRAULIC SYSTEM

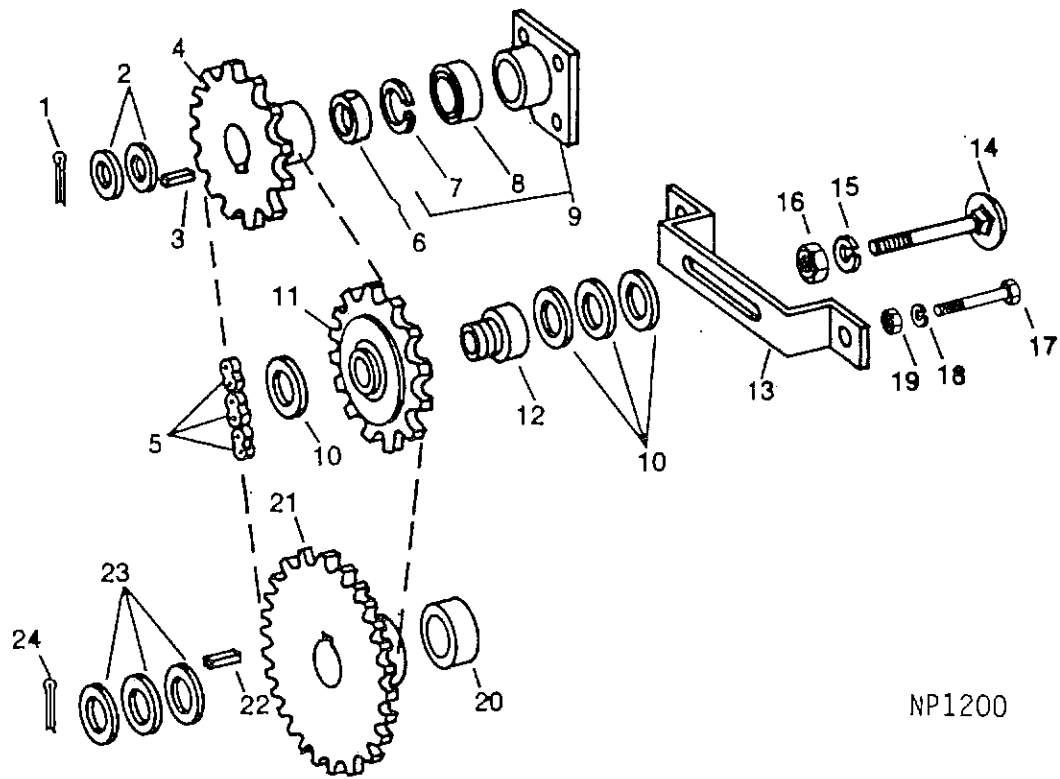
DIVERSION ROLL - RIGHT HAND



NP842

ITEM	PART NUMBER	QTY	DESCRIPTION
1	JN147228	1	SHAFT, DIVERSION ROLL
2	250100	1	BEARING, BALL 1-1/2" COD
3	J32184	-	SNAP RING
4	JAN142587	1	SUPPORT ASSY, GRAB ROLL
5	I441452R1	-	BOLT, CRG 5/8" x 2"
6	020440	-	WASHER, LOCK 5/8"
7	I124589	-	NUT, HEX 5/8"
8	I455112R11	1	COLLAR, ECCENTRIC LOCKING 1-1/2"
9	JN146502	1	STOP
10	251600	1	ROLL WELDMENT
11	JN135098	-	NUT, HEX 3/4"

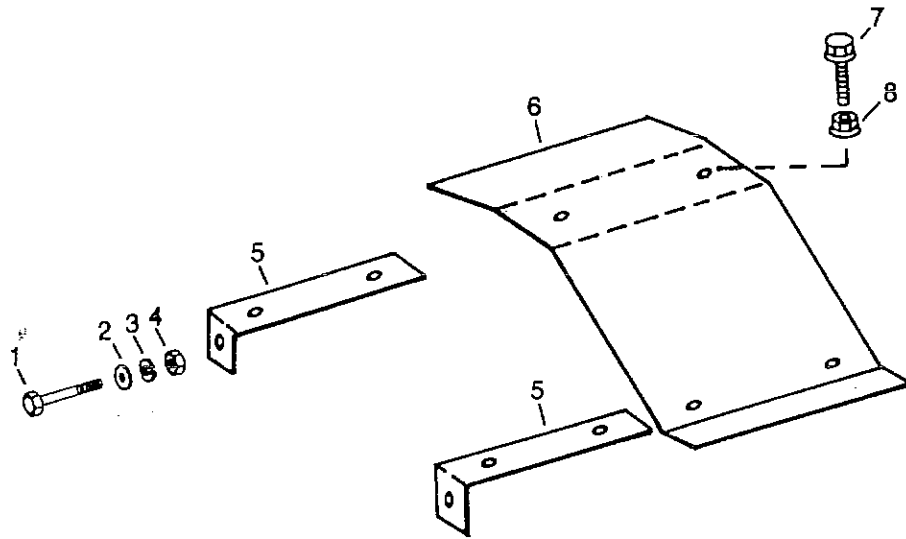
DRIVES, DIVERSION ROLL - RIGHT HAND



NP1200

ITEM	PART NUMBER	QTY	DESCRIPTION
1	124340	-	PIN, COTTER 3/16" x 1-1/2"
2	003370	-	WASHER, FLAT 1-1/64" x 1-1/2" x .048"
3	JN7477DN	1	KEY, SHAFT 5/16" x 1-1/8"
4	JN147232	1	SPROCKET, CHAIN 13-TOOTH
5	JAN142655	1	CHAIN, ROLLER 3/4"P 52 LINKS
6	I455112R11	1	COLLAR, ECCENTRIC LOCKING 1-1/2"
7	J32184	-	SNAP RING
8	250100	1	BEARING, BALL 1-1/2" COD
9	JAN142680	1	SUPPORT ASSY, W/BEARINGS
10	I178373R1	-	WASHER, FLAT 17/32" x 15/16" x .060"
11	JAN31211	1	SPROCKET, CHAIN IDLER 15-TOOTH
12	JN10077	1	SLEEVE, IDLER BEARING
13	JN146493	1	BRACKET, DIVERSION ROLL
14	J03H1593	-	BOLT, CRG 1/2"x 2-1/2"
15	005370	-	WASHER, LOCK 1/2"
16	005360	-	NUT, HEX 1/2"
17	006690	-	BOLT, HHCS 3/8" x 1-1/4"
18	021180	-	WASHER, LOCK 3/8"
19	027260	-	NUT, HEX 3/8"
20	JN142988	1	SPACER, GRAB ROLL 1-15/32" x 1-9/32"
21	JAN142480	1	SPROCKET, CHAIN 26-TOOTH
22	JN7477DN	1	KEY, SHAFT 5/16" x 1-1/8"
23	J24H1512	-	WASHER, FLAT 1-13/32" x 2" x .030"
24	I137258	-	PIN, COTTER 3/16" x 1-3/4"

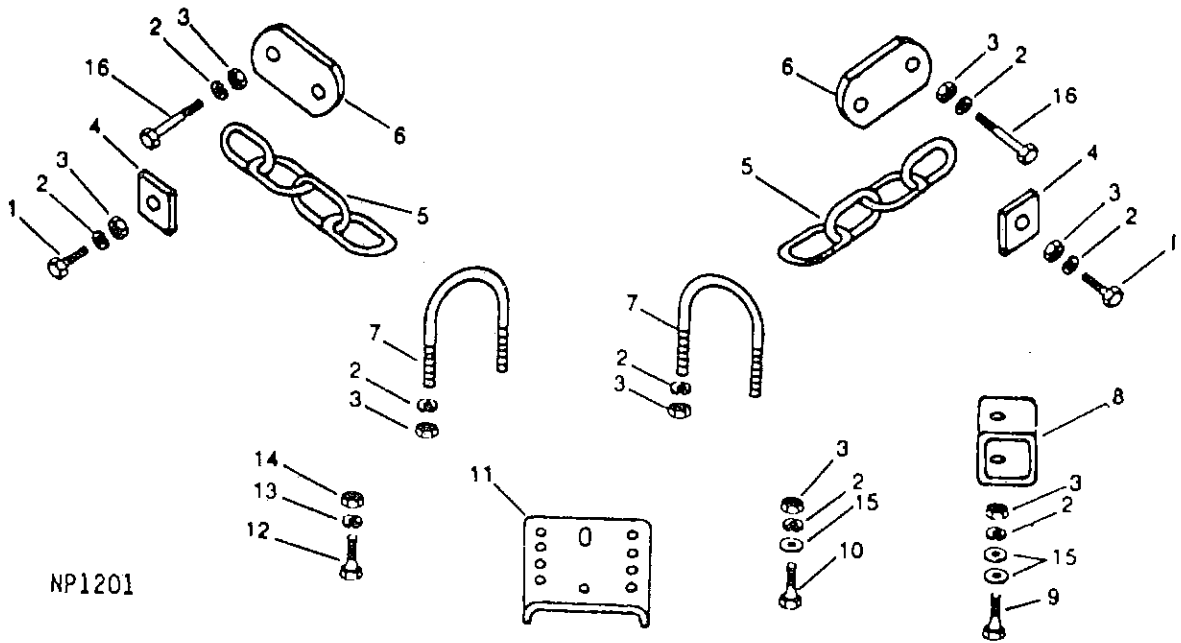
SHIELDS, DIVERSION ROLL - RIGHT HAND



NP844

ITEM	PART NUMBER	QTY	DESCRIPTION
1	014770	-	BOLT, HHCS 1/2" x 1-1/2"
	1770608	-	BOLT, HHCS 1/2" x 3-1/2"
2	I120396	-	WASHER, FLAT 17/32" x 1-1/16" x .090"
3	005370	-	WASHER, LOCK 1/2"
4	005360	-	NUT, HEX 1/2"
5	JN146694	2	ANGLE, SHIELD SUPPORT
6	JN146693	1	SHIELD, ELECTRIC CLUTCH
7	JN10214	-	SCREW, SELF-LOCKING 3/8" x 1"
8	020180	-	NUT, LOCK HEX FLANGE 3/8"

DRAWBAR SUPPORT



ITEM	PART NUMBER	QTY	DESCRIPTION
1	013430	-	BOLT, HHCS 5/8" x 2-1/4"
2	020440	-	WASHER, LOCK 5/8"
3	I124589	-	NUT, HEX 5/8"
4	JN146861	2	WASHER, RECT. 21/32" x 1-1/4" x 1-1/2" x .250"
5	JAN142550	2	CHAIN, LINK
6	JN146862	2	STRAP, DRAWBAR SUPPORT
7	JN146864	2	U-BOLT, 5/8"
8	JN146865	1	TUBE, (USE W/1-3/8" DRAWBAR)
9	990680	-	BOLT, HHCS 5/8" x 5-1/2" USE W/1-3/8" DRAWBAR)
10	J19H3208	-	BOLT, HHCS 5/8" x 3" (USE W/1-3/8" DRAWBAR)
11	JN146863	1	PLATE, DRAWBAR SUPPORT
12	990570	-	BOLT, HHCS 3/4" x 3" (USE W/1-3/4" DRAWBAR)
13	036800	-	WASHER, LOCK 3/4"
14	J14H794	-	NUT, 3/4"
15	035210	-	WASHER, FLAT 21/32" x 1-5/16" x .090"
16	J19H3208	-	BOLT, HHCS 5/8" x 3"
	J19H3170	-	BOLT, HHCS 5/8" x 4-1/2" (USE W/1-3/8" DRAWBAR)

DECALS AND PAINT

PART NUMBER	QTY	DESCRIPTION
252270	1	KIT, 2830 DECAL
JE59563	1	PTO ATTACHMENT
JE74026	1	DRIVELINE ENTANGLEMENT
JJD5111	1	1000 RPM PTO
JJD5255	2	CAUTION IMPLEMENT
E224038	1	SMV, ADHESIVE BACK
JJD5578	2	REFLECTOR, RED
JJD5581	1	REFLECTOR, AMBER
JN143054	1	MOVING CONVEYORS
JN143055	1	CLEANING MECHANISMS
JN146330	1	ROTATING FAN
JN158621	1	LEVEL PLATES
JR48026	1	ELECTRIC REMOTE CONTROL
250310	1	ART'S-WAY LOGO
250320	1	ART'S-WAY 2830 R.H.
251520	1	ART'S-WAY 2830 L.H.
022010	1	PAINT, ART'S-WAY GREEN 1 GALLON
022020	1	PAINT, ART'S-WAY YELLOW 1 GALLON

Index

PART NUMBER	PAGE	PART NUMBER	PAGE	PART NUMBER	PAGE	PART NUMBER	PAGE	PART NUMBER	PAGE
007180	20	E281004	29	JAN141058	32	JAN141773	49	JAN31211	23
010380	6	E281004	30	JAN141080	51	JAN141782	5	JAN31211	25
010550	25	E281004	31	JAN141087	49	JAN141784	23	JAN31211	27
012630	10	E281004	45	JAN141087	50	JAN141787	42	JAN31211	49
013170	15	E281004	46	JAN141089	50	JAN141788	27	JAN31211	71
018850	12	E281004	50	JAN141090	48	JAN141789	8	JAN70684	19
018850	19			JAN141091	48	JAN141792	28	JAN70763	15
018860	10	I102467H	6	JAN141113	19	JAN141852	7	JAN71364	15
032990	10	I455112R11	23	JAN141125	18	JAN141853	7	JAN71668	19
033570	18	I455112R11	47	JAN141125	20	JAN141870	40	JAN71922	59
033570	20	I455112R11	70	JAN141125	25	JAN141890	8	JAN71924	17
042310	12	I455112R11	71	JAN141145	27	JAN142008	42	JAP23771	60
042320	12	I480613R91	6	JAN141153	53	JAN142026	56	JAR21839	64
042440	12			JAN141153	54	JAN142030	62	JAR48236	57
044310	19	J23096	17	JAN141159	28	JAN142110	64	JAR49798	67
044370	12	J23096	27	JAN141160	32	JAN142137	17	JAR50779	67
044370	19	J23772	35	JAN141161	32	JAN142138	17	JAR50926	67
048530	6	J32184	71	JAN141178	6	JAN142139	17	JAR52392	67
049180	5	JAA34967	68	JAN141180	6	JAN142146	17	JAR54484	67
049180	7	JAA34968	68	JAN141181	6	JAN142148	17	JAR62359	67
049180	9	JAC11179	6	JAN141192	7	JAN142149	17	JAR62360	67
049180	12	JAE30920	6	JAN141223	45	JAN142153	28	JAR94522	56
049180	17	JAE30925	6	JAN141271	35	JAN142153	45	JAT14084	64
049180	37	JAE42223	62	JAN141272	35	JAN142195	62	JAT30144	17
049180	41	JAE43494	60	JAN141343	6	JAN142217	61	JAW15083	61
073580	19	JAH107036	47	JAN141437	5	JAN142217	62	JB10958	9
117750	57	JAH20017	10	JAN141468	39	JAN142226	69	JB30887	10
129770	15	JAH583R	47	JAN141470	39	JAN142227	69	JB33873	53
163770	18	JAH76988	60	JAN141616	6	JAN142249	45	JC1952N	15
163770	20	JAH76992	60	JAN141657	12	JAN142253	57	JC19787	35
164420	10	JAH78237	47	JAN141671	41	JAN142256	9	JC19791	35
167330	67	JAH90781	47	JAN141672	41	JAN142259	53	JCJ21FN	17
167330	68	JAK40449	62	JAN141673	41	JAN142279	37	JD10024	10
169950	35	JAM37982	57	JAN141675	65	JAN142300	37	JD10025	10
1795007	45	JAM37983	57	JAN141693	46	JAN142312	37	JE38180	6
1795201	18	JAN100129	18	JAN141694	39	JAN142313	37	JE50009	9
1795201	25	JAN100129	20	JAN141699	40	JAN142341	37	JE51019	6
185960	64	JAN102327	19	JAN141709	42	JAN142480	71	JE52198	6
235770	15	JAN103165	12	JAN141710	27	JAN142487	9	JE52199	6
247100	45	JAN103932	59	JAN141712	18	JAN142498	11	JE52215	6
250100	70	JAN131123	58	JAN141714	25	JAN142510	5	JE61946	6
250100	71	JAN131128	58	JAN141716	25	JAN142545	7	JE62484	23
250110	29	JAN131153	58	JAN141719	25	JAN142547	7	JE62484	47
250110	30	JAN131668	42	JAN141721	25	JAN142550	73	JF2930R	47
250110	31	JAN132749	12	JAN141730	39	JAN142579	28	JH62232	9
250110	35	JAN140006	59	JAN141733	18	JAN142587	70	JH62232	25
250120	46	JAN140044	23	JAN141735	36	JAN142590	5	JH64801	19
250120	50	JAN140045	23	JAN141737	9	JAN142591	9	JH75778	7
250130	45	JAN140409	59	JAN141738	40	JAN142615	13	JH78750	60
250160	23	JAN140732	15	JAN141740	9	JAN142633	54	JJ16436	32
250160	47	JAN140906	23	JAN141741	9	JAN142641	15	JJD3207	12
250200	45	JAN140907	23	JAN141743	41	JAN142655	71	JJD7427	15
251600	70	JAN140948	32	JAN141744	41	JAN142665	8	JJD7819	7
251630	35	JAN140949	32	JAN141745	41	JAN142665	36	JJD8191	12
251670	35	JAN140993	50	JAN141746	41	JAN142680	71	JJD8214	12
251680	35	JAN140997	51	JAN141747	41	JAN142705	35	JJD8271	10
251690	35	JAN140998	51	JAN141755	47	JAN142706	35	JJD8576	28
252260	63	JAN140999	51	JAN141761	8	JAN142707	5	JJD8576	29
		JAN141006	47	JAN141761	36	JAN142708	43	JJD8576	30
E035004	47	JAN141007	47	JAN141766	23	JAN142712	56	JJD8576	31
E096004	10	JAN141050	19	JAN141767	25	JAN142719	56	JJD8576	50
E276030	64	JAN141056	32	JAN141772	25	JAN152435	64	JJD8646	45
E281004	25	JAN141057	28	JAN141772	49	JAN182235	12	JJD8813	17
E281004	28	JAN141057	32	JAN141772	62	JAN183318	10	JJD8985	15

Index

PART NUMBER	PAGE	PART NUMBER	PAGE	PART NUMBER	PAGE	PART NUMBER	PAGE	PART NUMBER	PAGE
JJD8988	10	JN142761	20	JN144713	18	JN145982	17	JN5053DN	15
JJD9275	28	JN142785	27	JN144714	18	JN145984	28	JN60951	41
JJD9353	28	JN142786	31	JN144715	18	JN145984	45	JN6218DN	46
JJD9353	45	JN14279	18	JN144716	18	JN146075	53	JN70317	45
JL1713C	17	JN14279	20	JN144729	47	JN146112	64	JN70317	50
JL1830C	12	JN142841	28	JN144746	25	JN146293	57	JN70509	15
JL877C	46	JN14287	18	JN144751	25	JN146299	9	JN71525	45
JM17429	5	JN14287	20	JN144752	46	JN146304	9	JN71574	51
JM2118T	39	JN14289	20	JN144753	46	JN146305	10	JN71610	19
JM565M	7	JN142901	32	JN144754	41	JN146306	9	JN71638	19
JM61795	5	JN142902	31	JN144758	45	JN146355	37	JN71682	19
JN100101	18	JN142913	54	JN144766	43	JN146493	71	JN71683	19
JN100101	20	JN142918	52	JN144771	5	JN146502	70	JN72037	45
JN100256	6	JN142942	48	JN144776	5	JN146513	39	JN7205DN	37
JN100256	18	JN142988	28	JN144786	39	JN146598	54	JN72097	50
JN100256	20	JN142988	35	JN144790	40	JN146693	72	JN72119	15
JN10077	25	JN142988	71	JN144796	48	JN146694	72	JN72120	15
JN10077	27	JN142995	5	JN144797	48	JN146720	11	JN72121	15
JN10077	49	JN142996	5	JN144798	42	JN146732	7	JN72223	39
JN10077	71	JN143000	52	JN144799	42	JN146841	54	JN72550	15
JN103619	19	JN143008	29	JN144807	40	JN146843	54	JN72675	15
JN108241	56	JN143008	31	JN144812	35	JN146858	9	JN72679	50
JN108302	45	JN143019	8	JN144812	41	JN146861	73	JN73390	59
JN108387	18	JN143025	48	JN144817	36	JN146862	73	JN73401	17
JN108387	20	JN143038	11	JN144820	8	JN146863	73	JN73405	59
JN109877	37	JN143038	36	JN144831	41	JN146864	73	JN85583	62
JN115724	19	JN143074	50	JN144832	41	JN146865	73	JP730M	29
JN117044	19	JN143152	13	JN144838	36	JN146869	53	JP730M	30
JN117340	60	JN143444	51	JN144839	36	JN146962	7	JP730M	31
JN123156	28	JN143712	55	JN144859	45	JN146992	7	JPT1296	68
JN123156	45	JN143879	23	JN144860	42	JN147010	5	JPT9319	68
JN123157	19	JN143924	19	JN144861	43	JN147036	17	JPT9320	68
JN123158	8	JN143944	35	JN144862	52	JN147126	13	JR20759	5
JN123158	36	JN143982	39	JN144863	32	JN147127	8	JR20759	53
JN130537	45	JN144004	39	JN144869	53	JN147173	15	JR26375	57
JN132040	58	JN144019	27	JN144873	49	JN147174	17	JR26375	58
JN13369	57	JN144534	12	JN144887	48	JN147175	17	JR26375	62
JN137069	35	JN144590	43	JN144893	46	JN147176	15	JR26448	60
JN137475	42	JN144591	43	JN144894	46	JN147180	36	JR26906	56
JN140028	27	JN144592	43	JN144895	46	JN147190	13	JR27218	60
JN140077	15	JN144596	43	JN144896	46	JN147198	55	JR28782	57
JN140476	57	JN144598	43	JN144898	36	JN147199	55	JR29936	62
JN141028	36	JN144623	8	JN144902	43	JN147202	27	JR30817	62
JN141361	18	JN144623	36	JN144903	23	JN147204	29	JR33026	12
JN141361	19	JN144641	39	JN144904	23	JN147213	8	JR47861	67
JN141361	20	JN144642	39	JN144904	62	JN147214	8	JR54467	67
JN142238	29	JN144643	39	JN144906	5	JN147215	8	JR69109	67
JN142238	30	JN144644	39	JN144909	39	JN147228	70	JS136M	39
JN142238	31	JN144648	39	JN144911	39	JN147232	71	JT24514	7
JN142325	29	JN144649	39	JN144920	23	JN147258	27	JU42355	57
JN142325	30	JN144650	39	JN145108	40	JN147291	37	JW16923	6
JN142378	28	JN144654	39	JN145162	39	JN147301	43		
JN142486	51	JN144655	42	JN145597	42	JN147302	43		
JN142503	29	JN144656	42	JN145632	39	JN147303	43	TG0769	19
JN142503	30	JN144664	53	JN145858	64	JN147304	43		
JN142507	48	JN144666	53	JN145859	64	JN152000	15		
JN142716	15	JN144667	53	JN145860	64	JN153973	64		
JN142719	17	JN144668	53	JN145861	64	JN156484	57		
JN142742	15	JN144672	39	JN145970	17	JN170771	50		
JN142745	20	JN144693	40	JN145971	17	JN185041	42		
JN142753	23	JN144697	41	JN145972	17	JN185041	56		
JN142754	28	JN144704	27	JN145977	17	JN5044DN	28		
JN142755	45	JN144706	32	JN145980	17	JN5044DN	45		
JN142756	23	JN144709	31	JN145981	17	JN5044DN	50		



