

MILLER PRO

HIGH LIFT DUMP BOX

PARTS BOOK

MODEL 9016

19.00675



St. Nazianz, WI 54232
(920) 773-2121

Issue Date: 11/98



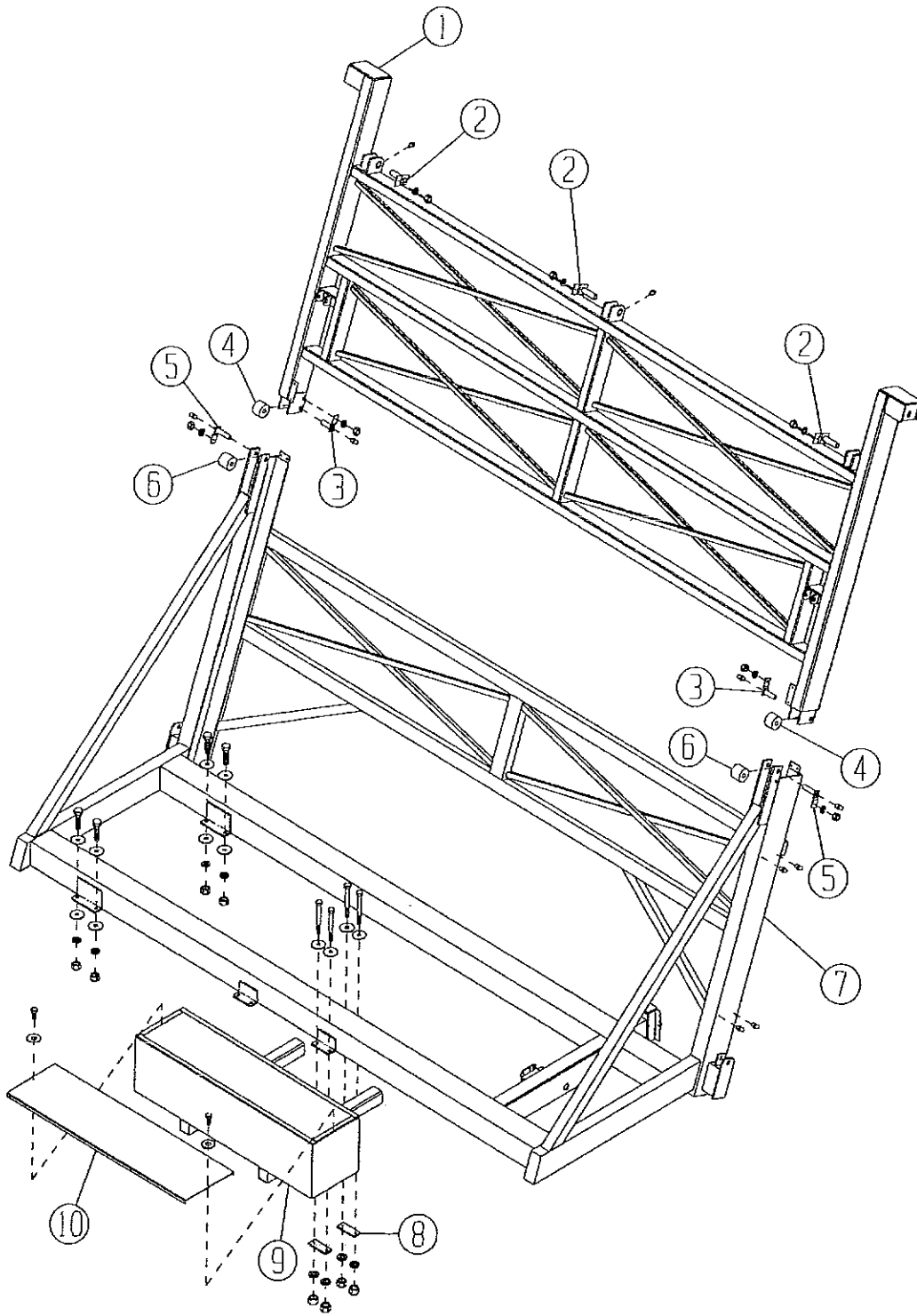
HIGH LIFT DUMP BOX
MODEL 9016

19.00675

TABLE OF CONTENTS

Description	Parts List Page # 's	Illustration Page # 's
Frame, Elevator & Weight Box	3	2
Roof Assembly	5	4
Running Gear	7,9	6,8
Hydraulic System	11,13	10,12
Hydraulic Cylinder	15	14
Electrical	17	16
Brakes	19	18
Brake Poles	21	20
Tank & Decals	23	22
Parts Index	24,25,26	

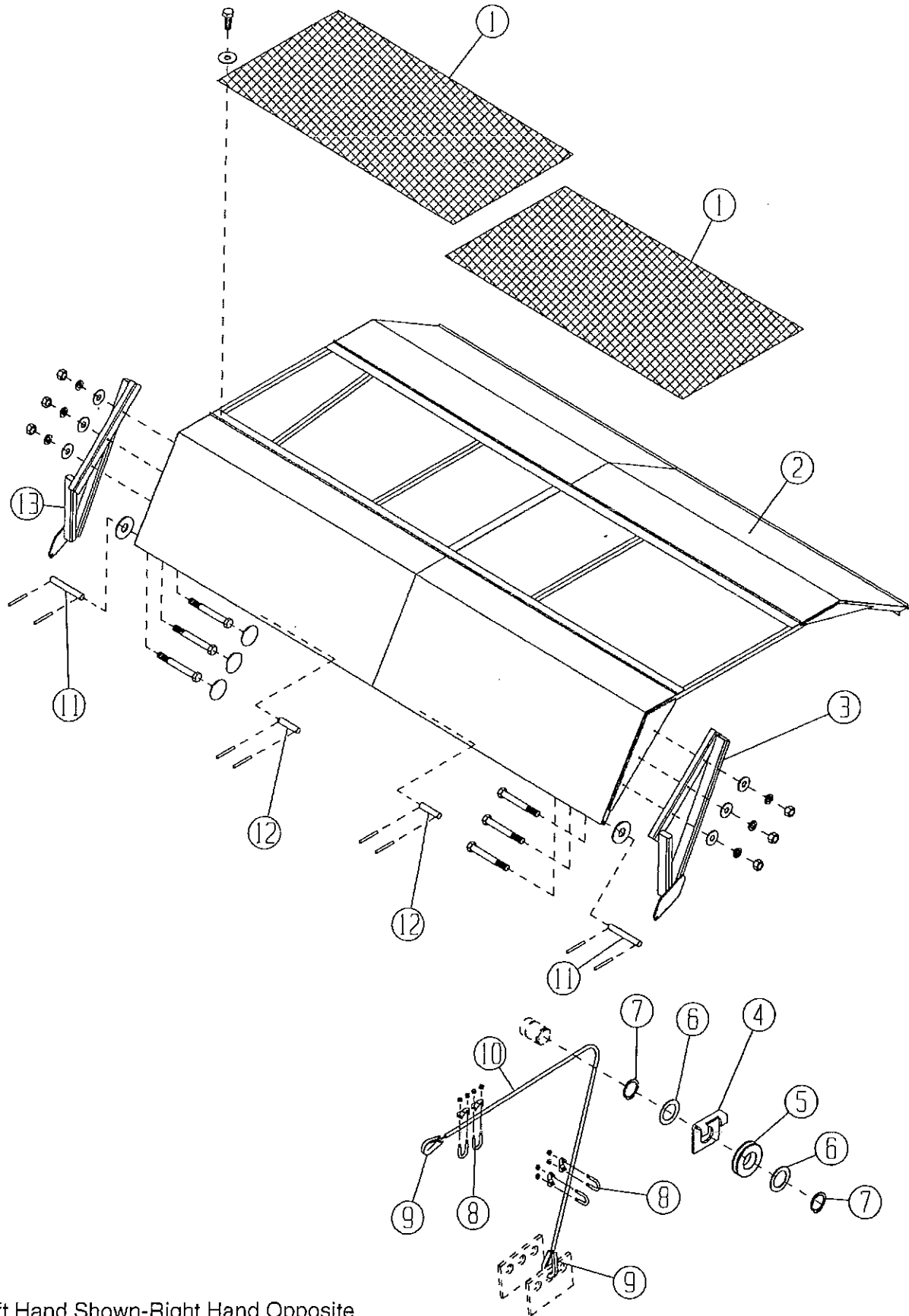
FRAME, ELEVATOR & WEIGHT BOX



Left Hand Shown-Right Hand Opposite

Item	Part No.	Quantity	Description
1	19.00484.1	1	Elevator-9016
	900538	3	Fitting, Grease 1/4-28
2	19.00639	3	Pin-Tank Pivot
	901105	3	Flatwasher, 3/8
	900504	3	Lockwasher, 3/8
	900366	3	Nut, Hex, 3/8-16
3	19.00644	2	Pin, Lower Roller
	900538	2	Fitting, Grease, 1/4-28
	901105	2	Flatwasher, 3/8
	900504	2	Lockwasher, 3/8
4	900366	2	Nut, Hex, 3/8-16
	19.00454	2	Lower Roller
5	19.00643	2	Pin-Upper Roller
	900538	2	Fitting, Grease 1/4-28
	901105	2	Flatwasher, 3/8
	900504	2	Lockwasher, 3/8
6	900366	2	Nut, Hex, 3/8-16
	19.00453	2	Upper Roller
7	19.00483.1	1	Frame (LH)
	19.00719.1	1	Frame (RH)
	903832	8	Bolt, Hex, 5/8-11 x 2 1/2 Gr5
	900498	16	Flatwasher, 5/8
	900508	8	Lockwasher, 5/8
	900371	8	Nut, Hex, 5/8-11
8	19.00663.7	4	Strap, Weight Box
	900498	8	Flatwasher, 5/8
	900508	8	Lockwasher, 5/8
	900371	8	Nut, Hex, 5/8-11
9	09.73710	8	Bolt, Hex, 5/8-11 x 6 1/2 Gr5
	19.00664.7	1	Weight Box
10	19.00492.7	1	Weight Box Cover
	09.71113	2	Bolt, Hex, 5/16-18 x 1, Special
	900494	2	Flatwasher, 5/16

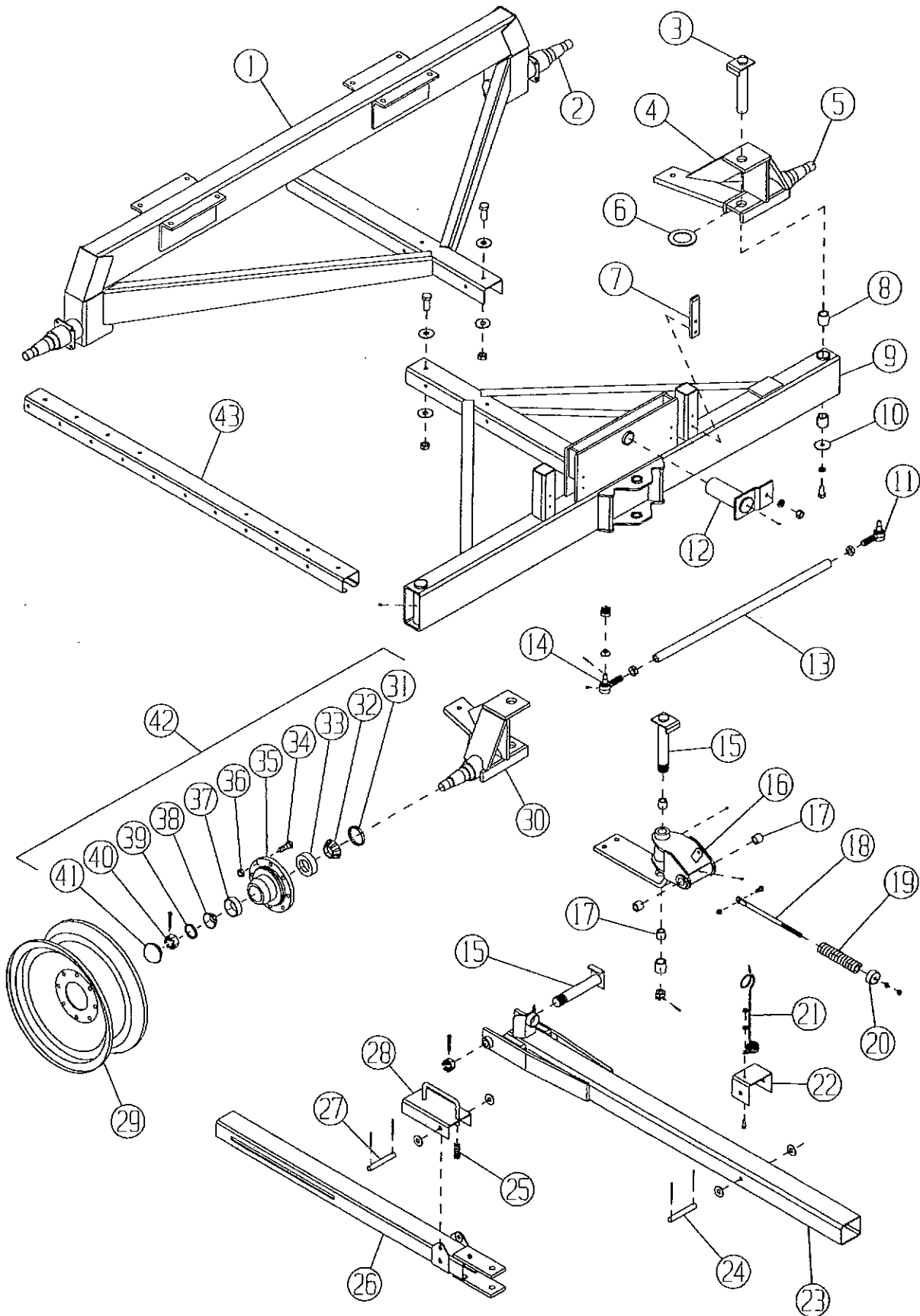
ROOF ASSEMBLY



Left Hand Shown-Right Hand Opposite

Item	Part No.	Quantity	Description
1	19.00624.7	2	Expanded Metal-13Ga
	907120	43	Screw, TEK #10-16
	09.70891	43	Flatwasher, 3/16 x 1
2	19.00596.1	1	Roof Weldment (LH)
	19.00711.1	1	Roof Weldment (RH)
3	19.00613.1	1	Roof Opener
	900497	3	Flatwasher, 1/2
	900506	3	Lockwasher, 1/2
	900369	3	Nut, Hex, 1/2-13
	902931	3	Bolt, Hex, 1/2-13 x 4 Gr5
4	19.00040.5	2	Guide, Cable
5	19.00039	2	Pulley
6	903475	4	Machine Bushing, 1 1/4
7	19.00023	4	Retaining Ring, 1 1/4 Ext, Heavy
8	900143	8	Cable Clamp 1/4
9	19.00332	4	Thimble, Cable 1/4
10	19.00314	2	Cable-Roof
11	19.00690	2	Pin, 3/4 x 6
	900499	2	Flatwasher, 3/4
	901292	4	Cotter Pin, 5/32 x 1 1/4
12	19.00689	2	Pin, 3/4 x 4.5
	901292	4	Cotter Pin, 5/32 x 1 1/4
13	19.00620.1	1	Roof Opener
	900497	3	Flatwasher, 1/2
	900506	3	Lockwasher, 1/2
	900369	3	Nut, Hex, 1/2-13
	902931	3	Bolt, Hex, 1/2-13 x 4 Gr5
	19.00688	3	Plug, 1 1/2 ID Plastic

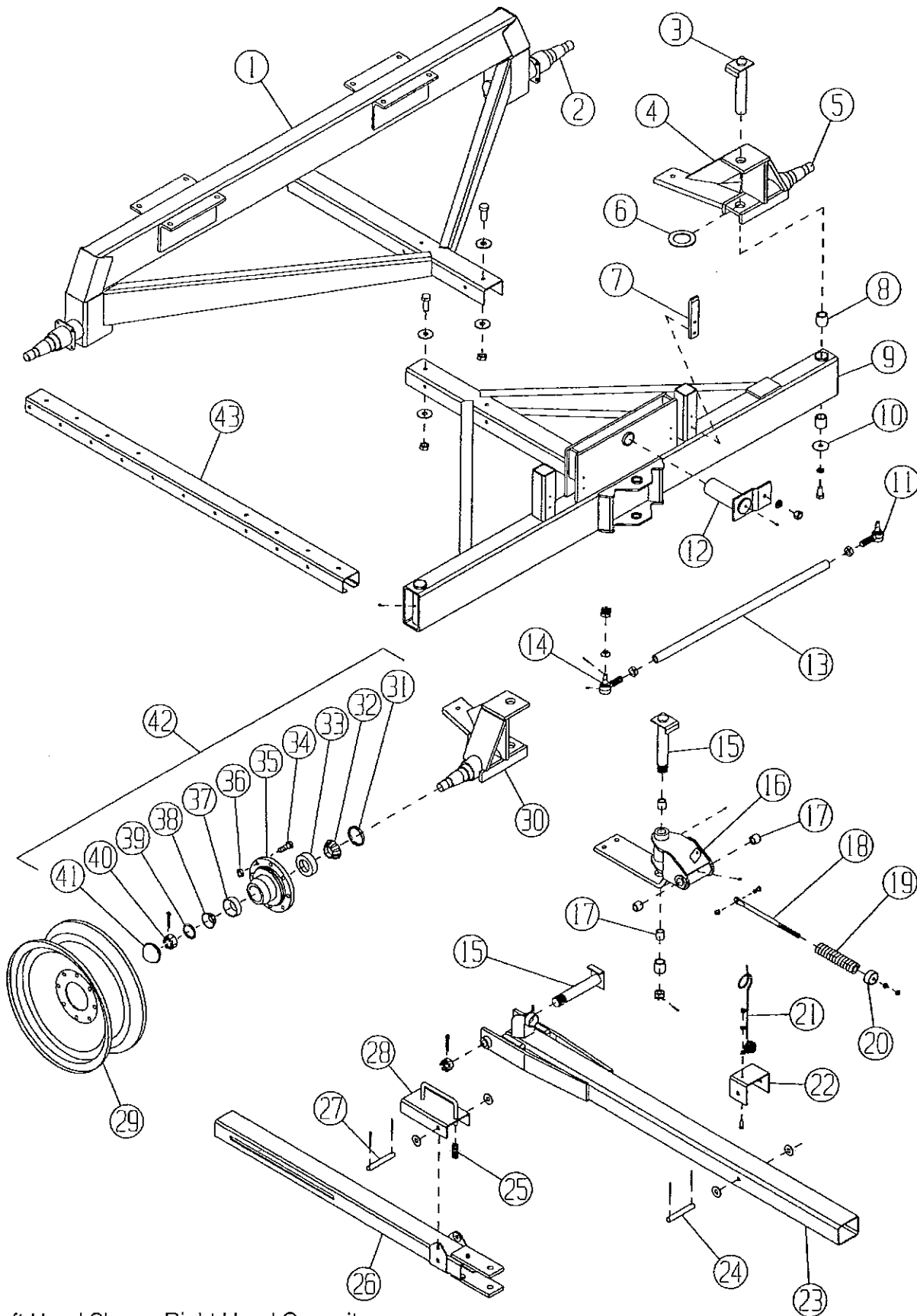
RUNNING GEAR



Left Hand Shown-Right Hand Opposite

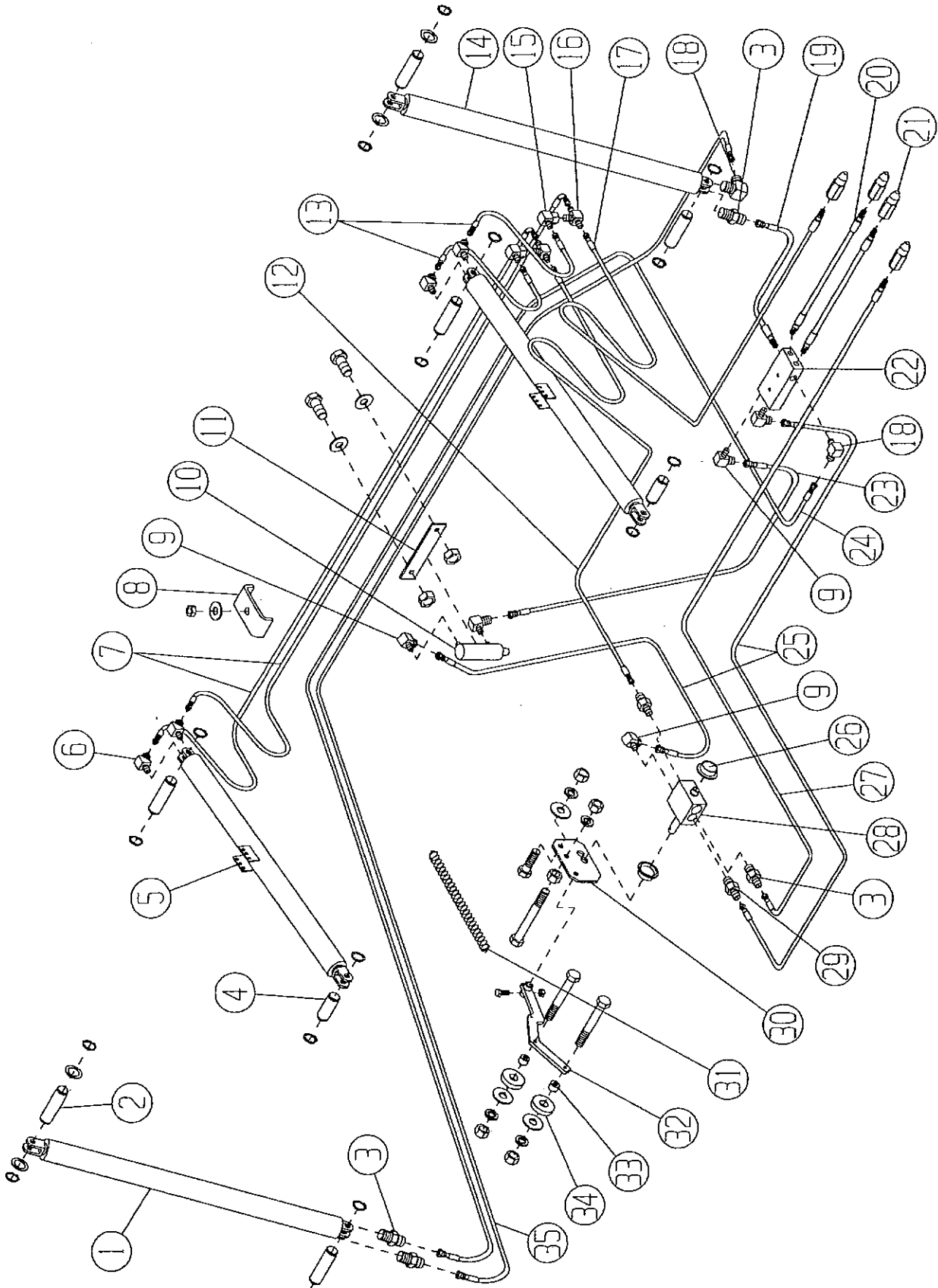
Item	Part No.	Quantity	Description
1	19.00589.7	1	Bolster, Rear 9016 LH
	19.00709.7	1	Bolster, Rear 9016 RH
	904253	6	Bolt, Hex, 5/8-11 x 2 Gr5
	09.70954	12	Flatwasher, 5/8 HT
	906402	6	Nut, Lock, 5/8-11 Nyl Ins
2	19.00587	2	Spindle, 3.5 x 19.0
3	19.00665.7	2	King Pin Assy
4	19.00645.7	1	Trunnion, LH 3.5 Spindle
5	19.00588	2	Spindle 3.5 x 13.11
6	19.00480	2	Flatwasher, 3.12 x 4.75 x .25
7	19.00669	8	Wear Pad, Bolster
	09.71123	16	Screw, Cap, 5/16-18 x 1 BTN
8	19.00080	4	Bushing, 1 3/4 x 2 1/8 x 2
9	19.00499.7	1	Bolster, Front LH
	19.00707.7	1	Bolster, Front RH
	904253	6	Bolt, Hex, 5/8-11 x 2, Gr5
	09.70954	12	Flatwasher, 5/8 HT
	906402	6	Nut, Lock, 5/8-11 Nyl Ins
	902374	2	Fitting, Grease, 1/4-28 45 Deg
10	22.37147	2	Flatwasher, 78 x 2.75 .18
	900700	2	Lockwasher, 3/4
	904777	2	Bolt, Hex, 3/4-10 x 1 1/2 Gr5
11	12.10303	2	Ball Joint Kit LH (Includes Ball Joint, Boot, Nut, Pin & Fitting)
	12.10374	2	Nut, Jam 1-16 LH
12	19.00642	1	Bolster Pin Assy
	900538	1	Fitting, Grease 1/4-28
	900497	1	Flatwasher, 1/2
	900506	1	Lockwasher, 1/2
	900369	1	Nut, Hex, 1/2-13
13	19.00451.7	2	Tie Rod, 1.5 x 41
14	12.10304	2	Ball Joint Kit RH (Includes Ball Joint, Boot, Nut, Pin & Fitting)
	12.10375	2	Nut, Jam 1-16
15	12.10606.7	2	Hitch Pin, 1 1/4 x 12-5/8
	904866	2	HHD Nut, Castle, 1 1/4-7
	09.73906	2	Pin, Cotter, 5/16 x 2 1/2
16	12.10665.7	1	Hitch Box
	900538	2	Fitting Grease, 1/4-28
17	16.10645	4	Bushing, 1.25 x 1.50 x 2
18	12.10495	1	Bolt, 3/4 Spade
	900372	2	Nut, Hex, 3/4
	900414	1	Bolt, Hex, 1/2-13 x 2
	906401	1	Nut, Lock, 1/2-13 Nyl Ins
19	12.10056	1	Spring, Compression
20	12.10497.7	1	Guide, Spring
21	07.06420.7	1	Bracket, Hose
22	19.00713.7	1	Bracket, Hose Hanger
	902915	1	Flatwasher, 7/16
	09.70731	1	Nut, Lock, 7/16-14 Nyl Ins
	904871	1	Bolt, Hex, 7/16-14 x 1 1/4 Gr5

RUNNING GEAR, continued



Left Hand Shown-Right Hand Opposite

HYDRAULIC SYSTEM

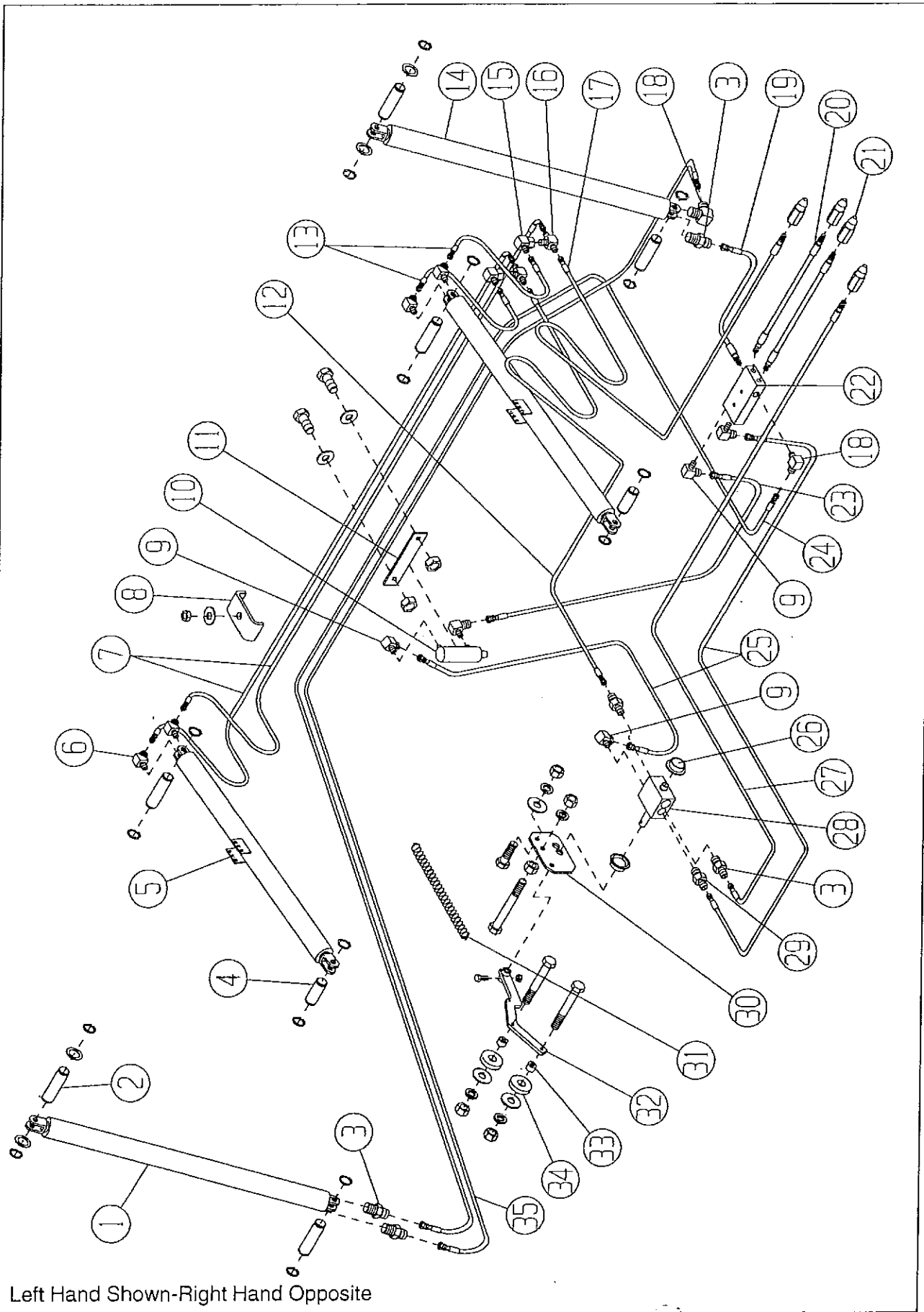


Left Hand Shown-Right Hand Opposite

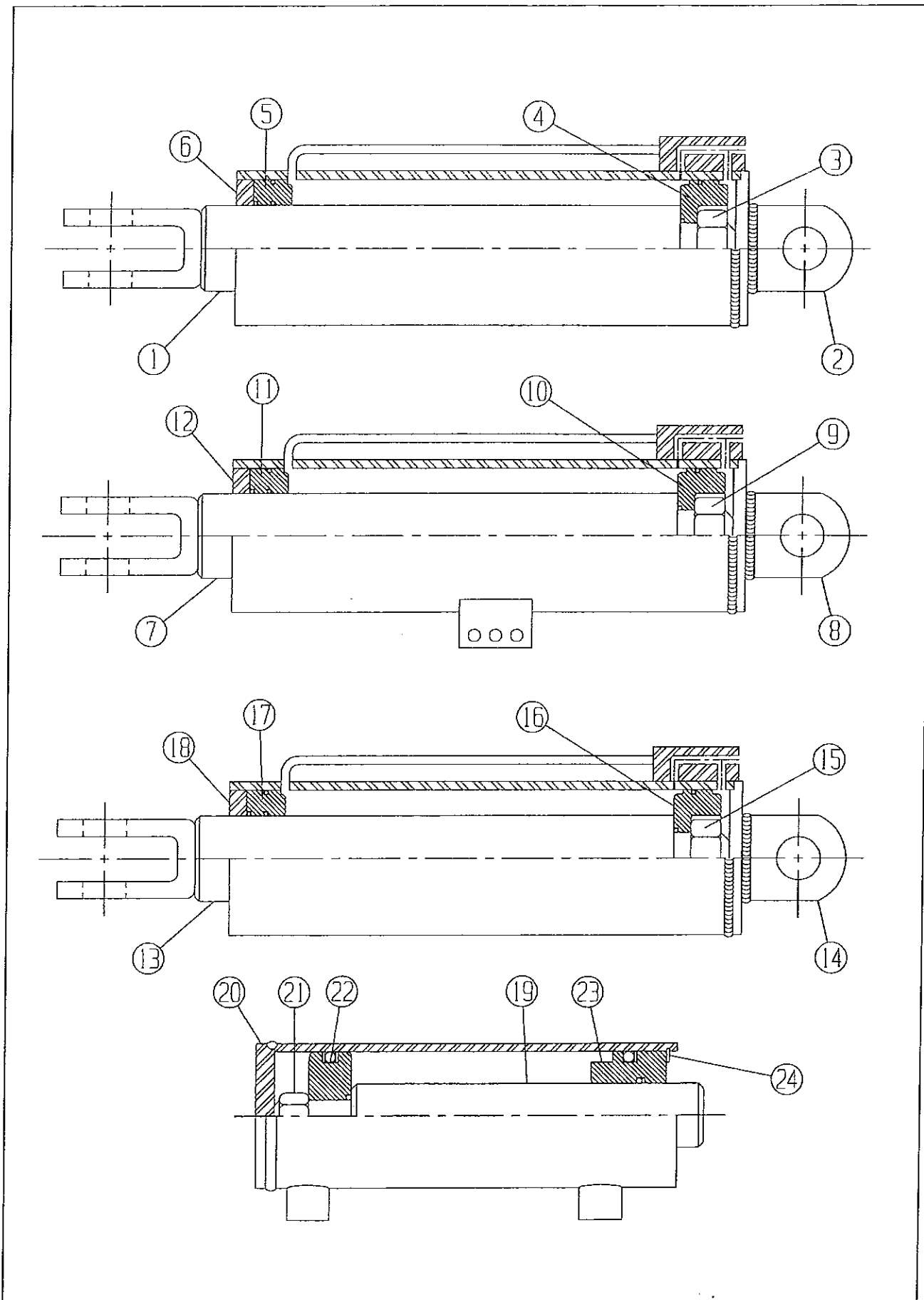
19.00675 Issue Date 11/98

Item	Part No.	Quantity	Description
1	19.00042.1	1	Cylinder 5.0 x 74.5 x 3
2	19.00629	6	Cylinder Mount Pin 1.25 x 4.88
	19.00023	12	Retaining Ring, 1 1/4 Ext, Heavy
	903475	4	Machine Bushing, 1 1/4
3	09.74155	5	Fitting, Connector, 37 Deg FI-Orb
4	19.00630	2	Cylinder, Mount Pin, 1.25 x 3.50
	19.00023	4	Retaining Ring, 1 1/4 Ext, Heavy
5	19.00388.1	2	Cylinder, 4.0 x 68 x 2.5
6	09.74156	4	Fitting, 45 Elbow, 37 Deg FI-Orb
7	19.00567	2	Hose Assy, 224"
8	322848B1.7	17	Clip, Hydraulic Line
	901105	16	Flatwasher, 3/8
	902291	16	Nut, Lock, 3/8-16
	900494	2	Flatwasher, 5/16
	906483	2	Nut, Lock, 5/16-18 Nyl Ins
9	07.17946	5	Fitting, 90 Elbow, 37 Deg FI-Orb
10	19.00461.7	1	Cylinder, 3 x 6 x 1.5
11	19.00520.7	1	Strap, Stabilizer
	902928	2	Bolt, Hex, 1/2-13 x 1 1/4 G5
	900506	2	Lockwasher, 1/2
	900369	2	Nut, Hex, 1/2-13
12	19.00565	1	Hose Assy, 160"
13	19.00566	2	Hose Assy, 22"
14	19.00043.1	1	Cylinder, 4.0 x 74.5 x 2.5
15	09.74149	2	Fitting, 90 Elbow, 37 Deg FI, 3/4-16
16	09.74123	2	Fitting, Tee, 37 Deg FI, 3/4-16
17	19.00563	1	Hose Assy, 234"
18	09.74145	2	Fitting, 90 Elbow, 37 Deg FI-Orb
19	19.00572	1	Hose Assy, 51"
20	19.00571	2	Hose Assy, 120"
21	07.19044	4	Male Pioneer, 1/2" CPLR
22	19.800249	1	Hydraulic Manifold- SAE Ports
23	19.00568	1	Hose Assy, 48"
24	19.00573	1	Hose Assy, 300"
25	19.00569	2	Hose Assy, 57"
26	19.00684	2	Bushing, Valve
27	19.00564	1	Hose Assy, 189"
28	19.00683	1	Stabilizer, Valve Assy (LH)
	19.00661	1	Stabilizer, Valve Assy (RH)
	19.00733		Seal Kit, Stabilizer Valve
29	07.17911	1	Fitting, Connector, 37 Deg FI-Orb
30	19.00716.7	1	Plate, Valve
	902928	2	Bolt, Hex, 1/2-13 x 1 1/4 Gr5
	901937	2	Flatwasher, 1/2
	900506	2	Lockwasher, 1/2
	900369	2	Nut, Hex, 1/2-13
	902675	1	Bolt, Hex, 1/2-13 x 3, Gr5
	903772	2	Nut, Hex, 1/2-13 Whiz

HYDRAULIC SYSTEM, continued

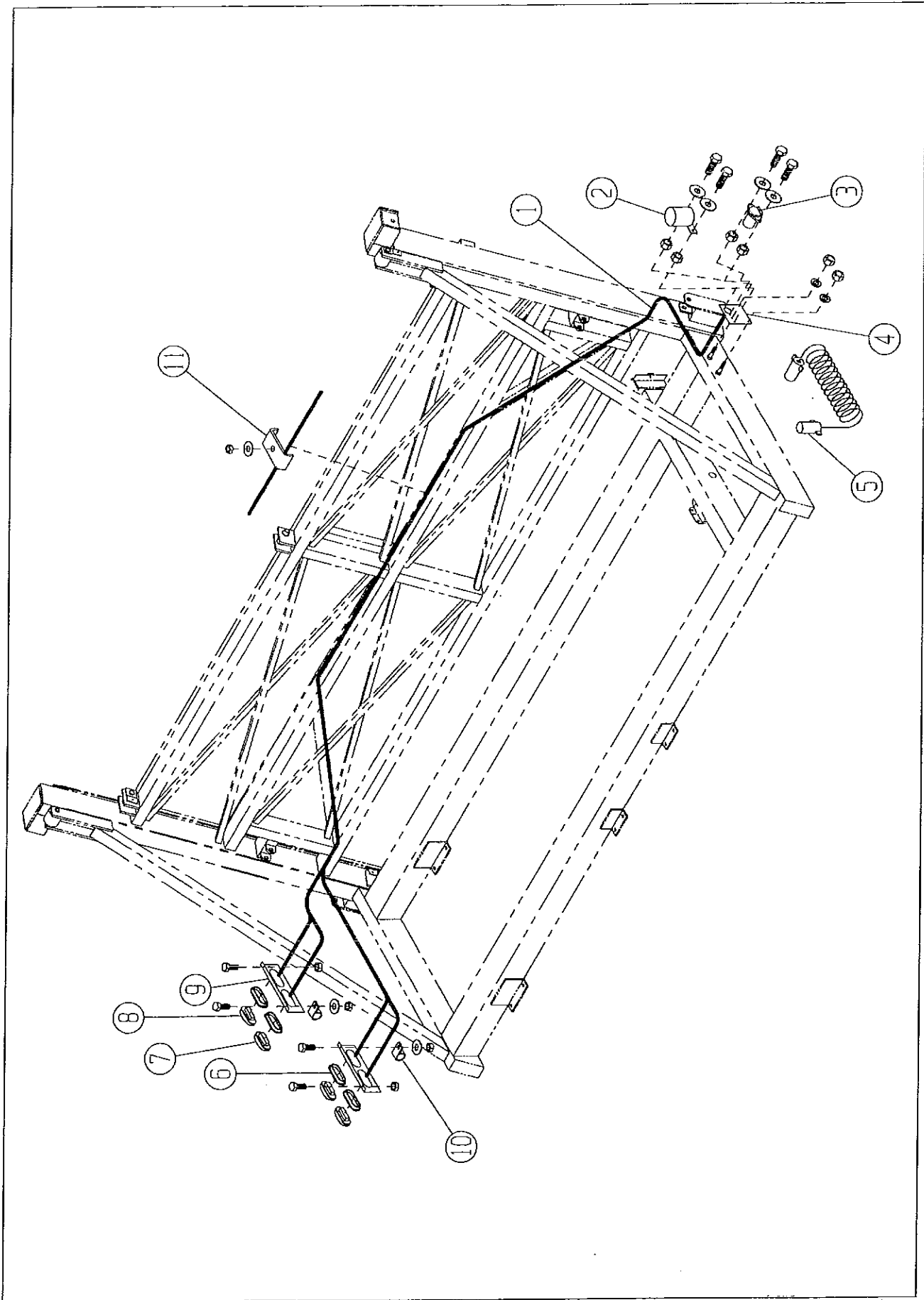


HYDRAULIC CYLINDER



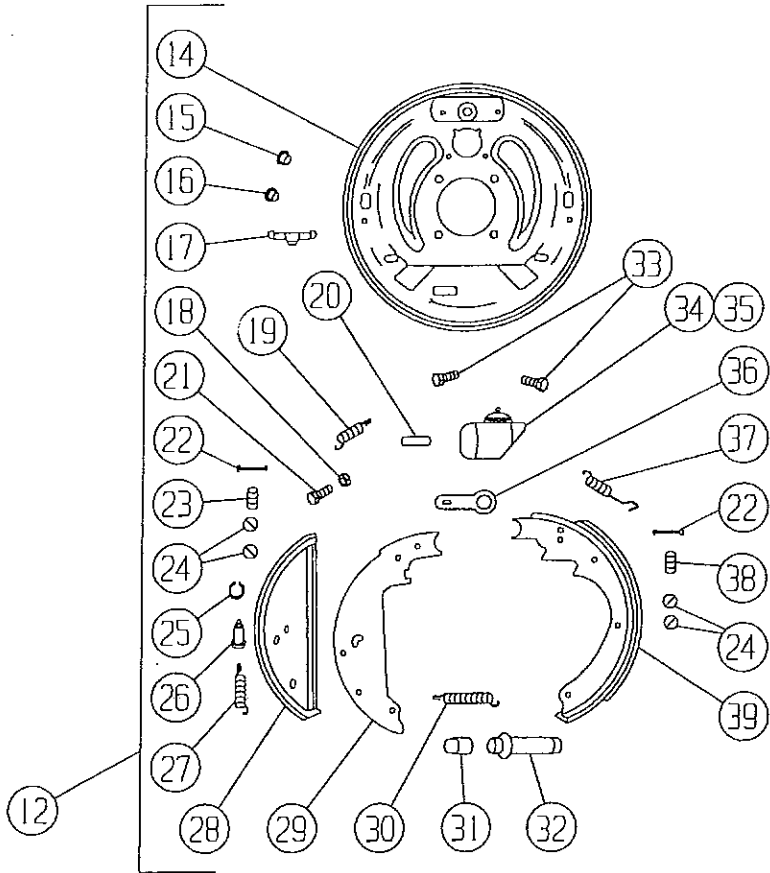
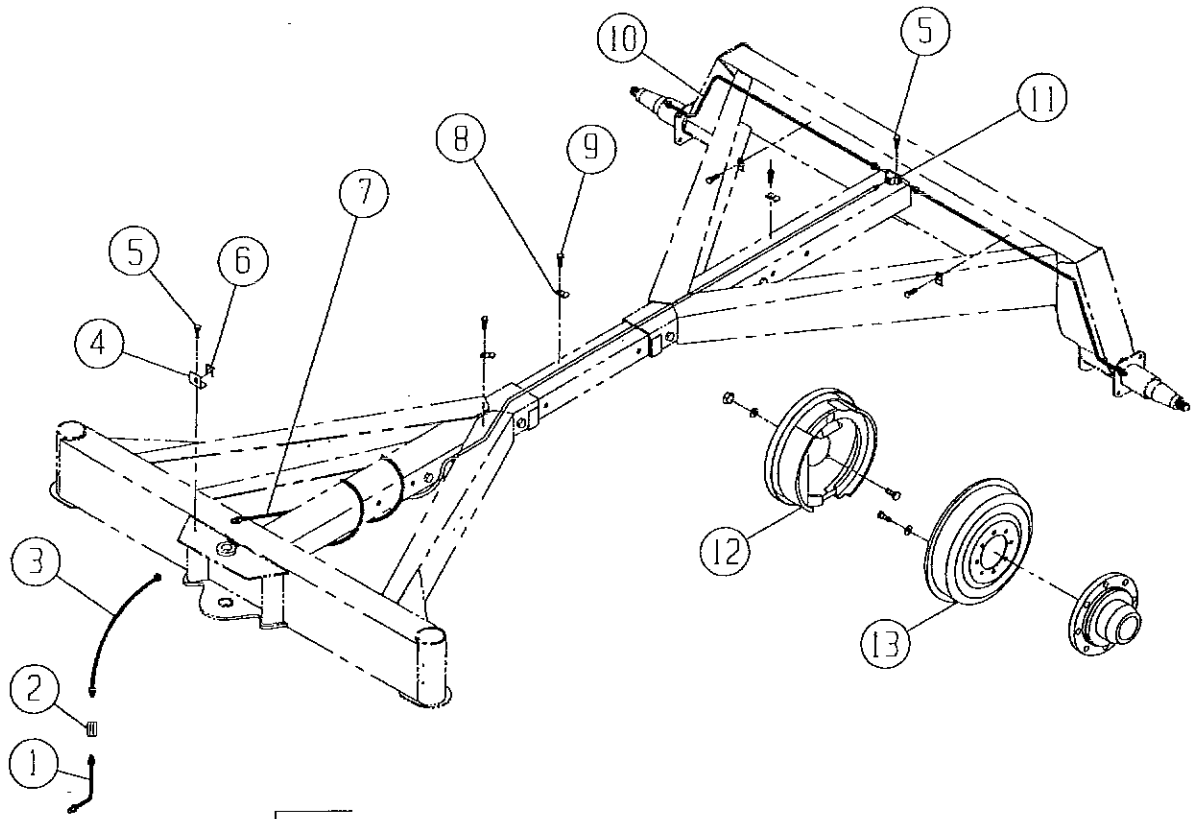
Item	Part No.	Quantity	Description
			4" HYDRAULIC CYLINDER
			FISHER HYDRAULICS
			19.00043
1	19.00122	1	Piston Rod
2	19.00123	1	Butt & Tube Assembly
3	19.00124	1	Nut
4	19.00125	1	Piston
5	19.00126	1	Gland
6	19.00127	1	Locking Ring
	19.00056	1	Seal Kit
			4" HYDRAULIC CYLINDER
			FISHER HYDRAULICS
			19.00388
7	19.00734	1	Piston Rod
8	19.00735	1	Butt & Tube Assembly
9	19.00736	1	Nut
10	19.00737	1	Piston
11	19.00738	1	Gland
12	19.00739	1	Locking Ring
	19.00740	1	Seal Kit
			5" HYDRAULIC CYLINDER
			FISHER HYDRAULICS
			19.00042
13	19.00128	1	Piston Rod
14	19.00129	1	Butt & Tube Assembly
15	19.00130	1	Nut
16	19.00131	1	Piston
17	19.00132	1	Gland
18	19.00133	1	Locking Ring
	19.00055	1	Seal Kit
			3" STABILIZER CYLINDER
			FISHER HYDRAULICS
			19.00461
19	19.00741	1	Piston Rod
20	19.00742	1	Butt & Tube Assy
21	19.00743	1	Nut
22	19.00744	1	Piston
23	19.00745	1	Gland
24	19.00746	1	Locking Ring
	19.00747	1	Seal Kit

ELECTRICAL



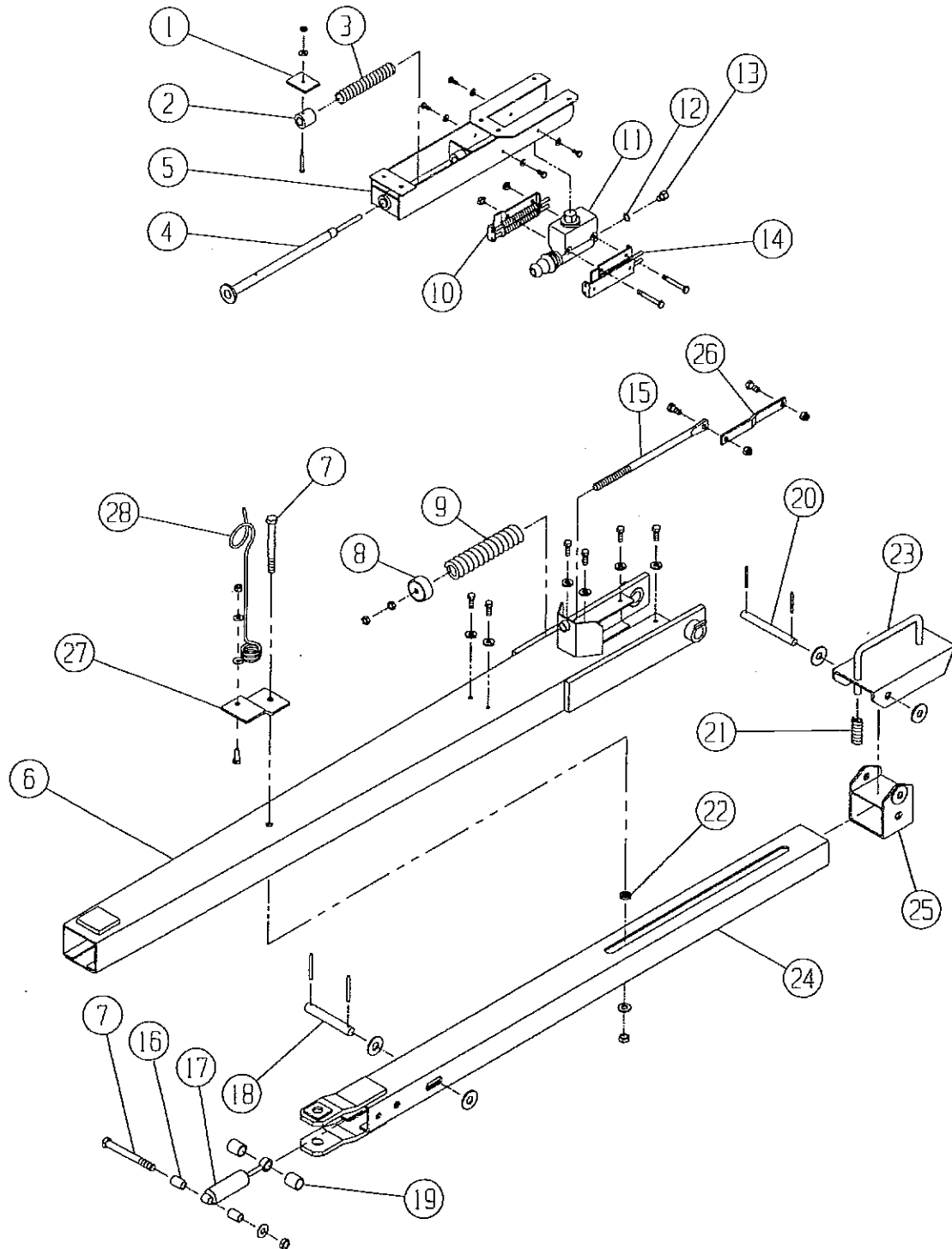
Item	Part No.	Quantity	Description
1	19.00337	1	Wiring Harness
	11.11111	2	Cable Tie, 30
2	16.20165	1	Holder, Plug Storage
	900493	2	Flatwasher, 1/4
	904092	2	Nut, Hex, 1/4-20 Nyl Ins
	903033	2	Bolt, Hex, 1/4-20 x 1 Gr5
3	16.20213	1	Socket, 7 Pole
	900493	2	Flatwasher, 1/4
	904092	2	Nut, Hex, 1/4-20 Nyl Ins
	903033	2	Bolt, Hex, 1/4-20 x 1 Gr5
4	19.00336.7	1	Bracket, Light Socket
	900504	2	Lockwasher, 3/8
	900366	2	Nut, Hex, 3/8-16
5	16.20214	1	Cable, Coil 15' 7 Wire
6	16.20193	4	Grommet, Light
7	16.20192	2	Light, Red
8	16.20191	2	Light, Amber
9	16.20259.7	2	Bracket, Light
	906483	4	Nut, Hex, 5/16-18 Nyl Ins
	902859	4	Bolt, Hex, 5/16-18 x 1 Gr5
	904324	2	Flatwasher, 5/16
10	16.20395	2	Clamp, Hose, 5 ID
11	322848B1.7	7	Clamp, Hyd Line
	901105	7	Flatwasher, 3/8
	902291	7	Nut, Lock, 3/8-16

BRAKES



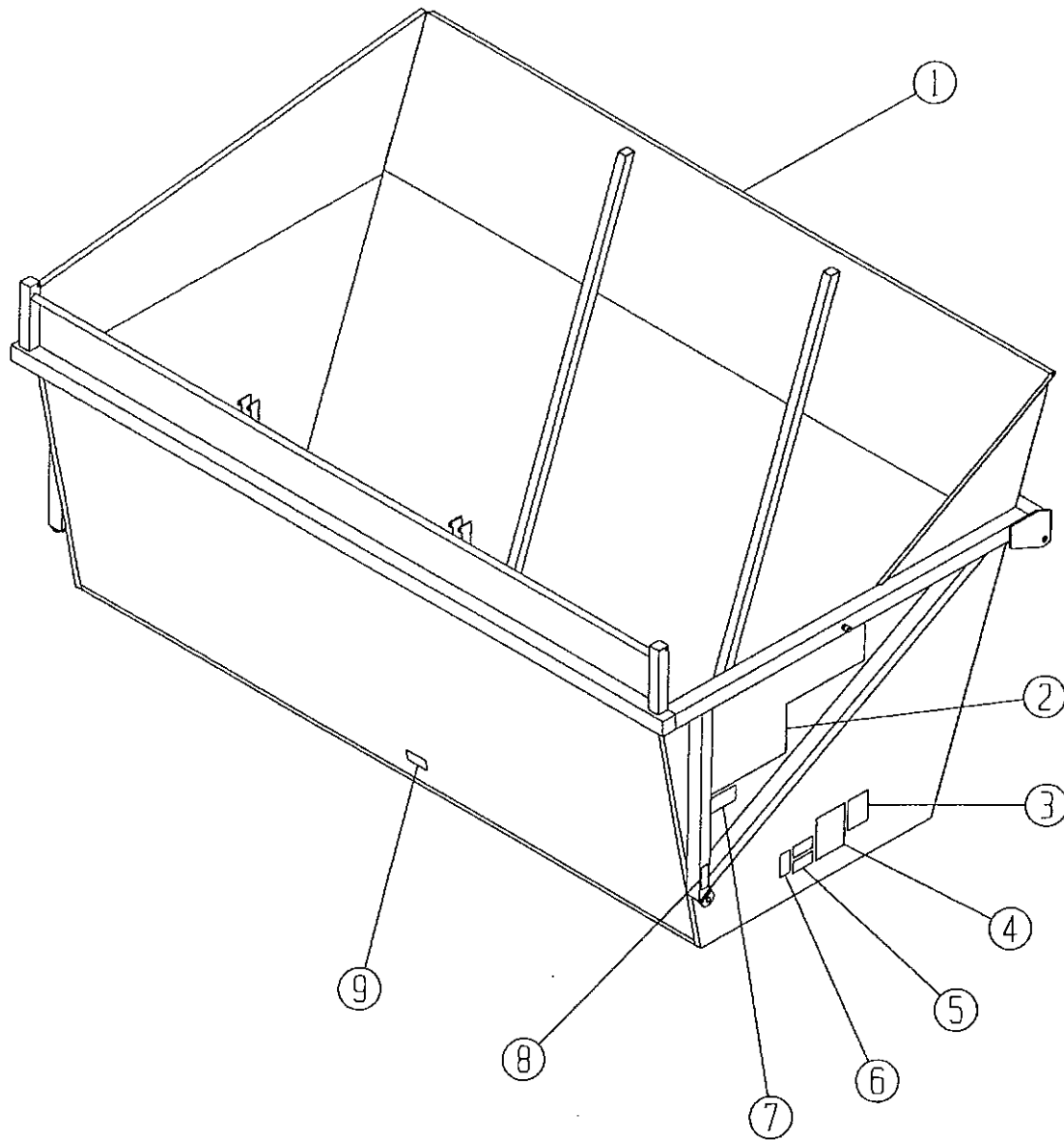
Item	Part No.	Quantity	Description
1	12.10458	1	Tube, 4 1/2
2	12.10445	1	Union
3	12.10446	1	Hose, 18 7/8
4	12.10448	1	Bracket, Hose
5	09.71112	2	Bolt, Hex, 5/16-18 x 3/4 Self Tap
6	12.10449	1	Hose Clip
7	12.10450	1	Brake Line, 15'
8	12.10454	8	Cup, Brake Line
9	903810	8	Screw, #10 x 3/4 Self Tap
10	12.10451	2	Brake Line, 53"
11	12.10447	1	Tee, w/Bracket
12	903193	1	Brake, Left Backing Plate Assy
	903292	4	Bolt, Hex, 1/2-20 x 1, Gr5
	900506	4	Lockwasher, 1/2
	09.70738	4	Nut, Hex, 1/2-20
Not Shown	903192	1	Brake, Right Backing Plate Assy
	903292	4	Bolt, Hex, 1/2-20 x 1, Gr5
	900506	4	Lockwasher, 1/2
	09.70738	4	Nut, Hex, 1/2-20
13	12.10397.5	2	Brake Drum, 13", 2 3/4, Spindle
	903292	16	Bolt, Hex, 1/2-20 x 1 Gr5
	900506	16	Lockwasher, 1/2
14	12.10460	2	Back Plate Assy
15	12.10485	2	Plug, Plastic
16	903259	2	Plug, Plastic
17	903246	2	Cover Plate, Adjusting Hole
18	903936	2	Nut, Lock, 5/16
19	903240	2	Spring, Front Lever (Red)
20	903238	2	Push Rod, Wheel Cylinder
21	903827	2	Bolt, Travel Link
22	903242	4	Pin, Shoe Hold Down
23	903244	2	Spring, Front Hold Down (Yellow)
24	903243	8	Cup, Shoe Hold Down
25	902854	2	Retaining Ring
26	12.10482	2	Pin, Front Side
27	903258	2	Spring, Front Shoe
28	903229	2	Front Brake Shoe Assy
29	903230	2	Front Shoe Lever
30	903239	2	Spring, Adjusting Screw (Yellow)
31	903237	2	Socket, Adjusting Screw
32	12.10467	2	Adjusting Screw & Pivot Nut
33	12.10466	4	Screw & Lockwasher
34	903232	1	Wheel Cylinder Assy, Right
35	903233	1	Wheel Cylinder Assy, Left
36	903255	2	Travel Link
37	903241	2	Spring, Rear Shoe (Orange)
38	903245	2	Spring, Rear Hold Down (Black)
39	903231	2	Rear Shoe Assy

BRAKE POLE



Item	Part No.	Quantity	Description
1	12.10438.5	1	Stop- Inner Bearing
2	12.10438.5	1	Bushing, Bracket Inner
	09.71075	1	Bolt, Hex, 1/4-20 x 2 1/4
	900502	1	Lockwasher, 1/4
	904092	1	Nut, Lock, 1/4-20 Nyl Ins
3	110090A1	1	Spring Compression
4	12.10434	1	Push Rod, Brake
5	12.10407.5	1	Support, Brake
	900389	4	Bolt, Hex, 5/16-18 x 1/2
	900503	4	Lockwasher, 5/16
6	12.10415.5	1	Pole, Brake
	900397	6	Bolt, Hex, 3/8-16 x 1
	900504	6	Lockwasher, 3/8
7	904217	2	Bolt, Hex, 5/8-11 x 5, Gr5
	900498	2	Flatwasher, 5/8
	906402	2	Nut, Lock, 5/8-11 Nyl Ins
8	12.10497.7	1	Guide, Spring
9	12.10056	1	Spring, Compression, .38 x 2.0 x 9.25
10	903280	1	Cylinder Brake Assy, Right
11	12.10440.5	1	Master Cylinder
	902831	2	Bolt, 3/8-16 x 3, Gr5
	906400	2	Nut, Lock, 3/8-16 Nyl Ins
12	903212	1	Gasket, Brake
13	903216	1	Connector, Brake
14	903281	1	Cylinder Brake Assy, Left
15	12.10495	1	Bolt, Spade 3/4
	900372	2	Nut, Hex, 3/4-10
	900414	2	Bolt, Hex, 1/2-13 x 2
	906401	2	Nut, Lock, 1/2-13 Nyl Ins
16	12.10406.5	2	Spacer, Shock Absorber
17	12.10443.5	1	Shock Absorber, Brake
18	12.10436	1	Pin, 7/8 Brake
	09.70970	2	Flatwasher, 7/8
	09.72003	2	Pin, Roll, 3/16 x 2
19	12.10414.5	2	Spacer, Shock Absorber
20	12.10388	1	Pin, 3/4 x 7
	900499	2	Flatwasher, 3/4
	09.72003	2	Pin, Roll, 3/16 x 2
21	12.10490	1	Spring, Compression
22	12.10048.5	1	Spacer
23	12.10360.7	1	Adjuster
24	12.10410.5	1	Pole, Extension, Brake
25	12.10405.5	1	Pivot, Adjuster, Brake
26	12.10674.5	1	Link, Offset
27	19.00726.7	1	Hose Bracket, Brake Pole
	904871	1	Bolt, Hex, 7/16-14 x 1 1/4 Gr5
	902915	1	Flatwasher, 7/16
	09.70731	1	Nut, Lock, 7/16-14 Nyl Ins
28	07.06420.7	1	Hose Bracket

TANK & DECALS



Left Hand Shown-Right Hand Opposite

MILLER PRO

19.00675 Issue Date 11/98

TANK & DECALS

Item	Part No.	Quantity	Description
1	19.00482.1	1	Tank, Model 9016 (LH)
	19.00701.1	1	Tank, Model 9016 (RH)
2	19.00036	2	Decal, Miller Pro
3	19.00677	1	Decal, Caution
4	19.00678	1	Decal, Operating Instructions
5	19.00140	1	Decal, Warning
6	21.09024	1	Decal, High Pressure Oil
7	19.00562	1	Decal, Model 9016
8	01.77890	2	Reflector, Amber
	01.77900	2	Reflector, Red
9	19.00113	4	Decal, Danger

High Lift Dump Box
Model 9016
Parts Index

<u>PART NO.</u>	<u>PAGES</u>	<u>PART NO.</u>	<u>PAGES</u>	<u>PART NO.</u>	<u>PAGES</u>
01.77890	23	12.10415.5	21	19.00036	23
01.77900	23	12.10433.5	21	19.00039	5
07.06420.7	7,21	12.10434	21	19.00040.5	5
07.17911	11	12.10436	21	19.00042.1	11
07.17946	11	12.10438.5	21	19.00043.1	11
07.19044	11	12.10440.5	21	19.00055	15
09.70731	7,21	12.10443.5	21	19.00056	15
09.70738	19	12.10445	19	19.00080	7
09.70891	5	12.10446	19	19.00085	9
09.70954	7	12.10447	19	19.00113	23
09.70970	21	12.10448	19	19.00122	15
09.71075	21	12.10449	19	19.00123	15
09.71112	19	12.10450	19	19.00124	15
09.71113	3	12.10451	19	19.00125	15
09.71123	7	12.10454	19	19.00126	15
09.72003	9,21	12.10458	19	19.00127	15
09.73710	3	12.10460	19	19.00128	15
09.73906	7	12.10466	19	19.00129	15
09.74123	11	12.10467	19	19.00130	15
09.74145	11	12.10482	19	19.00131	15
09.74149	11	12.10485	19	19.00132	15
09.74155	11	12.10490	9,21	19.00133	15
09.74156	11	12.10495	7,21	19.00140	23
11.11111	17	12.10497.7	7,21	19.00149	13
110090A1	21	12.10506	9	19.00151	13
12.10048.5	21	12.10598.7	9	19.00251.7	13
12.10051.7	9	12.10603.7	9	19.00278	13
12.10056	7,21	12.10606.7	7	19.00314	5
12.10303	7	12.10665.7	7	19.00332	5
12.10304	7	12.10674.5	21	19.00336.7	17
12.10360.7	9,21	16.10645	7	19.00337	17
12.10374	7	16.20165	17	19.00388.1	11
12.10375	7	16.20191	17	19.00451.7	7
12.10388	9,21	16.20192	17	19.00453	3
12.10397.5	19	16.20193	17	19.00454	3
12.10405.5	21	16.20213	17	19.00461.7	11
12.10406.5	21	16.20214	17	19.00480	7
12.10407.5	21	16.20259.7	17	19.00482.1	23
12.10410.5	21	16.20395	17	19.00483.1	3
12.10414.5	21	19.00023	5,11	19.00484.1	3

High Lift Dump Box
Model 9016
Parts Index

<u>PART NO.</u>	<u>PAGES</u>	<u>PART NO.</u>	<u>PAGES</u>	<u>PART NO.</u>	<u>PAGES</u>
19.00492.7	3	19.00688	5	65.10110	9
19.00499.7	7	19.00689	5	65.10125	9
19.00520.7	11	19.00690	5	900143	5
19.00562	23	19.00701.1	23	900366	3,17
19.00563	11	19.00704.7	13	900369	5,7,11
19.00564	11	19.00707.7	7	900369	13
19.00565	11	19.00709.7	7	900371	3
19.00566	11	19.00711.1	5	900372	7,21
19.00567	11	19.00713.7	7	900389	21
19.00568	11	19.00716.7	11	900397	21
19.00569	11	19.00719.1	3	900414	7,21
19.00571	11	19.00726.7	21	900493	17
19.00572	11	19.00733	11	900494	3,11
19.00573	11	19.00734	15	900497	5,7,13
19.00574	13	19.00735	15	900498	3,21
19.00586	9	19.00736	15	900499	5,9,21
19.00587	7	19.00737	15	900502	21
19.00588	7	19.00738	15	900503	21
19.00589.7	7	19.00739	15	900504	3,17,21
19.00596.1	5	19.00740	15	900506	5,7,11,
19.00613.1	5	19.00741	15	900506	13,19
19.00620.1	5	19.00742	15	900508	3
19.00624.7	5	19.00743	15	900538	3,7
19.00629	11	19.00744	15	900700	7
19.00630	11	19.00745	15	901105	3,11,17
19.00639	3	19.00746	15	901292	5
19.00642	7	19.00747	15	901937	11
19.00643	3	19.00748	9	902050	13
19.00644	3	19.00749	9	902291	11,17
19.00645.7	7	19.00750	9	902374	7
19.00646.7	9	19.00751	9	902603	13
19.00661	11	19.800249	11	902675	11
19.00663.7	3	21.09024	23	902831	21
19.00664.7	3	22.37147	7	902854	19
19.00665.7	7	322848B1.7	11,17	902859	17
19.00669	7	65.10100	9	902915	7,21
19.00677	23	65.10102	9	902928	11
19.00678	23	65.10104	9	902931	5
19.00683	11	65.10106	9	903033	17
19.00684	11	65.10108	9	903192	19

High Lift Dump Box
Model 9016
Parts Index

<u>PART NO.</u>	<u>PAGES</u>	<u>PART NO.</u>	<u>PAGES</u>	<u>PART NO.</u>	<u>PAGES</u>
903193	19	906483	11,13		
903212	21	906483	17		
903216	21	907120	5		
903229	19				
903230	19				
903231	19				
903232	19				
903233	19				
903237	19				
903238	19				
903239	19				
903240	19				
903241	19				
903242	19				
903243	19				
903244	19				
903245	19				
903246	19				
903255	19				
903258	19				
903259	19				
903280	21				
903281	21				
903292	19				
903475	5,11				
903772	11				
903810	19				
903827	19				
903832	3				
903936	19				
904092	17,21				
904217	21				
904253	7				
904324	17				
904777	7				
904866	7				
904871	7,21				
906400	21				
906401	7,21				
906402	7,21				