

MILLER PRO

FORAGE BLOWER

PARTS BOOK

MODEL 1060 AND 1060 SERIES II

23.00010E

This parts book is furnished for your convenience only. All parts must be purchased through an authorized dealer. Call us for a dealer near you.



511 East Main Street
St. Nazianz, WI 54232
Telephone: 920-773-2121
Fax: 920-773-1200

Issue Date: 11/05

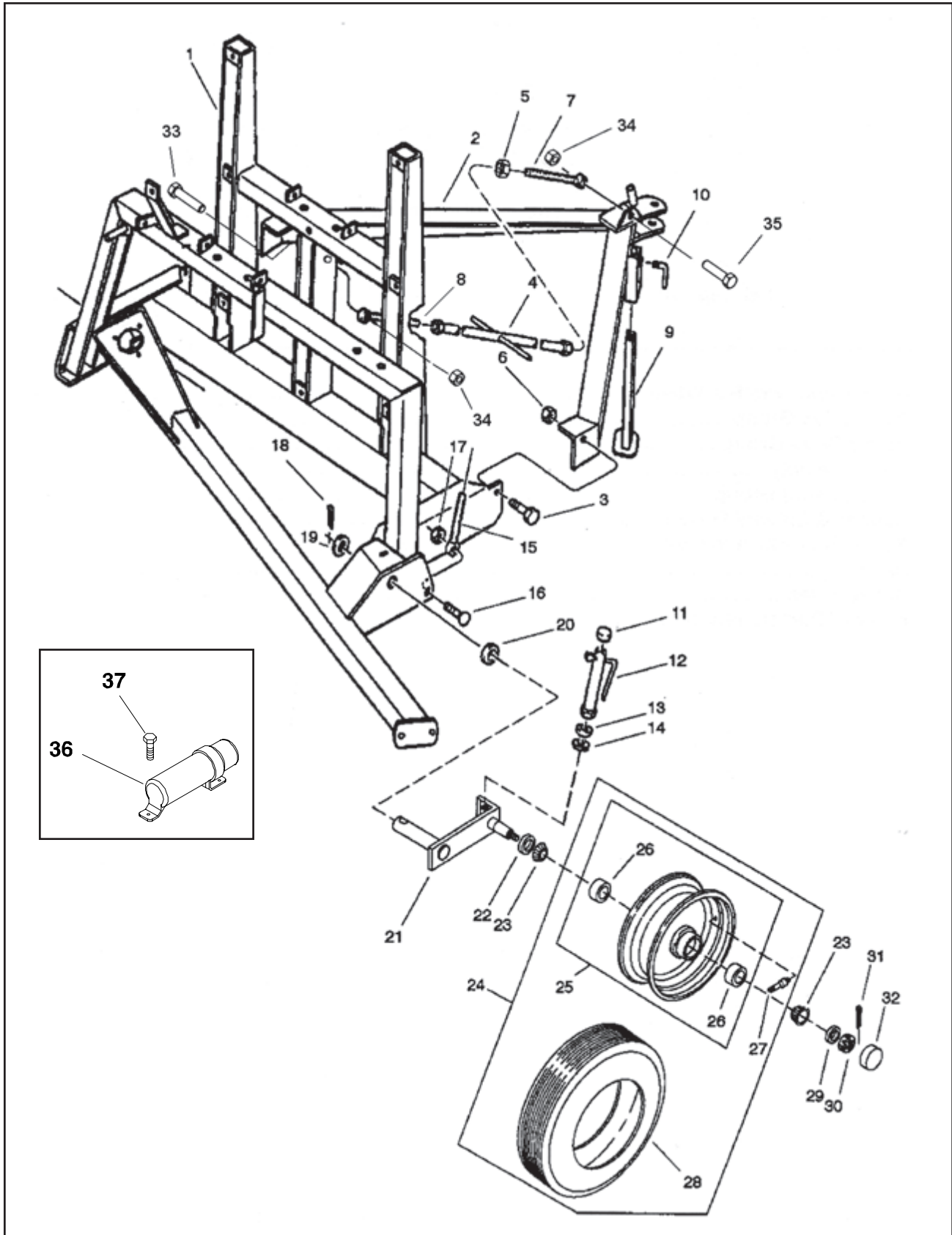
MILLER PRO

1060 & 1060 SERIES II Forage Blower

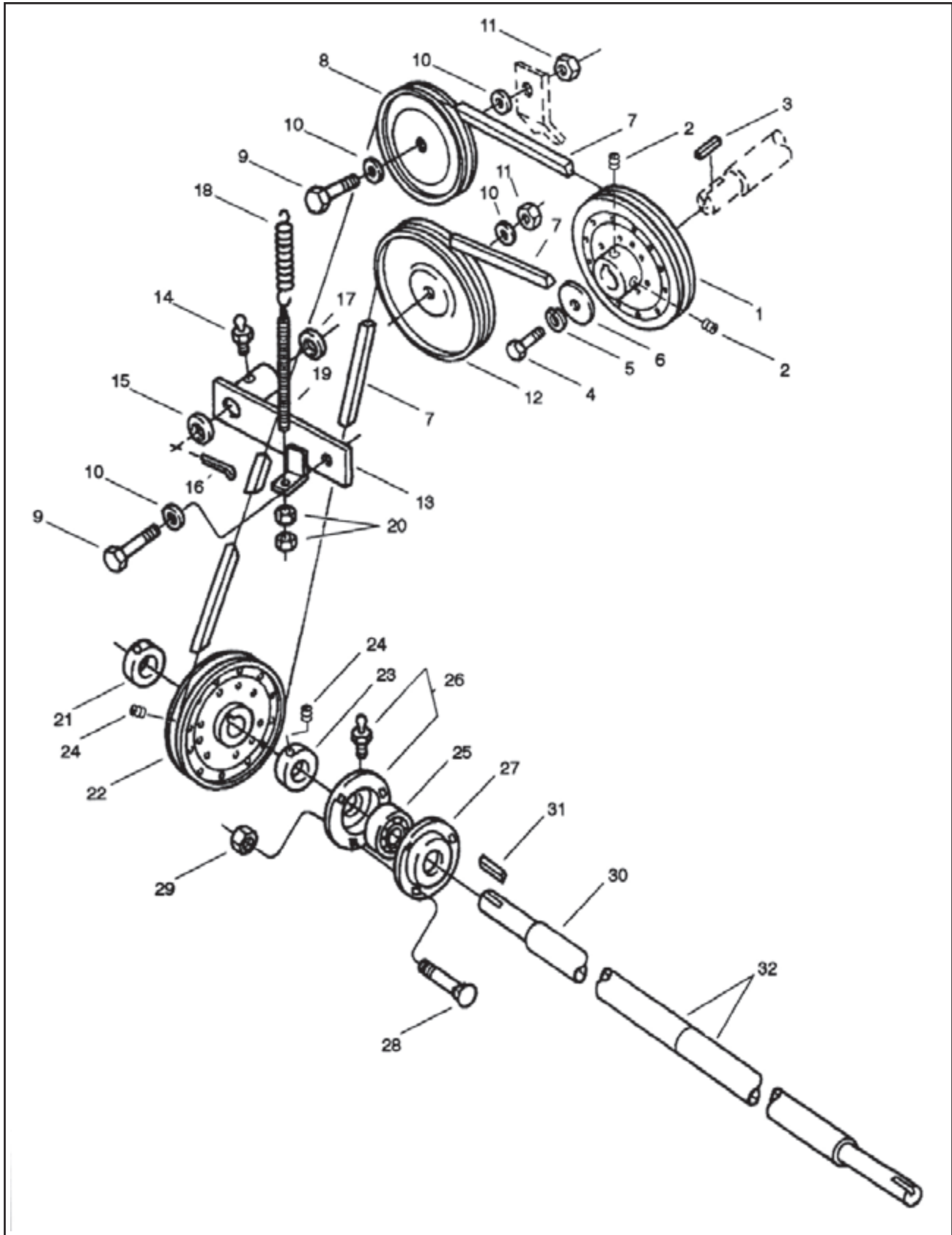
Contents

	Pages
Main Frame, Hitch & Wheels	2
Main Frame, Hitch & Wheels Parts List	3
Back Drive Group	4
Back Drive Group Parts List	5
Auger Drive Group	6, 8
Auger Drive Group Parts List	7, 9
Fan Assembly	10
Fan Assembly Parts List	11
Fan Housing Group	12
Fan Housing Group Parts List	13
Hopper & Shields Group	14, 16
Hopper & Shields Group Parts List	15, 17
Power Take - Off Assembly - 540	18
Power Take - Off Assembly - 540 Parts List	19
Decals	20
Decals Parts List	21
1000 RPM Drive Group	22
1000 RPM Drive Group Parts List	23
1000 RPM Gear Box	24
1000 RPM Gear Box Parts List	25
Power Take - Off Assembly - 1000 RPM	26
Power Take - Off Assembly - 1000 RPM Parts List	27
Accessories	28
Accessories Parts List	29
Part Number Index	30

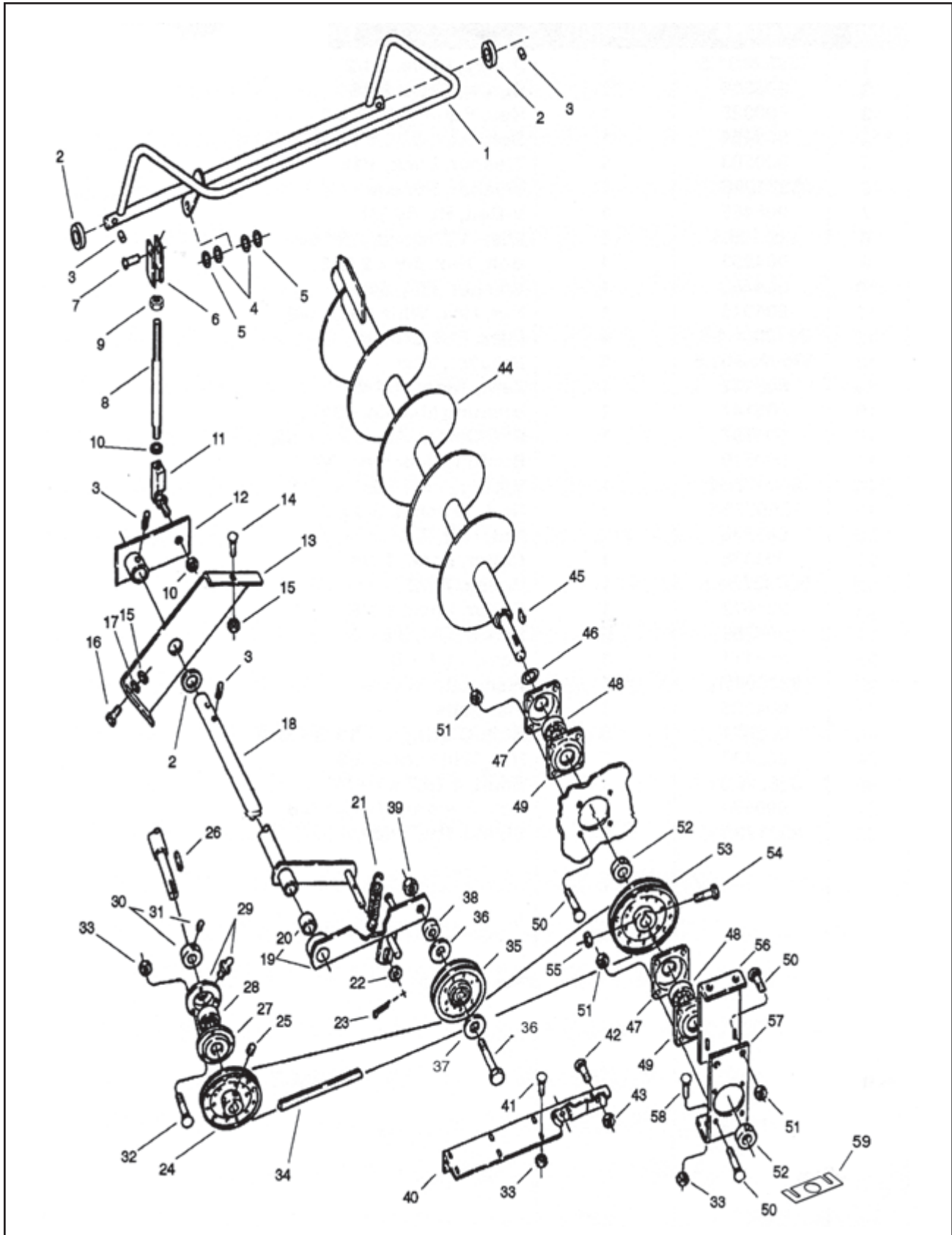
Main Frame, Hitch & Wheels



Back Drive Group



Auger Drive Group

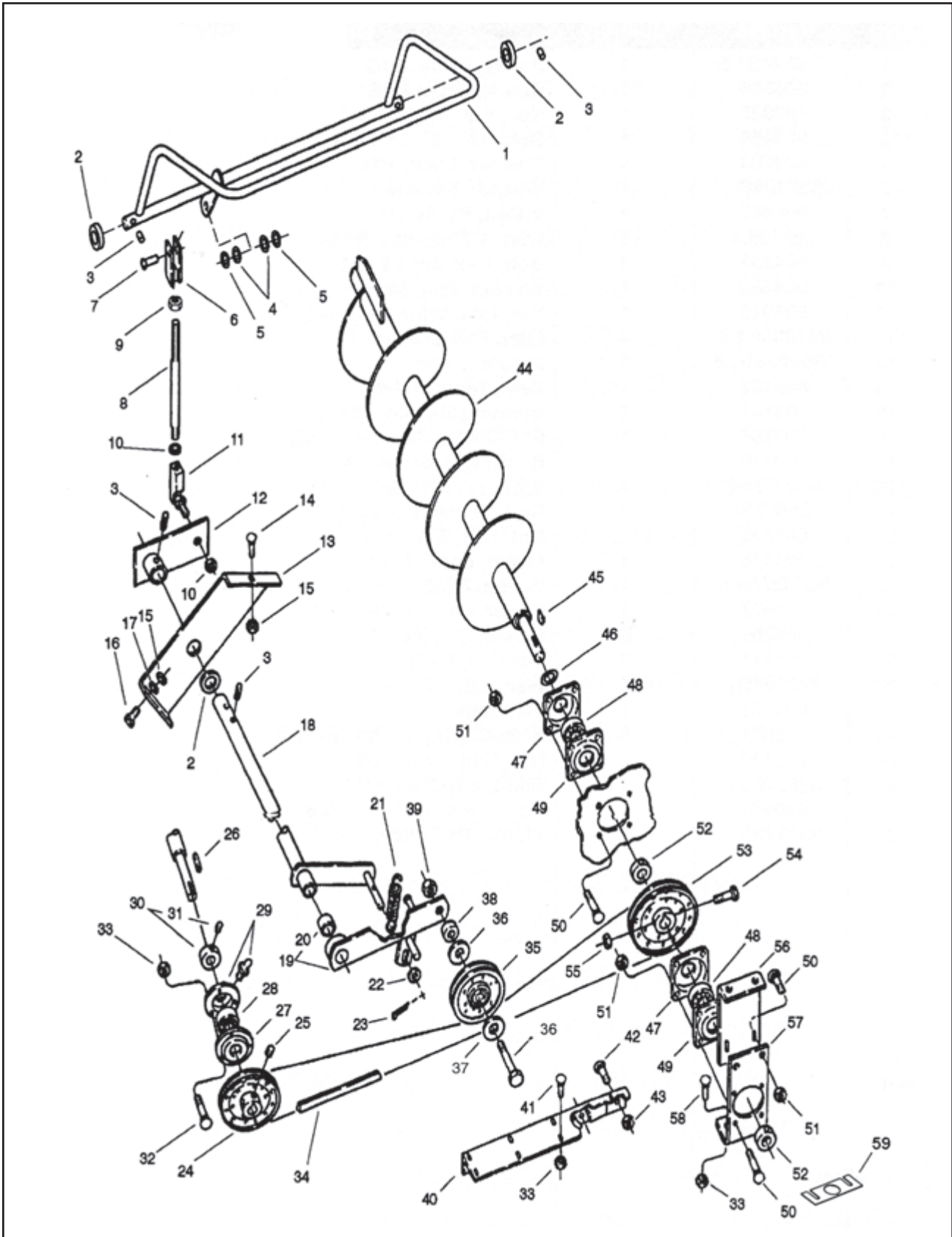


MILLER PRO

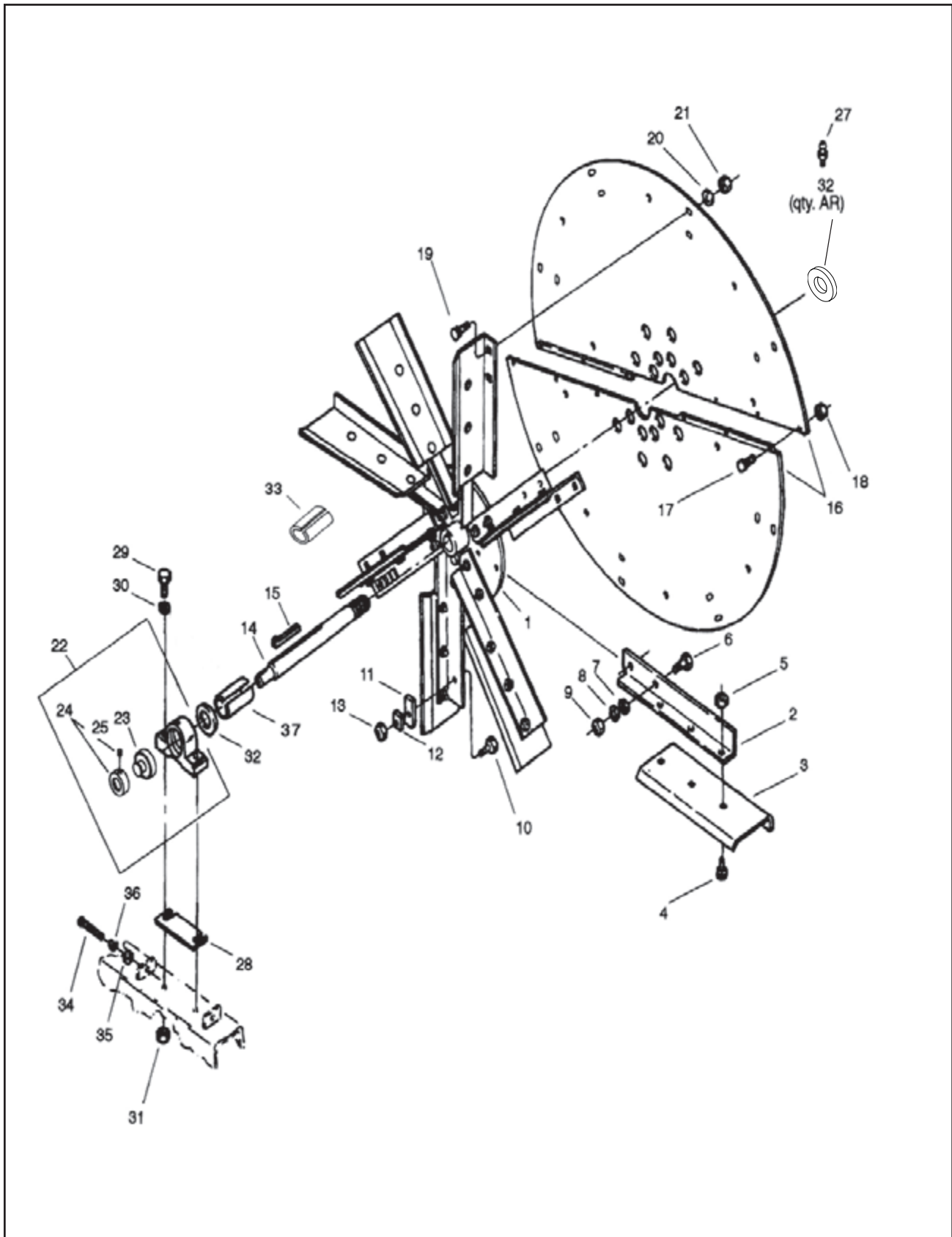
Auger Drive Group Parts List

Item	Part No.	Quantity	Description
1	337003B91.4	1	Handle
2	901267	3	Bushing, Machine, 1 1/4
3	902793	4	Pin, Spring, 3/16 x 1 3/4
4	906521	2	Bushing, Machine, 1/2 x 10 Ga
5	900509	2	Bushing, Machine, 1/2 x 14 Ga
6	336992B91.7	1	Yoke, Adjusting
7	906507	1	Pin, Clevis, 1/2 x 1 1/2
8	336995B1	1	Rod, Adjusting, 7/16 x 19
9	901260	1	Nut, Hex, Jam, 7/16-20 UNF
10	906512	2	Nut, Hex, Jam, 7/16-20 UNF
11	906487	1	Joint, Ball, 7/16
12	337006B91.5	1	Arm, Control
13	337029B1.5	1	Bracket, Clutch
14	903689	2	Bolt, Carriage, 5/16 x 3/4 GR5
15	903436	4	Nut, Hex, Whiz Lock, 5/16
16	903277	2	Bolt, Hex, 5/16 x 3/4 GR5
17	900494	2	Washer, 5/16
18	336853B91.5	1	Arm, Control
19	336848B92.7	1	Arm, Idler
20	901131	1	Bushing
21	336857B2	1	Spring, Clutch, .75 x 2.70
22	901937	1	Washer, Flat 1/2
23	902903	1	Pin, Cotter, 1/8 x 1
24	336827B1.5	1	Pulley, 7 1/2
25	906559	2	Screw, Set, 3/8 x 3/8
26	900554	1	Key, Square, 5/16 x 1 5/8
27	904205	1	Flangette
28	905117	1	Bearing, 1 1/8
29	904206	1	Flangette with Zerk
30	901672	1	Collar, Lock, 1 1/8
31	900444	1	Screw, Set, 3/8-16
32	903864	3	Bolt, Carriage, 3/8 x 3/4 GR5
33	903437	11	Nut, Hex, Whiz Lock, 3/8
34	907237	1	V-Belt, HC 63 1/2
35	906436.5	1	Idler, 6 1/4
36	903832	1	Bolt, Hex, 5/8 x 2 1/2
37	904763	2	Washer, Flat, 5/8
38	336830B1	1	Spacer, 5/8 x 1/2
39	904016	1	Nut, Hex, Whiz Lock, 5/8
40	337188B91.5	1	Pad
41	903692	8	Bolt, Carriage, 3/8 x 1 GR5
42	902191	2	Bolt, Carriage, 1/2 x 1 1/2 GR5
43	906401	2	Nut, Hex, Whiz Lock, 1/2
44	336798B91.7	1	Auger
45	906427	1	Key, Woodruff, 5/16 x 2 1/8

Auger Drive Group (Continued)



Fan Assembly

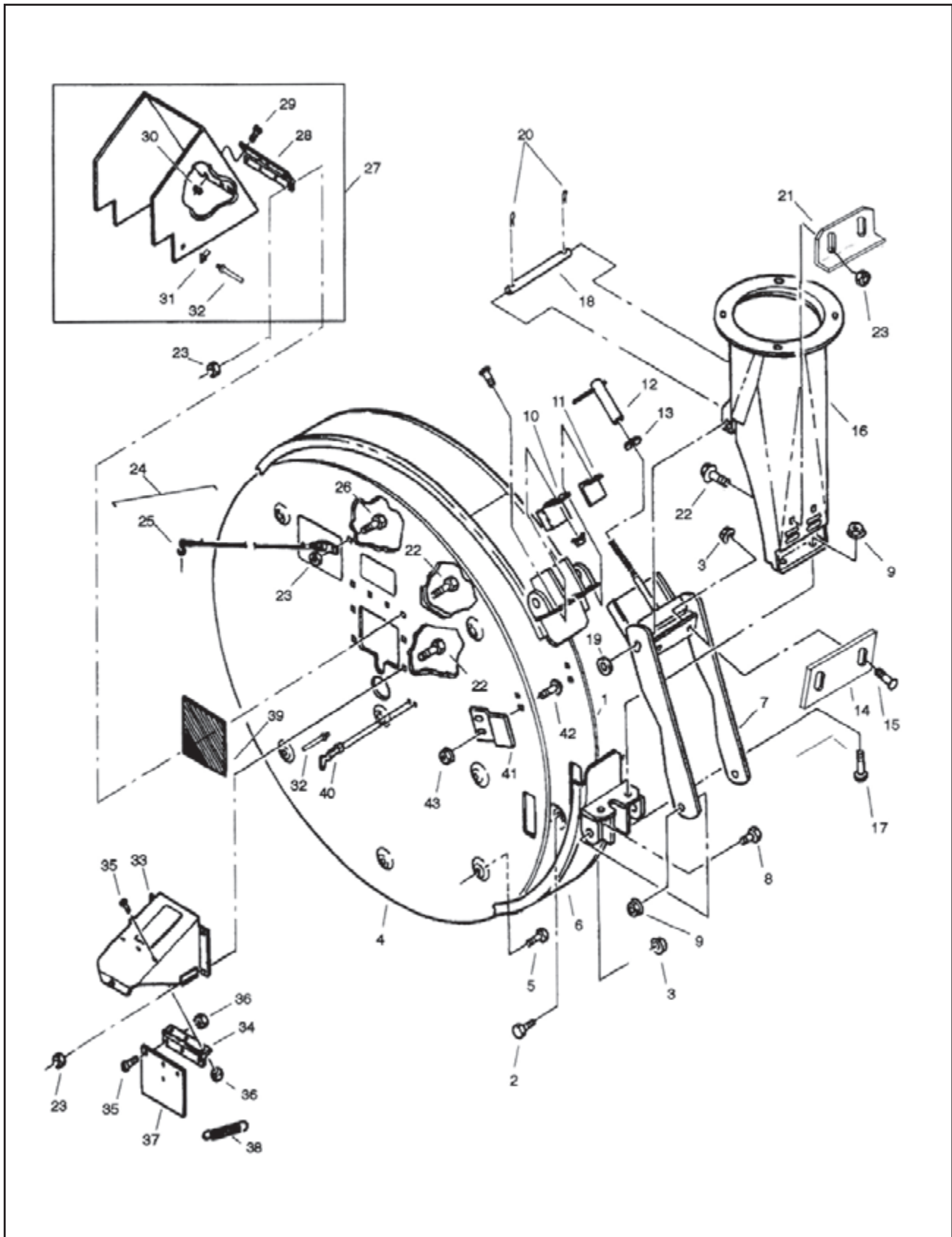


MILLER PRO

Fan Assembly Parts List

Item	Part No.	Quantity	Description
1	336674B91.7	1	Hub
2	336677B1.7	8	Arm
3	336678B1.7	8	Blade 15°
	344319B1.7	8	Blade 35° (Note A)
4	906399	24	Bolt, Carriage, 5/8 x 1 1/2 GR5
5	906402	24	Nut, Hex Lock, 5/8
6	907308	16	Bolt, Hex, 3/4 x 2 1/2 GR8
7	336718B1	4	Shim
8	336719B1	2	Shim
9	907605	16	Nut, Hex Lock, 3/4
10	906397	4	Bolt, Hex, 3/8 x 1 1/2 GR5
11	336701B1.7	2	Weight, 3 oz.
12	336700B1.7	4	Weight, 1 1/2 oz.
13	906400	4	Nut, Hex, Lock 3/8
14	336680B1	1	Shaft, Fan, 1 3/4, 27 Tooth Spline
	344194B1	1	Shaft, Fan, 1 3/4, 20 Tooth Spline (Note A)
15	906428	1	Key, Gib, 1/2 x 4 1/2
16	336679B2.7	2	Plate, Fan Backing
17	902027	6	Bolt, Carriage, 1/2 x 1 1/4 GR5
18	906483	6	Nut, Hex, Loc, 5/16
19	906721	16	Bolt, Carriage, 1/2 x 1 GR5
20	336702B1	16	Washer, Special
21	907399	16	Nut, Hex Flange Lock, 1/2
22	906407	2	Bearing, Assembly
23	906506	1	Bearing, 1-15/16
24	905203	1	Collar, 1-15/16
25		1	Screw, Set, 3/8 x 3/8-24
27	902374	2	Zerk, 1/4-28, 65°
28	336683B1	Var	Shim, 22 Ga (.029)
28	344378B1	Var	Shim, 18 Ga (.047)
29	905122	4	Bolt, Hex, 5/8 x 2 3/4 GR5
30	904814	4	Washer, Flat, Hardened, 5/8
31	906402	4	Nut, Nylock, Hex, 5/8
32	906396	6	Bushing, 2 ID
33	336681B2.5	1	Spacer, Front, 2 x 3 3/4
34	900450	4	Screw, Set, Sq, Hd, 3/8 x 2 1/2
35	900495	4	Washer, Flat, 3/8
36	900358	4	Nut, Hex, Jam, 3/8
37	341951B1.5	1	Spacer, Rear, 2 x 3 1/16
			NOTE A - Used after S/N 23.00434 and Series II

Fan Housing Group

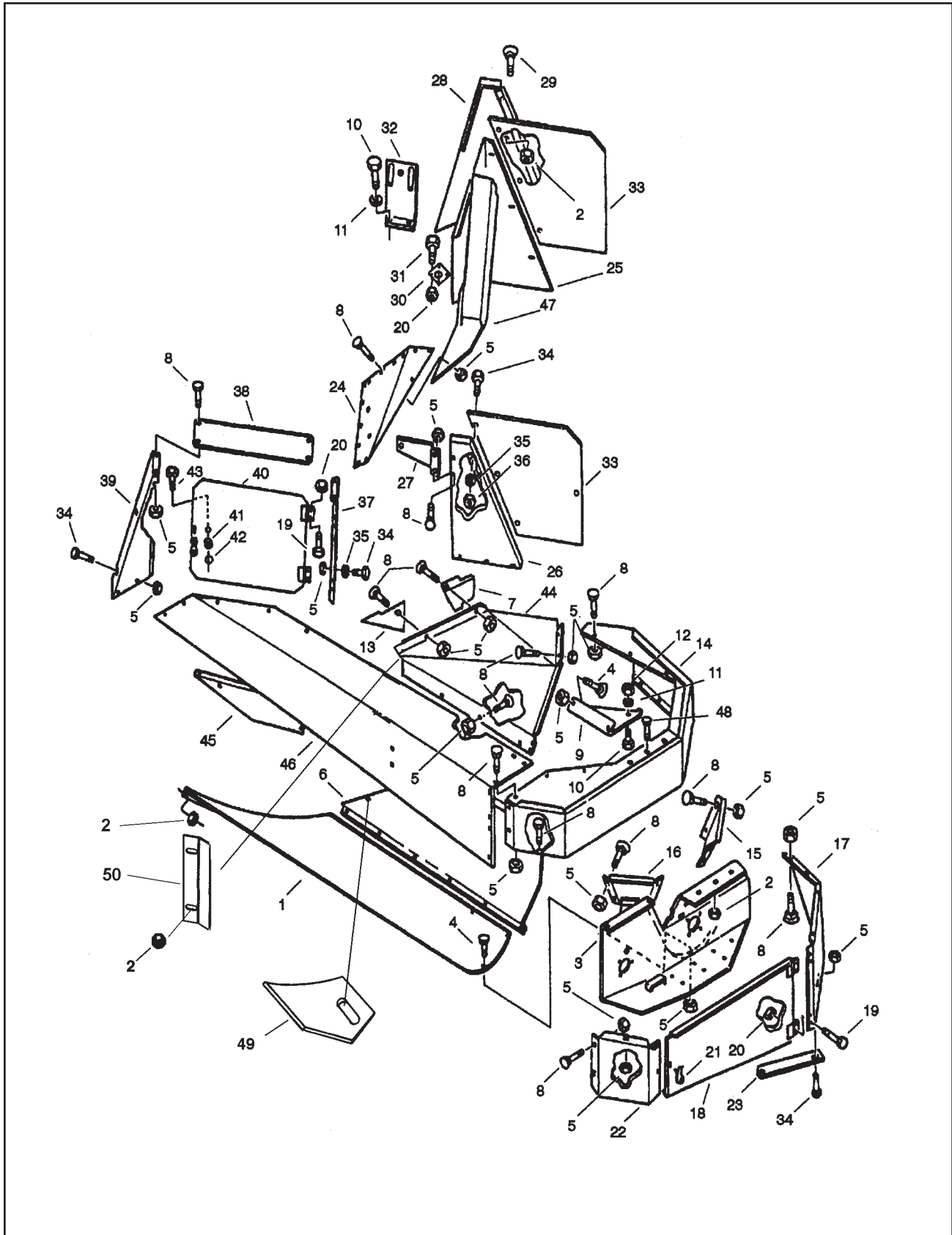


MILLER PRO

Fan Housing Group Parts List

Item	Part No.	Quantity	Description
1	336687B91.1	1	Back, Blower
	344320B91.1	1	Back, Blower (Note A)
2	902930	4	Bolt, Hex, 1/2 x 1 GR5
3	903772	6	Nut, Hex, Whiz Lock, 1/2-13
4	336955B91	1	Front, Blower
5	903952	8	Bolt, Hex, Whiz Lock, 1/2 x 1
6	336880B92.1	1	Band, Blower
7	336840B92.1	1	Base, Transition
8	902928	2	Bolt, Hex, 1/2 x 1 1/4 GR5
9	906401	4	Nut, Hex, Nylock, 1/2
10	336907B1.7	1	Support, Rear Transition
11	336908B1.7	1	Support, Front Transition
12	310738B92.7	1	Handle, Tightener
13	900497	1	Washer, Flat, 1/2
14	340025B3.5	1	Bar, Shear
15	902958	2	Bolt, Carriage, 1/2 x 1 GR5
16	336862B91.1	1	Throat
17	906398	2	Bolt, Carriage, 1/2 x 1 1/4 GR5
18	336913B1.7	1	Rod, Retainer
19	901937	2	Washer, Flat, 1/2
20	902903	2	Pin, Cotter, 1/8 x 1
21	336869B1.7	1	Bracket
22	906513	10	Bolt, Hex, Whiz Lock, 1/4 x 1/2
23	906460	11	Nut, Tinnerman, 1/4
24	337147B91	1	Pin/Lanyard Assembly
25	906271	1	Hook, 1/8 x 1 1/2
26	905011	1	Bolt, Hex, 1/4 x 1/2 GR5
27	336760B91.7	1	Shield Assembly, PTO
28	336762B1.7	1	Hinge
29	900465	4	Screw, Rd, Hd 1/4 x 5/8
30	903376	4	Nut, Hex, Whiz Lock, 1/4
31	906423	2	Latch
32	901862	6	Rivet, Pop, 1/8"
33	336750B91.7	1	Cover
34	336756B1.7	1	Hinge
35	903767	6	Screw, Truss, Whiz Lock, 1/4 x 1/2
36	903376	6	Nut, Hex, Whiz Lock, 1/4
37	336753B91.7	1	Flap, Air Inlet
38	906014	1	Spring
39	336757B1.7	1	Screen (Used Prior to 1996)
40	906422	2	Latch
41	336845B1.7	2	Clip
42	903689	4	Bolt, Carriage, 5/16 x 3/4 GR5
43	903436	4	Nut, Hex, Whiz Lock, 5/16
			NOTE A - Used after S/N 23.00435 and Series II

Hopper & Shields Group

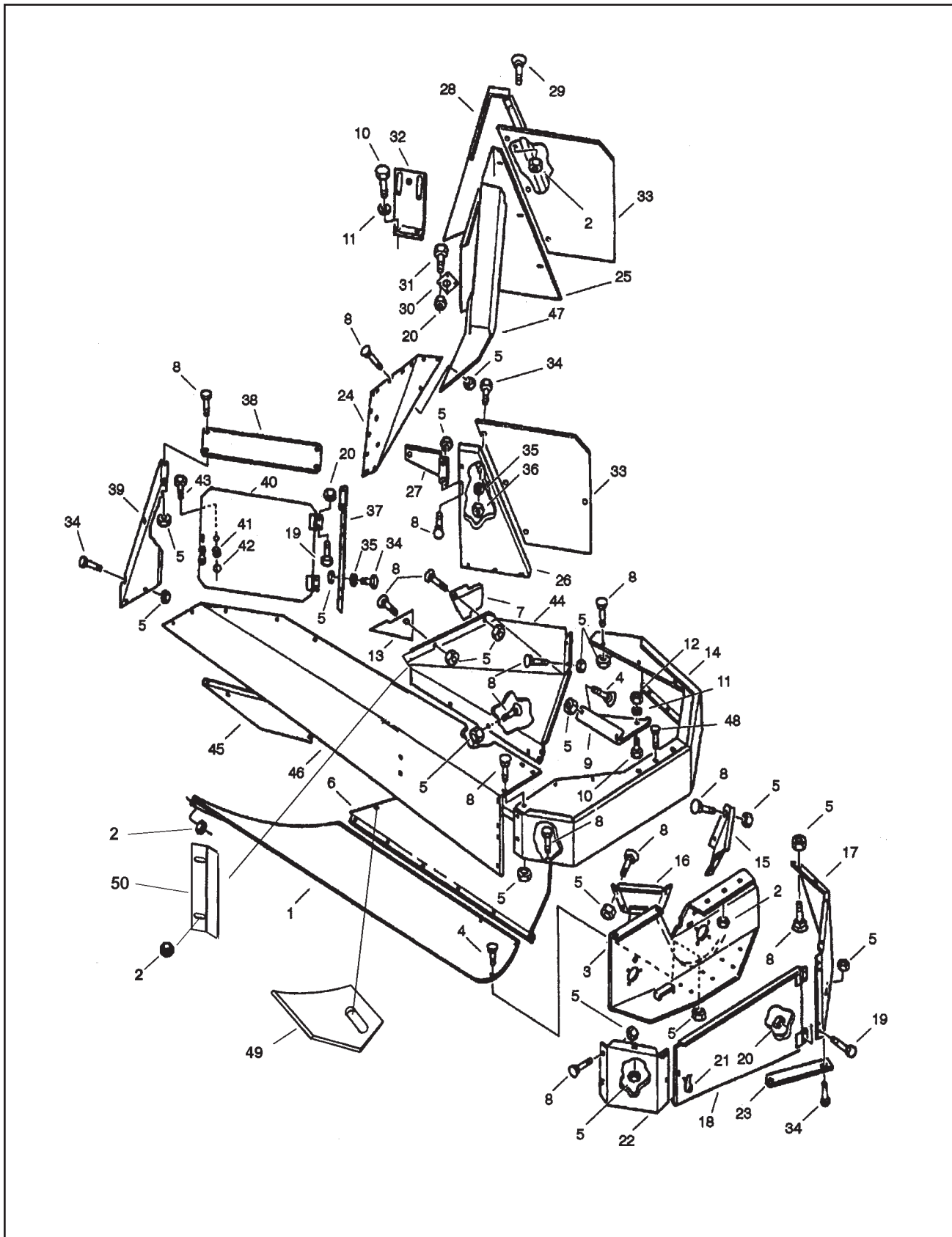


MILLER PRO

Hopper & Shields Group Parts List

Item	Part No.	Quantity	Description
1	337030B91.7	1	Trough, Bottom
2	903437	AR*	Nut, Hex, Whiz Lock, 3/8
3	336818B91.7	1	Panel
4	903684	2	Bolt, Carriage, 3/8 x 3/4 GR5
5	903437	AR*	Nut, Hex, Whiz Lock, 3/8
6	336872B1.7	1	Hopper, Side, Right
7	337008B1.7	1	Plate, Filler
8	906561	AR*	Bolt, Carriage, 5/16 x 1/2 GR5
9	336990B1.5	1	Brace
10	902928	1	Bolt, Hex, 1/2 x 1 1/4 GR5
11	900497	1	Washer, Flat, 1/2
12	903772	3	Nut, Hex, Whiz Lock, 1/2
13	337017B1.7	1	Plate, Lower Filler
14	336890B91.1	1	Sheet, Hopper Wrap
15	337064B91.7	1	Plate, RH Filler
16	337065B91.7	1	Plate, LH Filler
17	336943B1.1	1	Skirting, Right
18	337014B91.1	1	Door, w/Decals
19	905011	8	Bolt, Hex, 1/4 x 1/2 GR5
20	903376	8	Nut, Hex, Whiz Lock, 1/4
21	906492	2	Latch, Door
22	336944B1.1	1	Skirting, Left
23	336954B1.7	1	Brace
24	336871B1.7	1	Hopper Side, LH Inner (Used Prior to 1996)
	341134B1.7	1	Hopper Side, LH Inner (Used After 1996)
25	336978B1.1	1	Support, RH Inner Top
26	337068B91.1	1	Support, LH Top w/Decals
27	336997B1.5	1	Bracket, Outer
28	337069B91.1	1	Support, RH Top w/Decals
29	902364	2	Bolt, Hex, 3/8 x 3/4 GR5
30	336979B1.7	1	Plate, Water Inlet
31	904863	4	Bolt, Hex, 1/4 x 3/4 GR5
32	337002B92.5	1	Bracket, Inner
33	336996B1	2	Shield, Wind
34	903277	6	Bolt, Hex, 5/16 x 3/4 GR5
35	900494	6	Washer, Flat, 5/16
36	905139	6	Nut, Tinnerman, 5/16
37	336918B1.1	1	Side, RH Drive Cover
	344317B1.1	1	Side, RH Drive Cover (Note A)
38	336917B1.1	1	Panel, Drive Cover Top
39	344184B91.1	1	Side, LH Drive Cover
40	336965B91.1	1	Door, Drive, w/Decals
41	335838B1	1	Spacer
42	906367	1	Knob
43	903952	1	Bolt, Whiz Lock, 1/2 x 1

Hopper & Shields Group (continued)

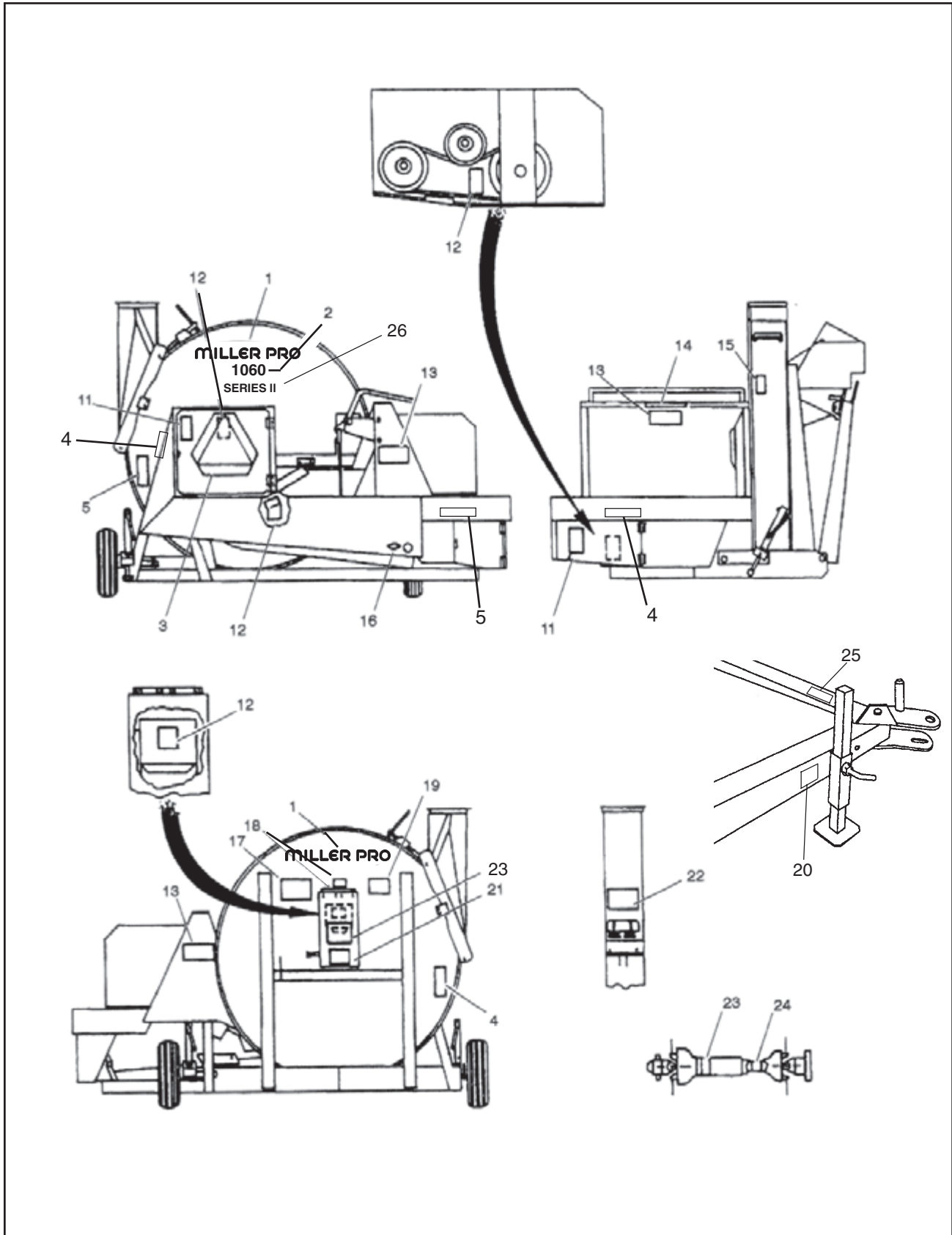


MILLER PRO

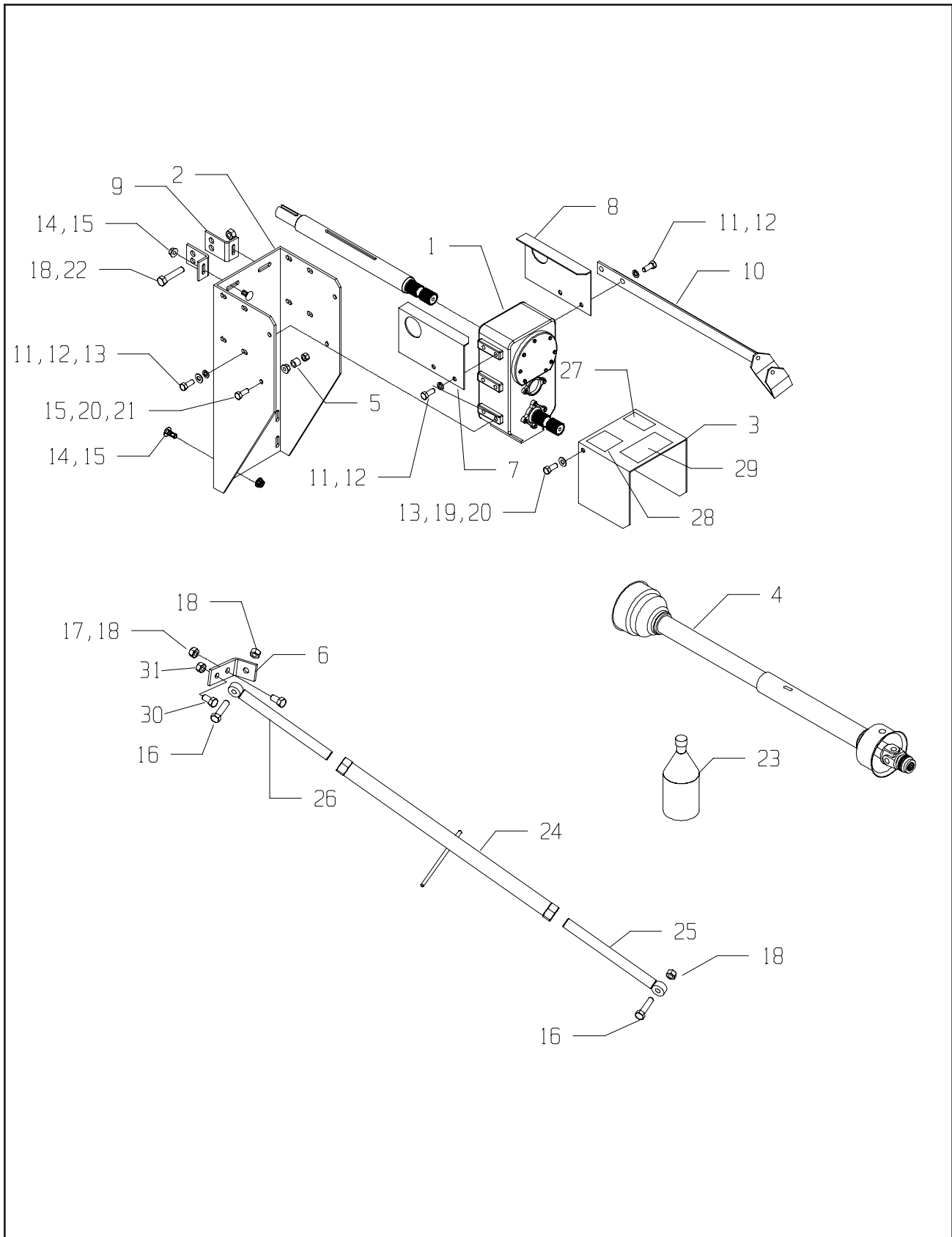
Power Take - Off Assembly - 540 Parts List

Item	Part No.	Quantity	Description
	340203B91	1	Power Take-Off Assembly, 1-3/16 Sq. 27 Tooth Spline
	344081B91	1	Power Take-Off Assembly, 1-5/16 Sq. 27 Tooth Spline (Note A)
	344190B91	1	Power Take-Off Assembly, 1-5/16 Sq. 20 Tooth Spline (Note B)
1	340223B91	1	Tractor Half, 1-3/16 Sq.
	344082B91	1	Tractor Half, 1-5/16 Sq. (Note A)
2	904544	1	Yoke, Assembly, 1 3/8 6 Tooth Spline
3		1	Yoke (Order 904544)
4	331682B91	1	Repair Kit
10	903404	1	Cross & Bearing (See Item 29)
11	340227B91	1	Yoke & Shaft, 1-3/16 Sq.
	344084B91	1	Yoke & Shaft, 1-5/16 Sq. (Note A)
12	906553	1	Drive-Loc Pin
13	906554	1	Snap Ring, 1-3/16 Sq.
	344089B1	1	Snap Ring, 1-5/16 Sq. (Note A)
14	906498	1	Nylon Repair Kit, 1-3/16 Sq
	907213	1	Nylon Repair Kit, 1-5/16 Sq. (Note A)
15	340226B91	1	Outer Guard Assembly, 1-3/16 Sq.
	344161B91	1	Outer Guard Assembly, 1-5/16 Sq. (Note A)
16	329594B2	1	Decal, Danger
17	340224B91	1	Implement Half, 1-3/16 Sq
	344083B91	1	Implement Half, 1-5/16 Sq. (Note A)
	344191B91	1	Implement Half, 1-5/16 Sq. (Note B)
18	340225B91	1	Inner Guard Assembly, 1-3/16 Sq
	344160B91	1	Inner Guard Assembly, 1-5/16 Sq. (Note A)
19	906498	1	Nylon Repair Kit, 1-3/16 Sq.
	907213	1	Nylon Repair Kit, 1-5/16 Sq. (Note A)
20	340229B91	1	Tube & Sleeve, Yoke, 1-3/16 Sq.
	344085B91	1	Tube & Sleeve, Yoke, 1-5/16 Sq. (Note A)
21	331639B2	1	Decal, Danger
22	903404	1	Cross & Bearing (See Item 29)
23	340230B91	1	Ball Shear Assembly, 1-3/4 27 Spline
	344192B91	1	Ball Shear Assembly, 1-3/4 20 Spline (Note B)
24	904636	2	Bolt, Hex, 5/16-18 x 2 1/4 GR5
25	900948	2	Nut, Hex Lock, 5/16-18, G5, 2 Way
26	906547	1	Kit, Repair, Ball Shear
27	903660	2	Bolt, Hex, 3-1/4, GR5
28	903939	2	Nut, Lock, 5/8
29	903404	2	Cross & Bearing Kit (55NW)
32	901445	1	Zerk
			NOTE A - Used after S/N 23.00355
			NOTE B - Used after S/N 23.00435

Decals



1000 RPM Drive Group

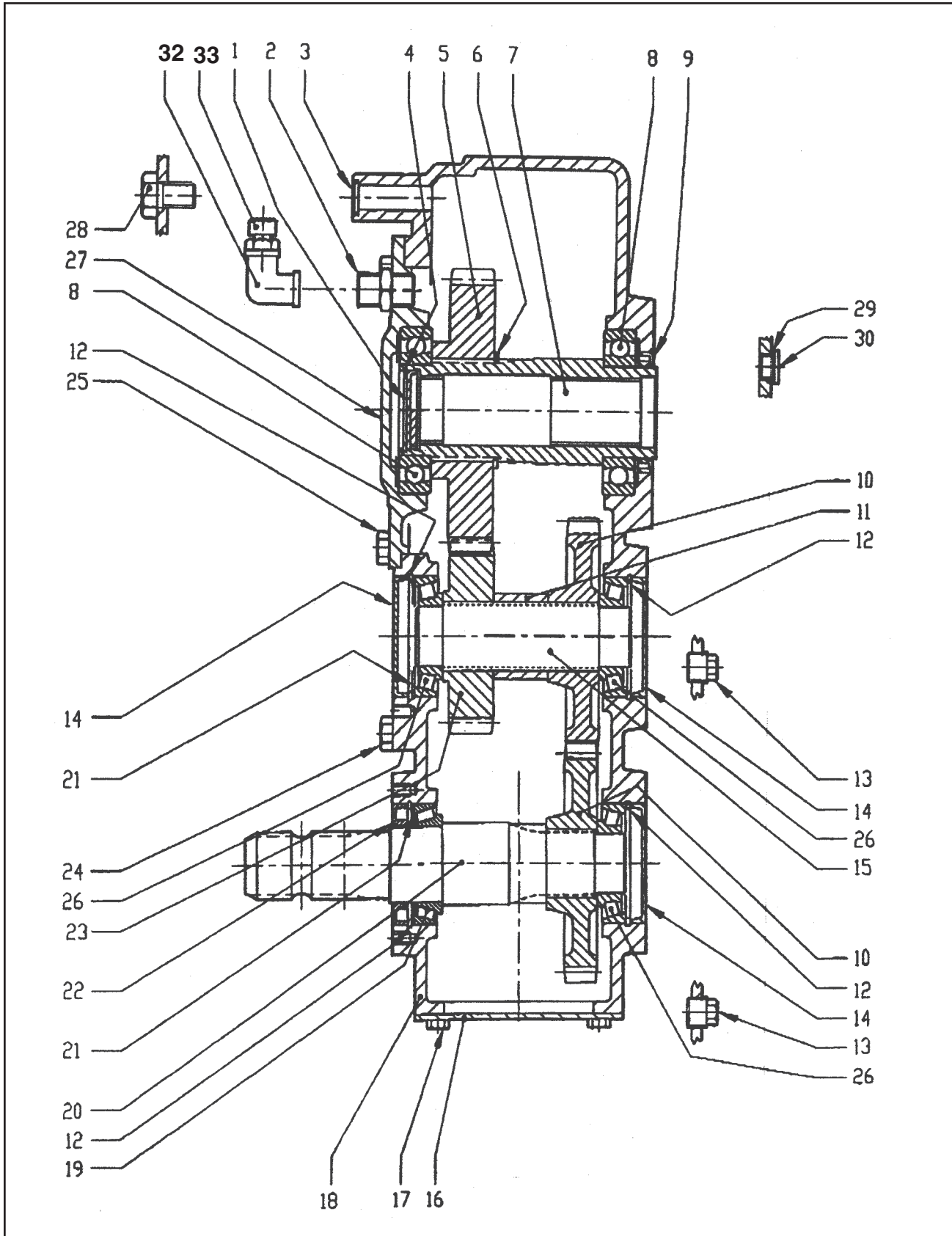


MILLER PRO

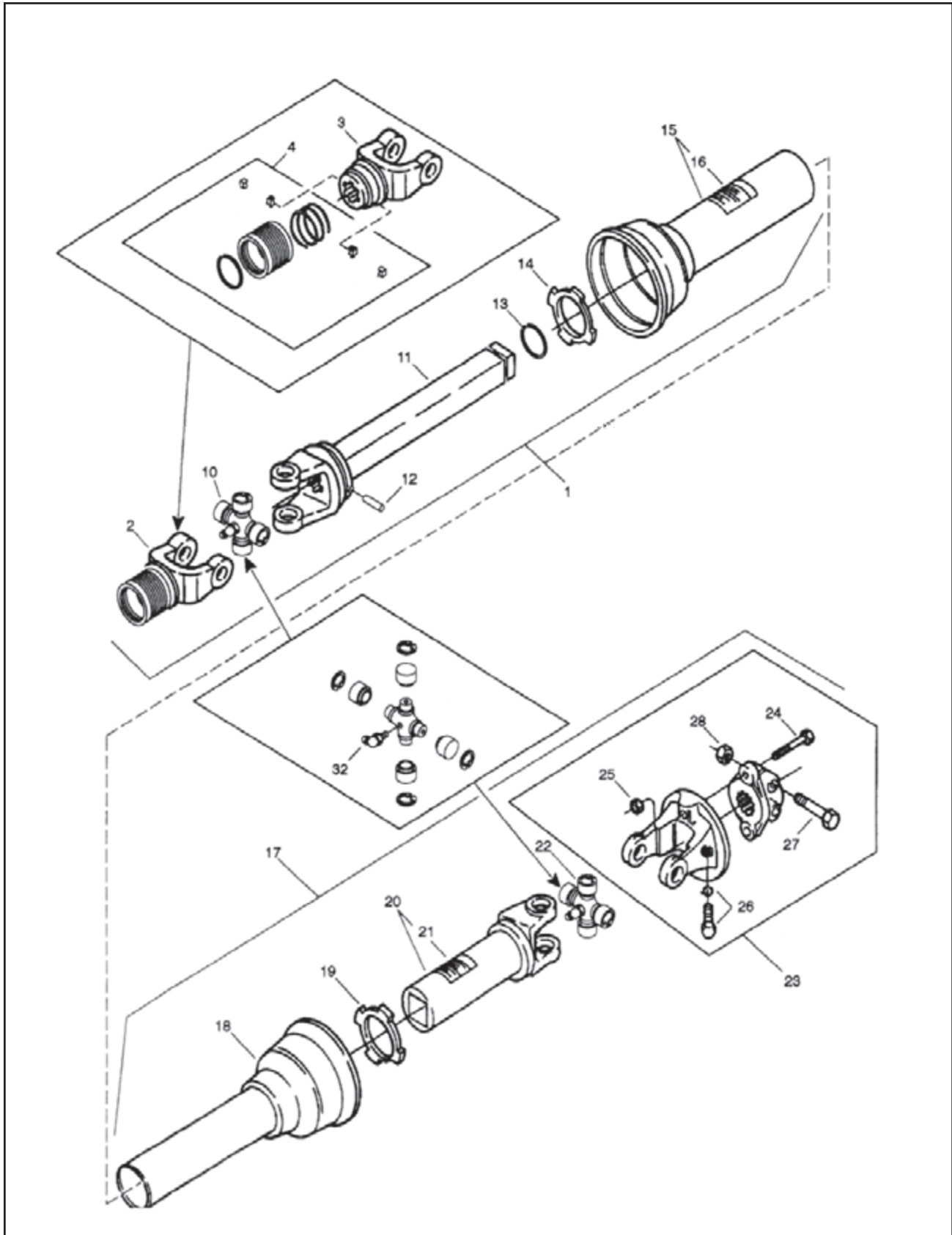
1000 RPM Drive Group Parts List

Item	Part No.	Quantity	Description
1	344189B91.7	1	Gearbox Assembly (See Page 24)
2	344240B1.7	1	Gearbox Bracket
3	344242B91.7	1	PTO Shield
4	344193B91	1	PTO Assembly (See Page 26)
5	335942B1.7	2	Spacer
6	344239B1.7	1	Level Adjust Bracket
7	344292B1.7	1	Shield, RT Hand
8	344291B1.7	1	Shield, LT Hand
9	344236B1.7	2	Bracket
10	344296B91.7	1	PTO Stand
11	907313	12	HHD Bolt, M14-P2 x 30mm
12	09.73000	12	Washer, Lock M14
13	900497	10	Washer, Flat 1/2"
14	903694	6	Carriage Bolt, G5 1/2 x 1
15	903772	8	Nut, Hex Whiz, 1-2-13
16	903832	2	HHD Bolt G5 5/8 x 2 1/2
17	903700	1	HHD Bolt G5 5/8 x 1 1/4
18	903939	4	Nut, Hex Lock,5/8-11
19	902930	2	HHD Bolt G5 1/2 x 1
20	902194	5	Nut, Hex Lock, 1/2-13
21	903306	2	HHD Bolt G5 1/2 x 1 1/2
22	904215	1	HHD Bolt G5 5/8 x 5
23	335495B91	6 qt.	Synthetic Gear Lube (1) qt.
24	336715B91.5	1	Level Adjustment
25	336721B91	1	Rod, RH Adjusting
26	336720B91	1	Rod, LH Adjusting
27	329594B2	1	Decal, Warning PTO
28	344243B1	1	Decal, Tractor, 1000 RPM
29	340250B1	1	Decal, Caution 1000
30	902367	1	Bolt, Hex, 3/8-16 x 1-1/4" Gr 5
31	906400	1	Nut, Hex Lock, 3/8-16 Nylock

1000 RPM Gear Box



Power Take - Off Assembly - 1000 RPM

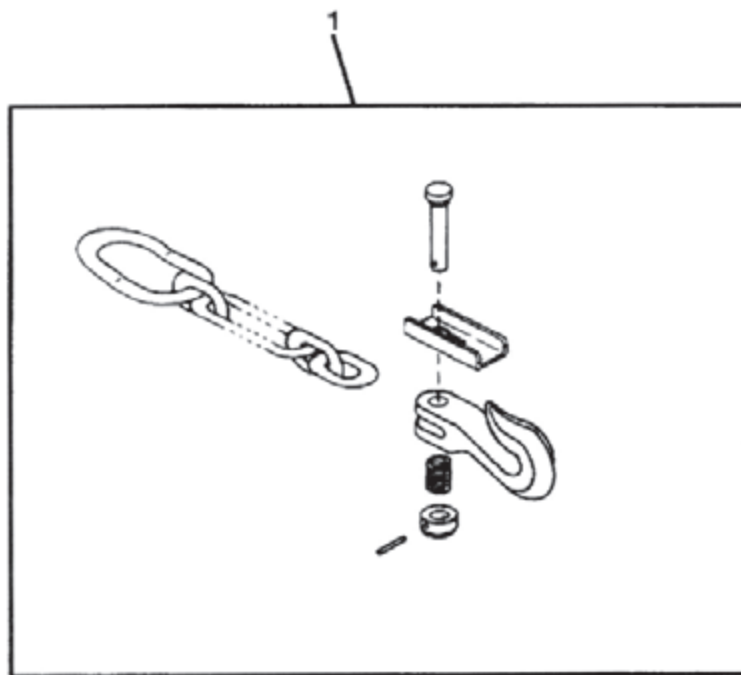


MILLER PRO

Power Take - Off Assembly - 1000 RPM Parts List

Item	Part No.	Quantity	Description
	344193B91	1	Power Take-Off Assembly, 1-5/16 Sq.
1	344246B91	1	Tractor Half, 1-5/16 Sq.
2	904618	1	Yoke, Assembly, 1 3/8 21 Tooth Spline
2	337107B91		Yoke, Assembly, 1 3/4 20 Tooth Spline
3	NSS	1	Yoke (Order 904618)
3	NSS	1	Yoke (Order 337107B91)
4	331682B91	1	Repair Kit - For 904618
	337108B91	1	Repair Kit - For 337107B91
10	903404	1	Cross & Bearing (See Item 29)
11	344084B91	1	Yoke & Shaft, 1-5/16 Sq.
12	906553	1	Drive-Loc Pin
13	344089B1	1	Snap Ring, 1-5/16 Sq.
14	907213	1	Nylon Repair Kit, 1-5/16 Sq.
15	344161B91	1	Outer Guard Assembly, 1-5/16 Sq.
16	329594B2	1	Decal, Danger
17	344247B91	1	Implement Half, 1-5/16 Sq
18	344160B91	1	Inner Guard Assembly, 1-5/16 Sq.
19	907213	1	Nylon Repair Kit, 1-5/16 Sq.
20	344085B91	1	Tube & Sleeve, Yoke, 1-5/16 Sq
21	331639B2	1	Decal, Danger
22	903404	1	Cross & Bearing (See Item 29)
23	344248B91	1	Ball Shear Assembly, 1-3/4 20 Spline
24	907336	2	Bolt, Hex, 1/4-20 x 2 GR8
25	901651	2	Nut, Lock, 1/4-20
26	906547	1	Kit, Repair, Ball Shear
27	903660	2	Bolt, Hex, 5/8 x 3-1/4, GR5
28	903939	2	Nut, Lock, 5/8
29	903404	2	Cross & Bearing Kit (55NW)
32	901445	1	Zerk

Accessories



Part Number Index

Part No.	Page	Part No.	Page	Part No.	Page
09.71112	3	336818B91.7	15	337008B1.7	15
09.73000	23	336826B1	5	337014B91.1	15
16.20178	21	336827B1.5	5, 7	337017B1.7	15
16.20205	21	336828B1.5	5	337029B1.5	7
17.01155	21	336829B1.5	9	337030B91.7	15
23.00001	21	336830B1	7	337064B91.7	15
23.00006	3	336840B92.1	13	337065B91.7	15
23.00007	3	336845B1.7	13	337068B91.1	15
310088B1	9	336848B92.7	7	337069B91.1	15
310738B92.7	13	336853B91.5	7	337107B91	27
315182B1	3	336857B2	7	337108B91	27
321338B1.5	5	336862B91.1	13	337143B2	21
324894B1	5	336869B1.7	13	337145B1	21
329594B2	19, 21, 23, 27	336871B1.7	15	337147B91	13
329946B91	29	336872B1.7	15	337150B91.5	3
331096B2	21	336880B92.1	13	337173B1	5
331101B2	21	336885B1	21	337188B91.5	7
331639B2	19, 21, 27	336890B91.1	15	337397B1.5	3
331682B91	19	336891B91.5	3	337486B1	5
331682B91	27	336897B91	3	340025B3.5	13
331865B1	21	336899B91.7	3	340077B1	5
335495B91	23	336907B1.7	13	340203B91	19
335838B1	15	336908B1.7	13	340223B91	19
335942B1.7	23	336913B1.7	13	340224B91	19
336674B91.7	11	336916B1.1	17	340225B91	19
336677B1.7	11	336917B1.1	15	340226B91	19
336678B1.7	11	336918B1.1	15	340227B91	19
336679B2.7	11	336920B1.1	17	340229B91	19
336680B1	11	336925B92.7	5	340230B91	19
336681B2.5	11	336933B1.5	9	340248B1	21
336683B1	11	336934B1.5	9	340250B1	23
336687B91.1	13	336943B1.1	15	341133B91.1	17
336700B1.7	11	336944B1.1	15	341134B1.7	15
336701B1.7	11	336954B1.7	15	341136B91.1	17
336702B1	11	336955B91	13	341144B1.7	17
336708B91.7	3	336957B1	21	341951B1.5	11
336715B91.5	3, 23	336961B1.7	17	344081B91	19
336718B1	11	336965B91.1	15	344082B91	19
336719B1	11	336977B1	5	344083B91	19
336720B91	3, 23	336978B1.1	15	344084B91	19, 27
336721B91	3, 23	336979B1.7	15	344085B91	19, 27
336729B91.7	3	336990B1.5	15	344089B1	19, 27
336750B91.7	13	336992B91.7	7	344160B91	19, 27
336753B91.7	13	336995B1	7	344161B91	19, 27
336756B1.7	13	336996B1	15	344184B91.1	15
336757B1.7	13	336997B1.5	15	344189B91.7	23
336760B91.7	13	337002B92.5	15	344190B91	19
336762B1.7	13	337003B91.4	7	344191B91	19
336798B91.7	7	337006B91.5	7	344192B91	19

Part Number Index (continued)

Part No.	Page	Part No.	Page	Part No.	Page
344193B91	23, 27	344378B1	11	902928	3, 13, 15
344194B1	11	344428B1	21	902930	13, 23
344236B1.7	23	606411B1	21	902958	13
344239B1.7	23	900358	11	903162	5
344240B1.7	23	900366	5	903277	7, 15
344242B91.7	23	900444	7	903306	23
344243B1	23	900450	11	903376	13, 15
344246B91	27	900465	13	903404	19, 27
344247B91	27	900494	7, 15	903436	7, 13
344248B91	27	900495	11	903437	5, 7, 15
344255B1	25	900497	13, 15, 23	903544	9
344256B1	25	900503	5	903547	9
344257B1	25	900509	7	903660	19, 27
344258B1	25	900510	3, 5	903684	5, 15
344259B1	25	900514	9	903689	7, 13
344260B1	25	900530	3	903692	7, 17
344261B1	25	900554	5, 7	903693	9
344262B1	25	900928	5	903694	23
344263B1	25	900948	19	903695	9
344264B1	25	900949	3	903700	23
344265B1	25	901131	7	903767	13
344266B1	25	901260	7	903772	9, 13, 15, 23
344267B1	25	901267	7	903832	3, 7, 23
344268B1	25	901319	3	903864	7
344269B1	25	901445	19	903939	19, 23, 27
344270B1	25	901445	27	903952	13, 15
344271B1	25	901651	27	904016	5, 7
344272B1	25	901658	3	904205	5, 7
344273B1	25	901672	5	904206	7
344274B1	25	901672	7	904215	23
344275B1	25	901862	13	904217	3
344276B1	25	901874	3	904253	5
344277B1	25	901937	7, 13	904464	5
344278B1	25	902027	11	904482	9
344279B1	25	902191	7	904544	19
344280B1	25	902194	23	904618	27
344281B91	25	902267	9	904636	19
344282B1	25	902291	9	904763	5, 7
344283B1	25	902364	15	904787	5
344284B1	25	902367	23	904814	11
344291B1.7	23	902374	11	904840	25
344292B1.7	23	902429	3	904863	15
344296B91.7	23	902568	3	905011	13, 15
344300B91.1	17	902569	3	905117	5, 7
344311B1.7	17	902570	3	905122	11
344317B1.1	15	902578	3	905139	15
344319B1.7	11	902793	7	905147	5
344320B91.1	13	902831	9	905203	11
344321B1	21	902903	7, 13	906014	13

MILLER PRO

Part Number Index (continued)

Part No.	Page	Part No.	Page	Part No.	Page
906271	13	907414	5		
906335	5	907605	11		
906367	15	907739	3		
906396	11				
906397	11				
906398	13				
906399	11				
906400	11, 23				
906401	3, 7, 13				
906402	3, 11				
906407	11				
906409	3				
906422	13				
906423	13				
906427	7				
906428	11				
906435.5	5				
906436.5	7				
906460	13				
906461	3				
906462	3				
906483	11				
906487	7				
906492	15				
906506	11				
906507	7				
906512	7				
906513	13				
906518	3				
906521	7				
906547	19, 27				
906548	3				
906553	19, 27				
906554	19				
906559	5, 7				
906561	15				
906721	11				
907213	19, 27				
907219	21				
907220	21				
907225	21				
907237	7				
907238	5				
907308	11				
907313	23				
907317	25				
907318	25				
907336	27				
907399	11				



© 2005 by Miller-St. Nazianz, Inc.