

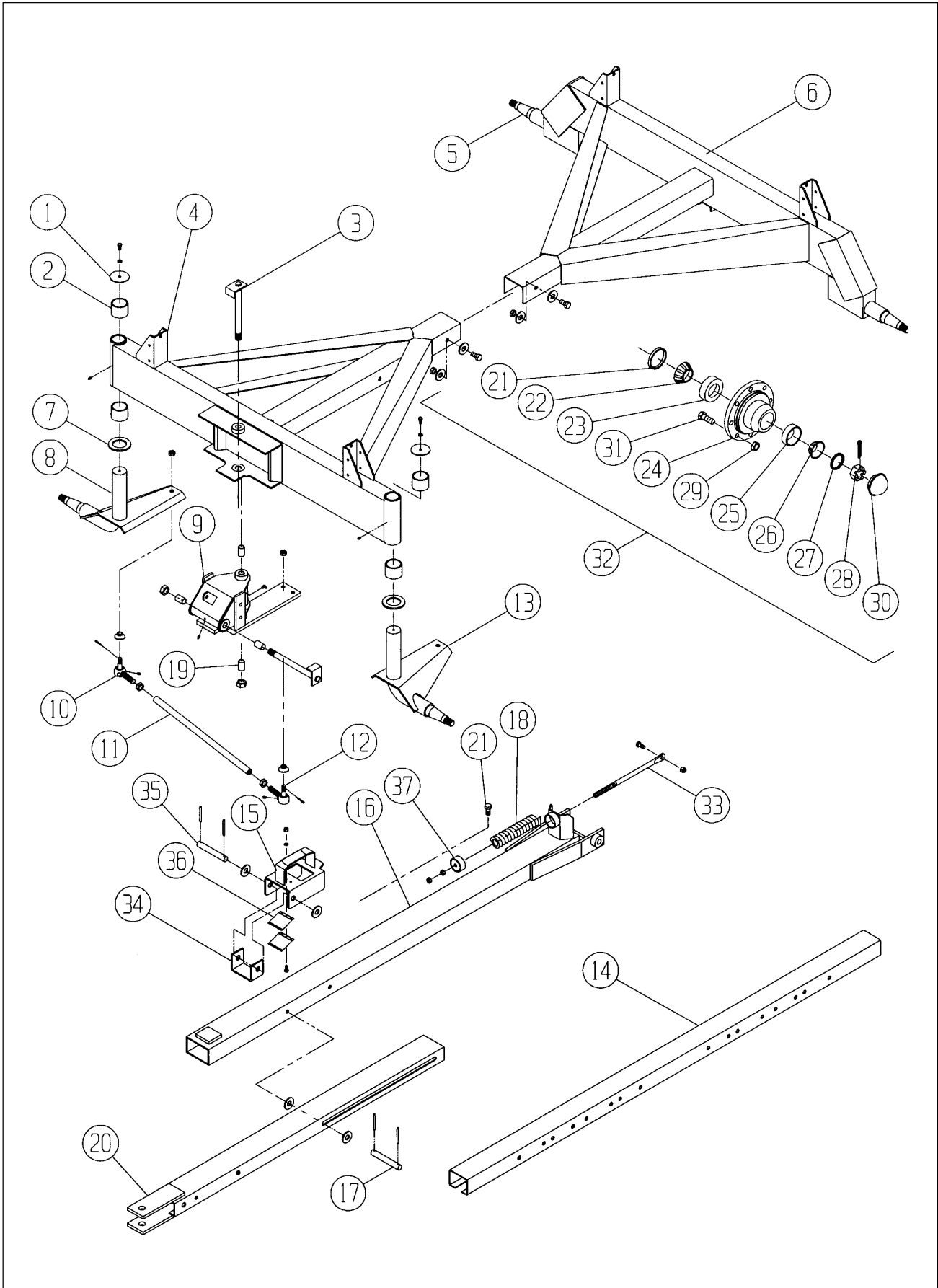


RUNNING GEAR
344355B91

Table of Contents

Description	Parts List Page #'s	Illustration Page #'s
10 & 12 Ton 4-Wheel	3,5	2,4
12 & 14 Ton Tandem	7,9	6,8
Brake Pole (14,15 & 18 Ton)	11	10
Brakes	13,15	12,14
15 Ton 4-Wheel	17,19	16,18
18 Ton Tandem	21,23	20,22
Safety Chain	25	24
38" Bolster	25	24
Steering Stop (12 Ton Wheel)	25	24
Index	26,27	

10 & 12 TON 4 -WHEEL



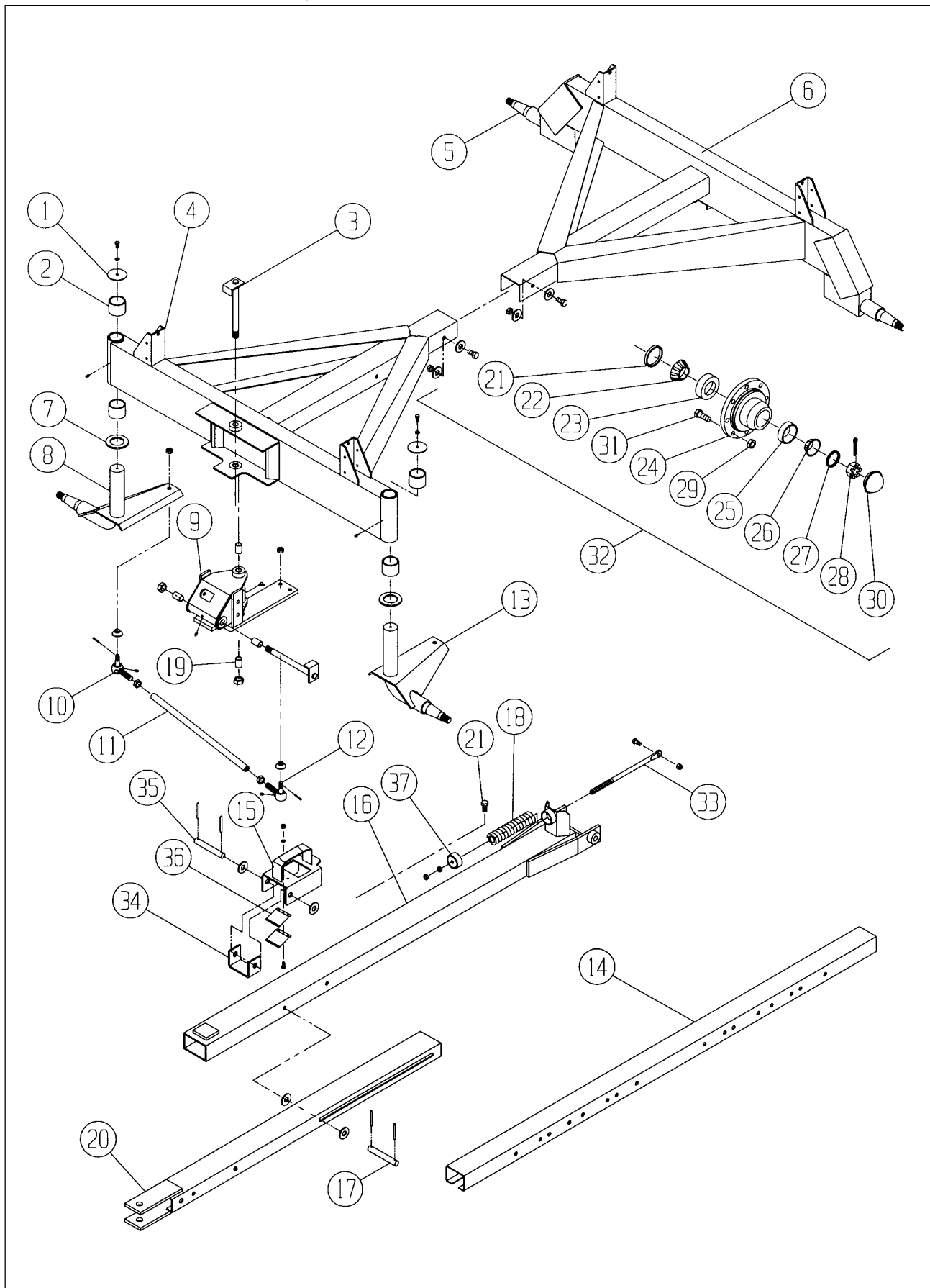


(344355B91 Issue Date: 6/01)

10 & 12 TON 4 -WHEEL

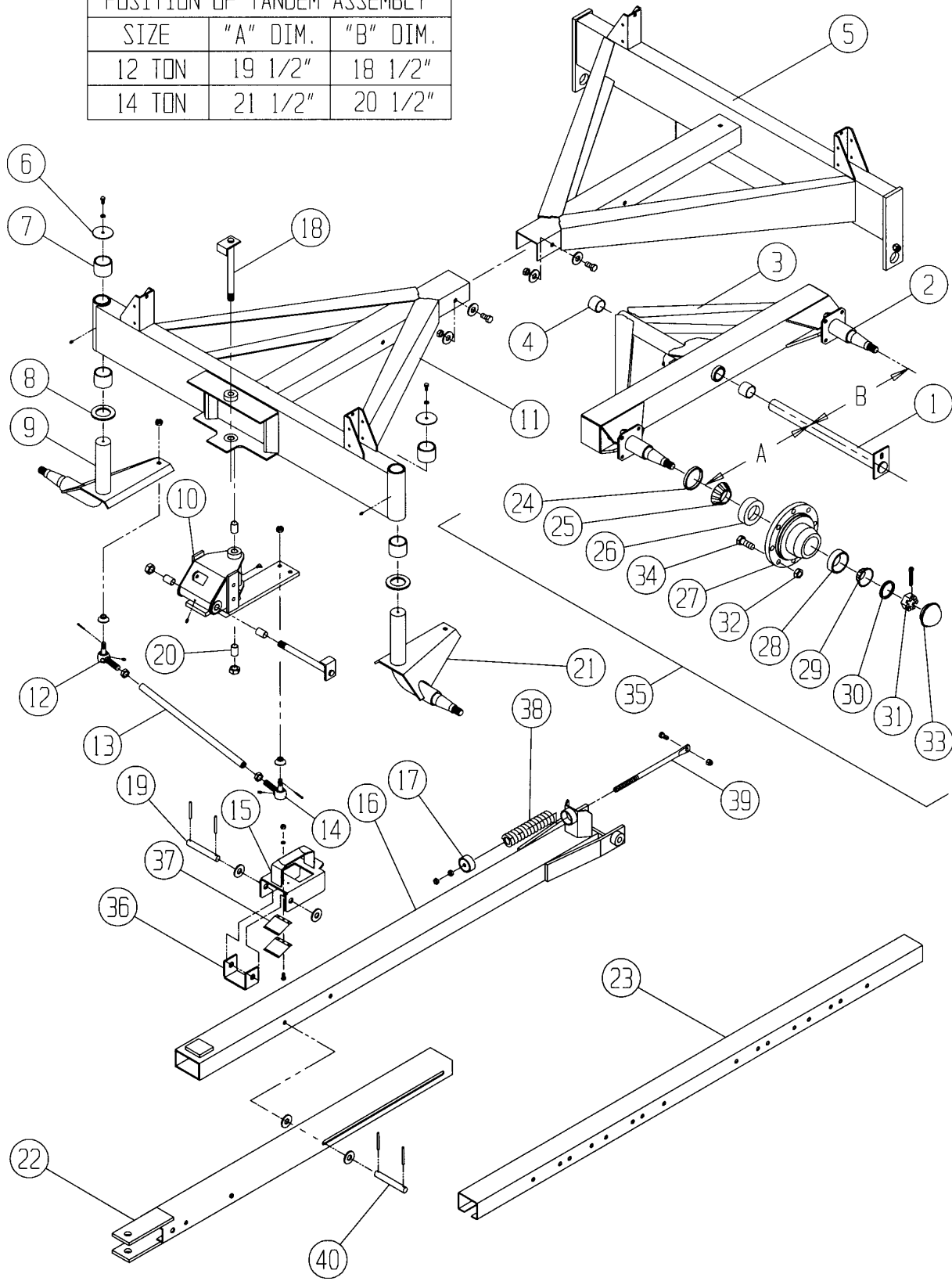
Item	Part No.	Quantity	Description
1	12.10075.7	2	Washer, Flat
	902364	2	Bolt, Hex, 3/8-16 x 3/4
	900504	2	Lockwasher, 3/8, Med
2	12.10018	4	Bushing, 2.25 x 2.62 x 2.0 (12-Ton)
	12.10098	4	Bushing, 2.00 x 2.25 x 2.0 (10-Ton)
3	12.10557.7	2	Pin, Weldment, 7/8
	09.70771	2	Nut, Lock, 7/8-9 Nyl Ins
4	12.10582.7	1	Front Bolster Assy (12-Ton)
	12.10538.7	1	Front Bolster Assy (10-Ton)
	900538	2	Fitting, Grease, 1/4-28
5	12.10082	2	Spindle (12-Ton) Weld In
	12.10097	2	Spindle, (10-Ton) Weld In
6	12.10080.7	1	Rear Bolster Assy (12-Ton)
	12.10120.7	1	Rear Bolster Assy (10-Ton)
	901619	8	Bolt, Hex, 5/8-11 x 1 1/2, Gr5 Pl
	09.70954	16	Washer, Flat, 5/8, Ht, Pl
	906402	8	Nut, Lock, 5/8-11 Nyl Ins
7	12.10077	2	Washer, Flat, Hardened (12-Ton)
	12.10078	2	Washer, Flat, Hardened (10-Ton)
8	12.10163.7	1	Spindle Assy, Right (12-Ton)
	12.10165.7	1	Spindle Assy, Right (10-Ton)
9	12.10561.7	1	Steering Box Weldment
	900538	2	Fitting, Grease, 1/4-28
10	12.10059	2	Ball Joint Kit R.H. (Includes Ball Joint, Boot, Nut, Pin & Fitting)
	903312	2	Nut, Jam, 3/4-16
11	12.10068.7	2	Tie Rod
12	12.10060	2	Ball Joint Kit L.H. (Includes Ball Joint, Boot, Nut, Pin & Fitting)
	09.70761	2	Nut, Jam, 3/4-16 L.H.
13	12.10162.7	1	Spindle Assy, L.H. (12-Ton)
	12.10164.7	1	Spindle Assy, L.H. (10-Ton)
14	12.10050.7		Reach, (92" Long)
	12.10051.7		Reach, (116" Long)
	12.10052.7		Reach, (144" Long)
15	12.10524.7	1	Adjuster Weldment
16	12.10704	1	Pole, Long
17	12.10651	1	Pin, 5/8 x 6.06
	900498	2	Washer, Flat, 5/8
	09.72003	2	Pin, Roll, 3/16 x 2
18	12.10056	1	Spring, Compression
19	12.10026	4	Bushing, .875 x 1.00 x 1.5
20	12.10516.7	1	Pole Extension Weldment
21	12.10159	4	Seal, Oil, 2 1/4" (12-Ton)
	902407	4	Seal 2" (10-Ton)
22	902892	4	Bearing Cone (12-Ton)
	901150	4	Bearing Cone (10-Ton)
23	902893	4	Bearing Cup (12-Ton)
	901151	4	Bearing Cup (10-Ton)

10 & 12 TON 4 -WHEEL, continued



12 & 14 TON TANDEM

POSITION OF TANDEM ASSEMBLY		
SIZE	"A" DIM.	"B" DIM.
12 TON	19 1/2"	18 1/2"
14 TON	21 1/2"	20 1/2"





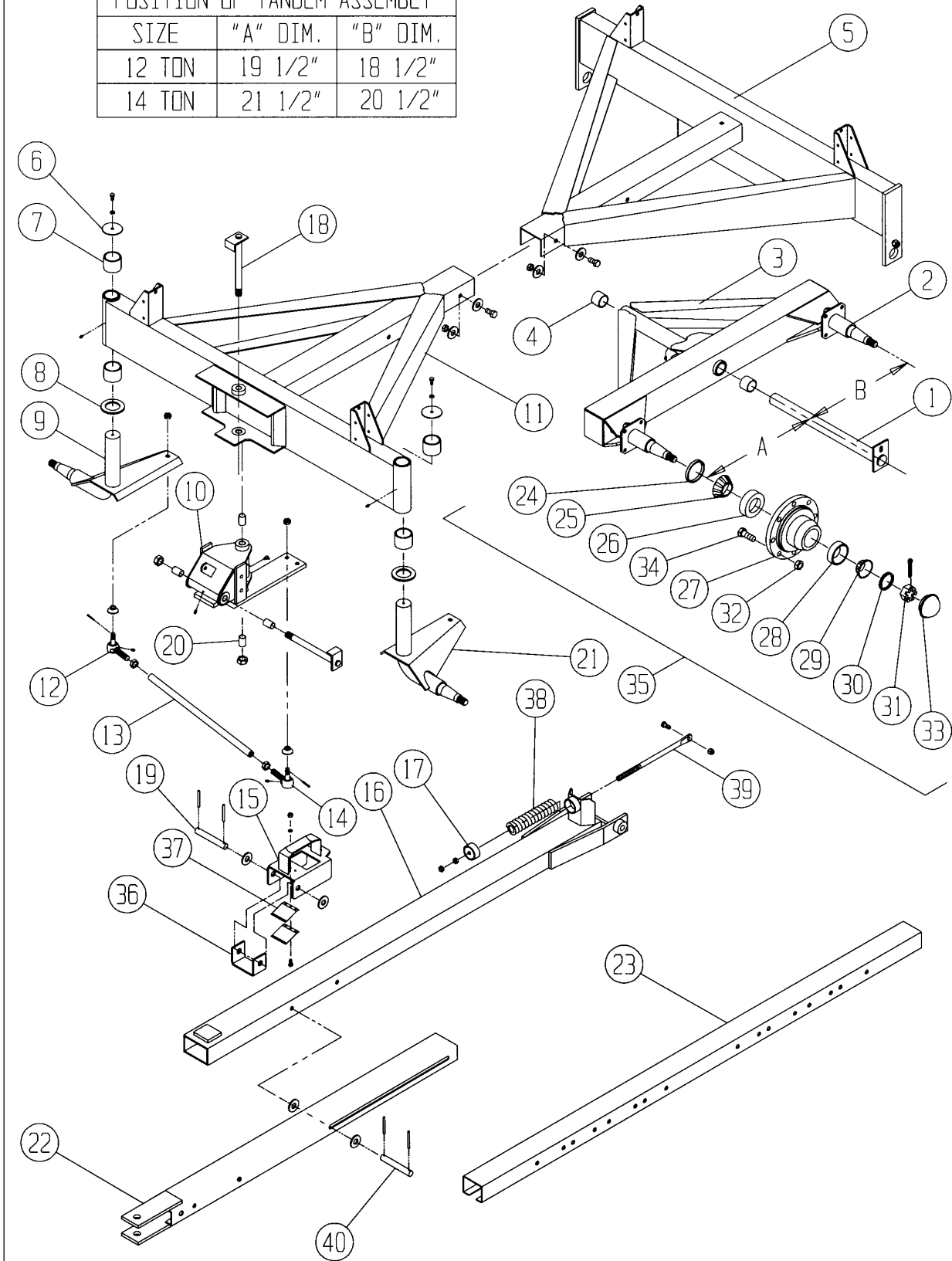
(344355B91 Issue Date: 6/01)

12 & 14 TON TANDEM

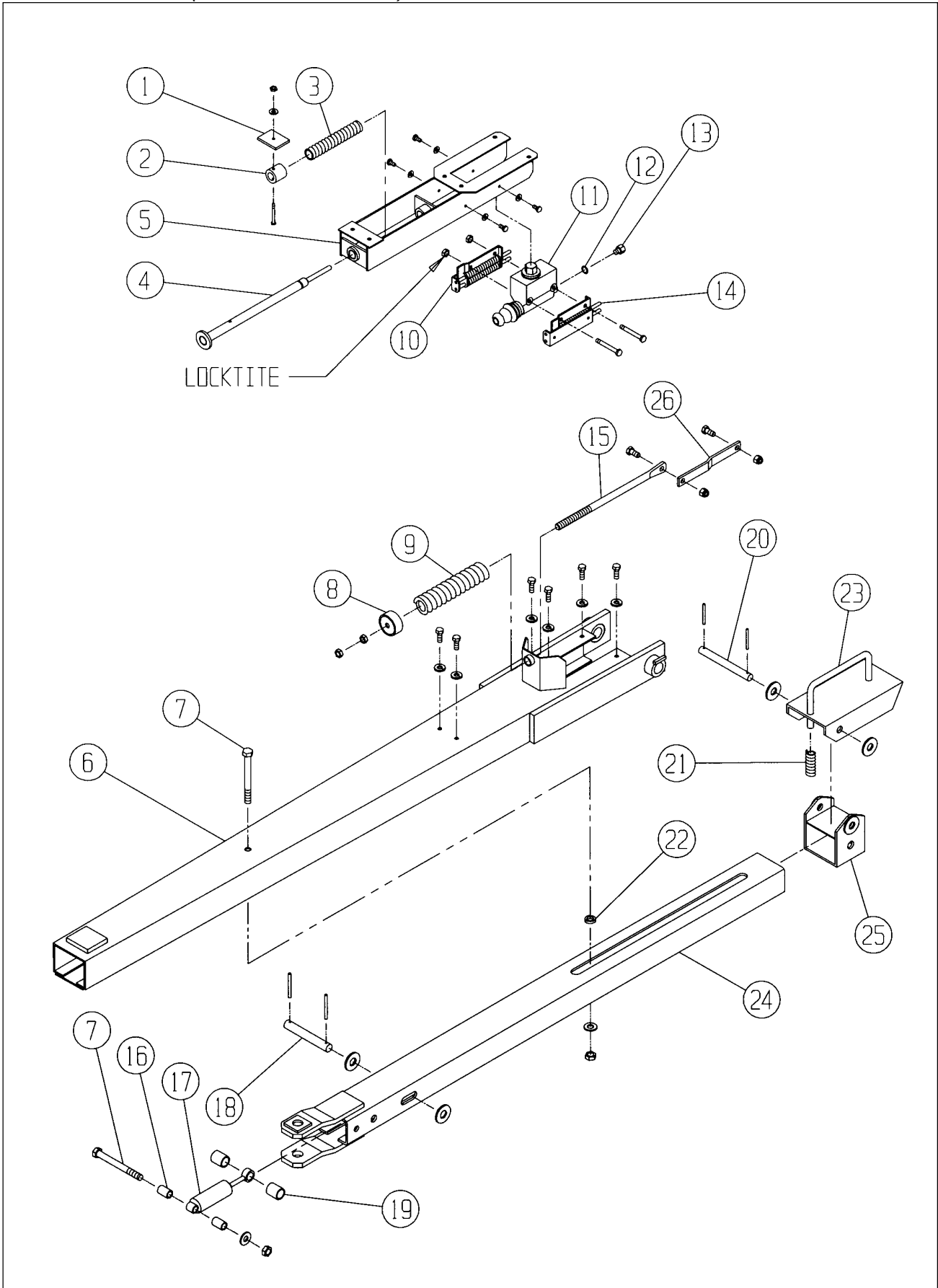
Item	Part No.	Quantity	Description
1	12.10567.7	2	Shaft Assembly, Tandem
	906402	2	Nut, 5/8-11 Nylon
2	12.10082	4	Spindle (14-Ton)
	12.10097	4	Spindle (12-Ton)
3	12.10597.7	2	Tandem Weldment, 14T, W/O Hub
	12.10596.7	2	Tandem Weldment, 12T, W/O Hub
	900538	2	Fitting, Grease, 1/4-28
4	12.10099	4	Bushing, 1.75 x 2.00 x1.5
5	12.10553.7	1	Rear Bolster Weldment
	901619	8	Bolt, Hex, 5/8-11 x 1 1/2, Gr 5 Pl
	09.70954	16	Washer, Flat, 5/8, Ht, Pl
	906402	8	Nut, Lock, 5/8-11 Nyl Ins
6	12.10075.7	2	Washer, Flat
	902364	2	Bolt, Hex, 3/8-16 x 3/4
	900504	2	Washer, Lock, 3/8, Med
7	12.10018	4	Bushing, 2.25 x 2.62 x 2.00
	12.10098	4	Bushing, 2.00 x 2.25 x 2.00
8	12.10077	2	Washer, Flat, Ht, (14T)
	12.10078	2	Washer, Flat, Ht (12T)
9	12.10163.7	1	Spindle Assy, Right (14T)
	12.10165.7	1	Spindle Assy, Right (12T)
10	12.10561.7	1	Steering Box Weldment
	900538	2	Fitting, Grease, 1/4-28
11	12.10582.7	1	Front Bolster Assy, (14T)
	12.10538.7	1	Front Bolster Assy, (12T)
	900504	2	Fitting, Grease, 1/4-28
12	12.10060	2	Ball Joint Kit, LH (Includes Ball Joint, Boot, Nut Pin & Fitting)
	09.70761	2	Nut, Jam, 3/4-16
13	12.10068.7	2	Tie Rod
14	12.10059	2	Ball Joint Kit, RH (Includes Ball Joint, Boot, Nut Pin & Fitting)
	903312	2	Nut, Jam, 3/4-16
15	12.10524.7	1	Adjuster Weldment
16	12.10704	1	Pole Assy, Long
17	12.10497.7	1	Guide Wldmt, Spring
18	12.10557.7	2	Pin Weldment, 7/8
	09.70771	2	Nut, Lock, 7/8-9 Nyl Ins
19	12.10527	1	Pin, 5/8 x 7
	900498	2	Washer, Flat, 5/8
	09.72003	2	Pin, Roll, 3/16 x 2
20	12.10026	4	Bushing, .875 x1.00 x1.5
21	12.10162.7	1	Spindle Assy, Lft (14T)
	12.10164.7	1	Spindle Assy, Lft (12T)
22	12.10516.7	1	Pole Extension Weldment
23	12.10050.7		Reach, 92" Long
	12.10051.7		Reach, 116" Long
	12.10052.7		Reach, 144" Long
24	12.10159	6	Seal, (14T)
	902407	6	Seal, (12T)
25	902892	6	Bearing Cone (14T)

12 & 14 TON TANDEM, continued

POSITION OF TANDEM ASSEMBLY		
SIZE	"A" DIM.	"B" DIM.
12 TON	19 1/2"	18 1/2"
14 TON	21 1/2"	20 1/2"



BRAKE POLE (14,15 & 18 TON)



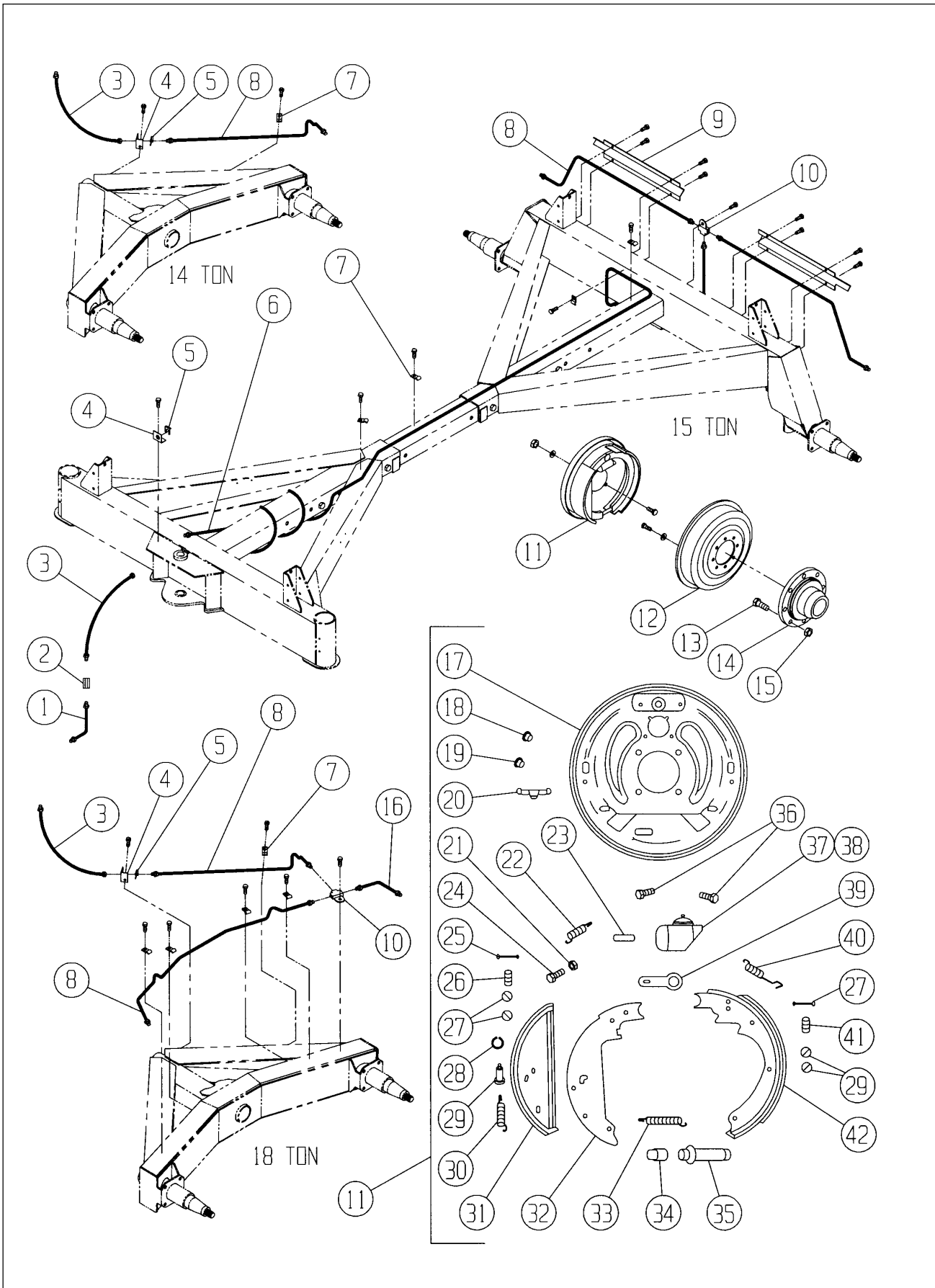


(344355B91 Issue Date: 6/01)

BRAKE POLE (14, 15 & 18 TON)

Item	Part No.	Quantity	Description
1	12.10438.5	1	Stop, Inner Bushing
2	12.10433.5	1	Bushing, Bracket Inner
	09.71075	1	Bolt, Hex, 1/4-20 x 2 1/4
	900502	1	Lockwasher, 1/4, Med
	904092	1	Nut, Lock, 1/4-20, Nyl Ins
3	110090A1	1	Spring, Compression
4	12.10434	1	Push Rod Brake Weldment
5	12.10407.5	1	Support, Brake Weldment
	900389	4	Bolt, Hex, 5/16-18 x 1/2
	900503	4	Lockwasher, 5/16, Med
6	12.10415.5	1	Pole Weldment, Brake (15-18 Ton)
	12.10672.5	1	Pole Weldment, Brake (14Ton)
	900397	6	Bolt, Hex, 3/8-16 x 1
	900504	6	Lockwasher, 3/8-16, Med
7	904217	2	Bolt, Hex, 5/8-11 x 5, Gr 5
	900498	2	Flatwasher, 5/8
	906402	2	Nut, Lock, 5/8-11 Nyl Ins
8	12.10497.7	1	Guide Weldment, Spring 3/4
9	12.10056	1	Spring, Compression, .38 x 2.00 x 9.25
10	12.10441.5	1	Cylinder Brake Assy, Right
11	12.10440.5	1	Master Cylinder
	902831	2	Bolt, Hex, 3/8-16 x 3
	906400	2	Nut, 3/8-16, Lock
12	12.10439	1	Gasket, Brake
13	12.10457	1	Connector, Brake
14	12.10442.5	1	Cylinder Brake Assy, Left
15	12.10495	1	Bolt, Spade 3/4
	900372	2	Nut, 3/4-10
	902050	1	Bolt, Hex, 1/2-13 x 2
	906401	1	Nut, Lock, 1/2-13 Nyl Ins
16	12.10406.5	2	Spacer Shock Absorber
17	12.10443.5	1	Shock Absorber, Brake
18	12.10436	1	Pin, 7/8, Brake
	09.72003	2	Pin, Roll, 3/16 x 2
	09.70970	2	Flatwasher, 7/8
19	12.10414.5	2	Spacer, Shock Absorber
20	12.10388	1	Pin, 3/4 x 7
	900499	2	Flatwasher, 3/4
	09.72003	2	Pin, Roll, 3/16 x 2
21	12.10490	1	Spring, Compression
22	12.10048.5	1	Spacer
23	12.10360.7	1	Adjuster, Weldment
24	12.10410.5	1	Pole Extension, Brake Weldment
25	12.10405.5	1	Pivot, Adjuster, Brake Weldment
26	12.10674.5	1	Link, Offset
	902050	1	Bolt, Hex, 1/2-13 x 2
	906401	1	Nut, Lock, 1/2-13 Nyl Ins

BRAKES (14,15 &18 TON)



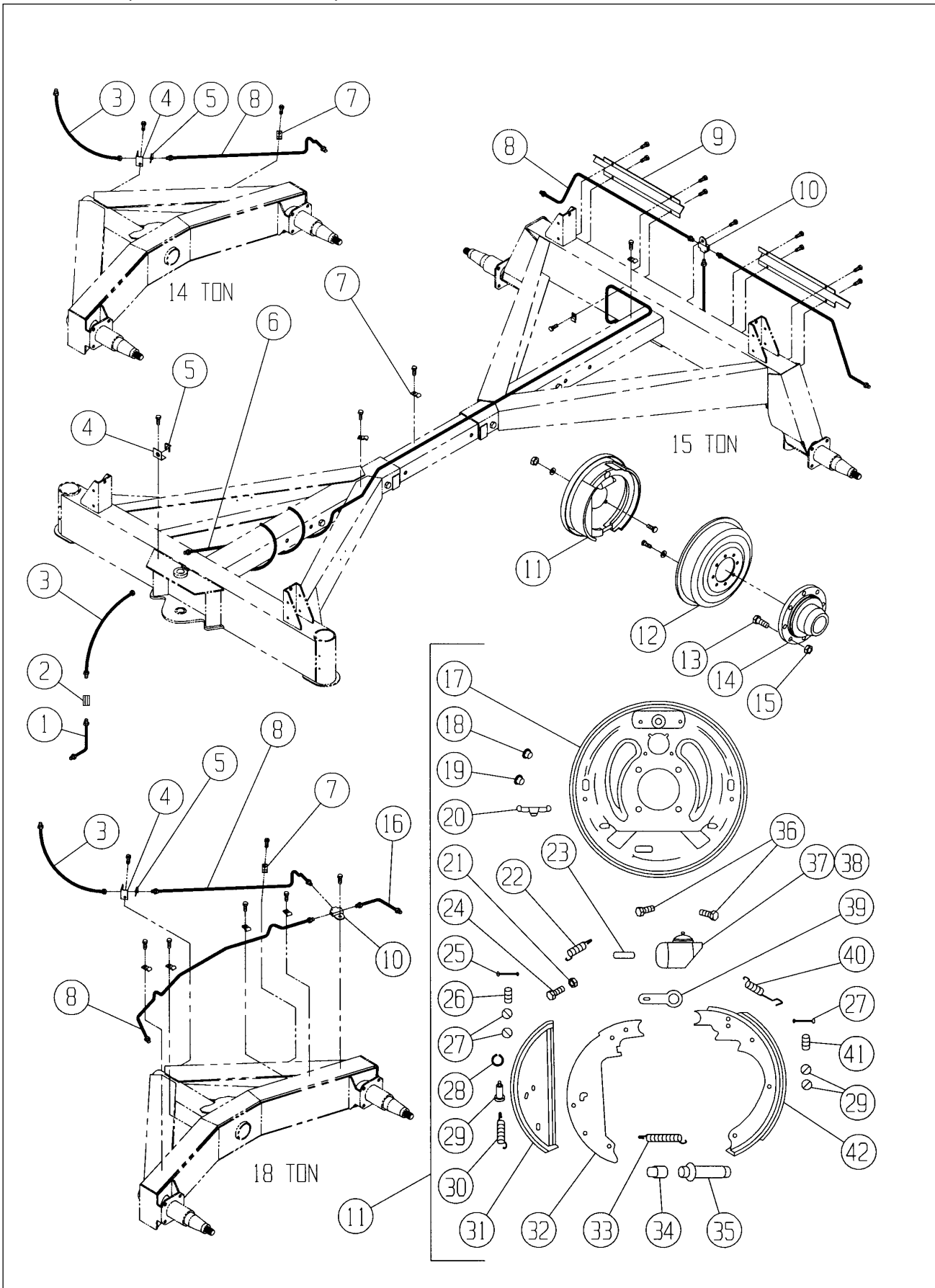


(344355B91 Issue Date: 6/01)

BRAKES (14,15 &18 TON)

Item	Part No.	Quantity	Description
1	12.10458	1	Tube, 4 1/2
2	12.10445	1	Union
3	12.10446	1	Hose, 18 7/8" (15 Ton)
		3	Hose, 18 7/8" (14&18 Ton Tandem)
4	12.10448	1	Hose, Bracket (15 Ton)
	09.71112	1	Bolt, Hex, 5/16-18 x 3/4 (15 Ton)
	12.10448	3	Hose, Bracket (14&18 Ton Tandem)
	09.71112	3	Bolt, Hex, 5/16-18 x 3/4 (15 Ton)
5	12.10449	1	Hose Clip (15 Ton)
		3	Hose Clip (14&18 Ton Tandem)
6	12.10450	1	Tube, 15'
7	12.10454	4	Clip (15 Ton)
	12.10454	6	Clip (14 Ton)
	12.10454	14	Clip (18 Ton Tandem)
	907060	4	Screw, Hex Head Washer
	907060	6	Screw, Hex Head Washer
	907060	14	Screw, Hex Head Washer
8	12.10451	2	Tube, 53" (14&15 Ton)
	12.10451	2/4	Tube, 53" (18 Ton)
9	12.10444	2	Cover, Brake Line (15 Ton)
	09.71112	8	Bolt, Hex, 5/16-18 x 3/4 (15 Ton)
10	12.10447	1	Tee, w/Brk (14&15 Ton)
		1/3	Tee, w/Brk (18 Ton Tandem)
	09.71112	1	Bolt, Hex, 5/16-18 x 3/4 (14&15 Ton)
		1/3	Bolt, Hex, 5/16-18 x 3/4 (18 Ton Tandem)
11	903193	1	Brake, Left Backing Plate Assembly (14&15 Ton)
		1/2	Brake, Left Backing Plate Assy (18 Ton Tandem)
	903292	4	Bolt, Hex, 1/2-20 x 1 (14&15 Ton)
		4/8	Bolt, Hex, 1/2-20 x 1 (18 Ton Tandem)
	900506	4	Lockwasher, 1/2, Med (14&15 Ton)
		4/8	Lockwasher, 1/2, Med (18 Ton Tandem)
	901300	4	Nut, 1/2-20 (14&15 Ton)
		4/8	Nut, 1/2-20 (18 Ton Tandem)
Not Shown	903192	1	Brake, Right Backing Plate Assembly (14&15 Ton)
		1/2	Brake, Right Backing Plate Assy (18 Ton Tandem)
	903292	4	Bolt, Hex, 1/2-20 x 1 (14&15 Ton)
		4/8	Bolt, Hex, 1/2-20 x 1 (18 Ton Tandem)
	900506	4	Lockwasher, 1/2, Med (14&15 Ton)
		4/8	Lockwasher, 1/2, Med (18 Ton Tandem)
	901300	4	Nut, 1/2-20 (14&15 Ton)
		4/8	Nut, 1/2-20 (18 Ton Tandem)
12	12.10396.5	2	Brake, Drum, 13", 2 1/4 Spindle (14 Ton)
	12.10397.5	2	Brake Drum, 13", 2 3/4" Spindle (15 Ton)
		2/4	Brake Drum, 13", 2 3/4" Spindle (18 Ton Tandem)
	903292	12	Bolt, Hex, 1/2-20 x 1 (14 Ton)
		16	Bolt, Hex, 1/2-20 x 1 (15 Ton)
		16/32	Bolt, Hex, 1/2-20 x 1 (18 Ton Tandem)

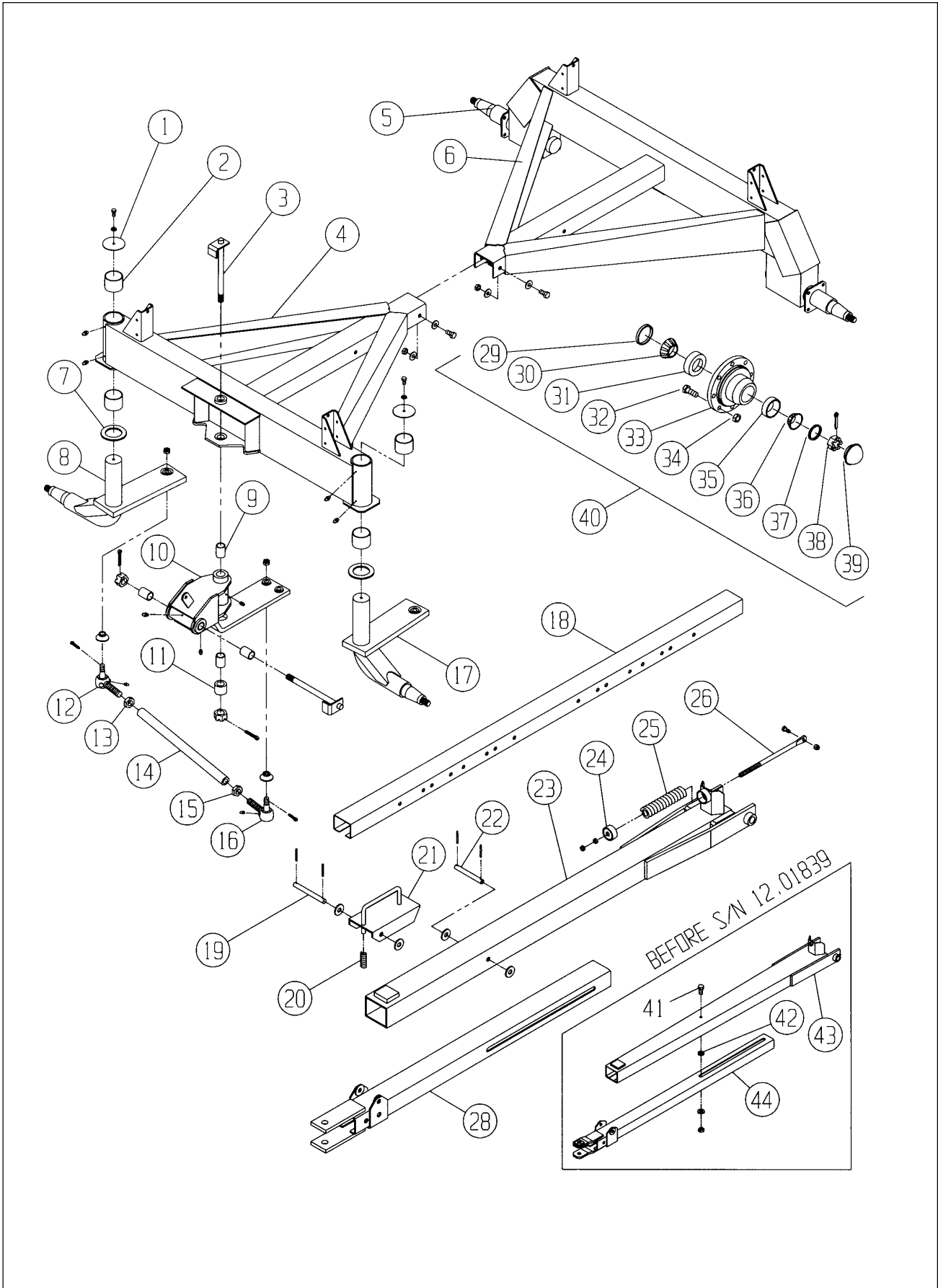
BRAKES (14,15 &18 TON), continued





Item	Part No.	Quantity	Description
	900506	12	Lockwasher, 1/2 Med (14 Ton)
		16	Lockwasher, 1/2, Med (15 Ton)
		16/32	Lockwasher, 1/2, Med (18 Ton Tandem)
13	65.10122	16	Stud (14&15 Ton)
		16/32	Stud (18 Ton)
14	12.10670.5	2*	Hub Assy, Brake (14 Ton)
	12.10671.5	2**	Hub Assy, Brake (15 Ton)
		2/4	Hub Assy, Brake (18 Ton)
15	65.10125	16	Nut (14&15 Ton)
	65.10125	16/32	Nut (18 Ton Tandem)
16	12.10452	2/4	Tube, 8 7/8" (18 Ton Tandem) 4 Wheel Brakes
17	12.10460	2/4	Back Plate Assy
18	12.10485	2/4	Plug, Plastic
19	903259	2/4	Plug, Plastic
20	903246	2/4	Cover Plate, Adjusting Hole
21	903936	2/4	Nut, Lock, 5/16
22	903240	2/4	Spring, Front Lever (Red)
23	903238	2/4	Push Rod, Wheel Cylinder
24	903827	2/4	Bolt, Travel Link
25	903242	4/4	Pin, Shoe Hold Down
26	903244	2/4	Spring, Front Hold Down (Yellow)
27	903243	8/16	Cup, Shoe Hold Down
28	902854	2/4	Retaining Ring
29	12.10482	2/4	Pin, Front Shoe
30	903258	2/4	Spring, Front Shoe
31	903229	2/4	Front Brake Shoe Assy
32	903230	2/4	Front Shoe Lever
33	903239	2/4	Spring, Adjusting Screw (Yellow)
34	903237	2/4	Socket, Adjusting Screw
35	12.10467	2/4	Adjusting Screw & Pivot Nut
36	12.10466	4/4	Screw & Lockwasher
37	903232	1/2	Wheel Cyl. Assy, Right
38	903233	1/2	Wheel Cyl. Assy, Left
39	903255	2/4	Travel Link
40	903241	2/4	Spring, Rear Shoe (Orange)
41	903245	2/4	Spring, Rear Hold Down (Black)
42	903231	2/4	Rear Shoe Assy
			* Individual parts same as 12.10167.7 except for hub (Page 9 Item 35)
			** Individual parts same as 05.78050 except for hub (Page 21 Item 40)

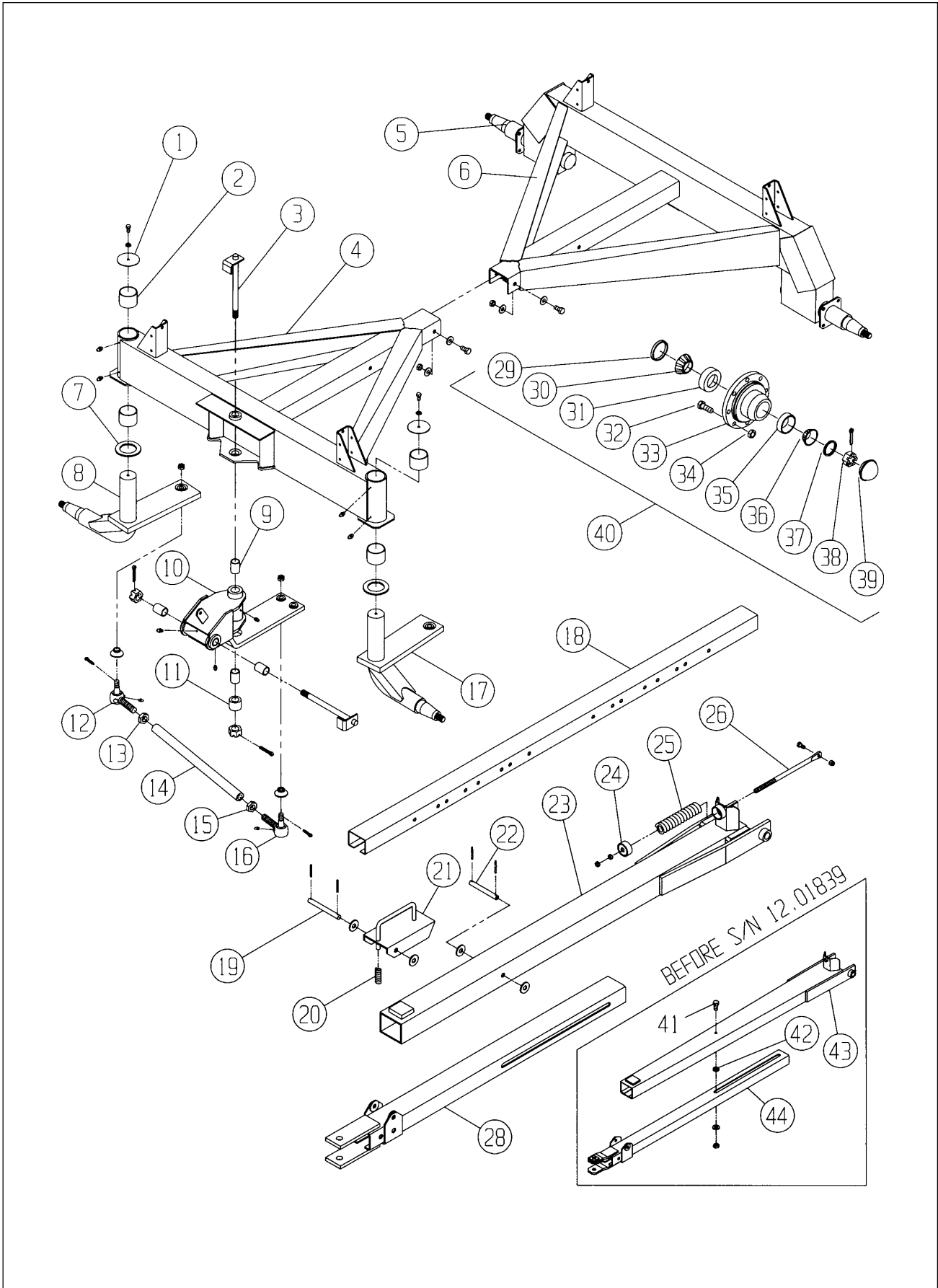
15 TON 4-WHEEL



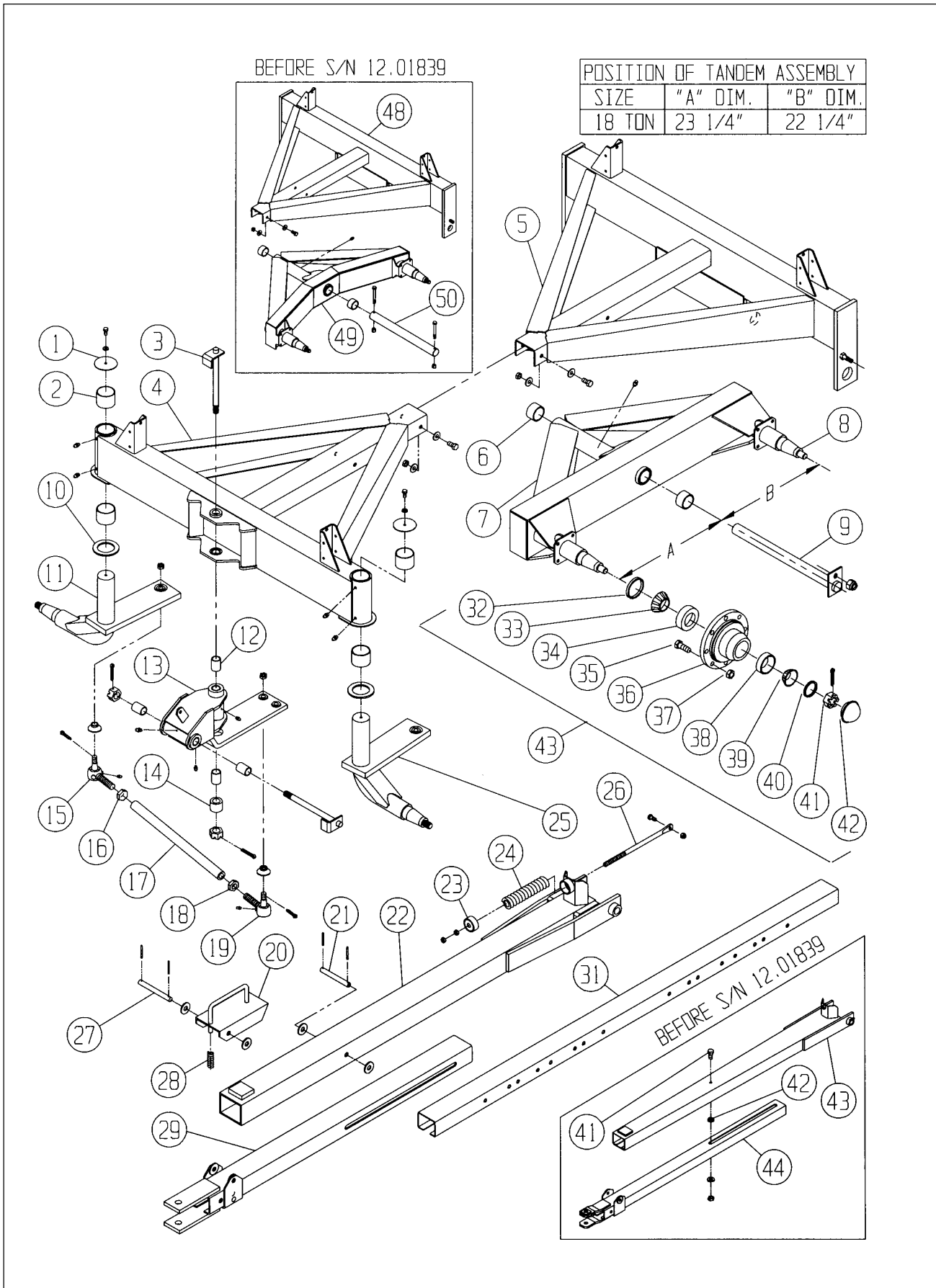


Item	Part No.	Quantity	Description
1	12.10325	2	Washer, Flat
	902364	2	Bolt, Hex, 3/8-16 x 3/4
	900504	2	Lockwasher, 3/8, Med
2	12.10322	4	Bushing, 2.75 x 3.00 x 2.50
3	12.10606.7	2	Pin Weldment
	09.73906	2	Pin, Cotter, 5/16 x 2 1/2
	904866	2	Nut, Slotted, 1 1/4-7
4	12.10315 (1)	1	Front Bolster Weldment Before S/N 12.01839
	12.10620.7	1	Front Bolster Weldment After S/N 12.01839
	901619	4	Bolt, Hex, 5/8-11 x 1 1/2, Gr5
	09.70954	8	Flatwasher, 5/8, HT
	906402	4	Nut, Lock, 5/8-11 Nyl Ins
	905081	4	Fitting, Grease, 1/4-28 x 3/4
5	12.10349	2	Spindle
6	12.10310 (2)	1	Rear Bolster Weldment Before S/N 12.01839
	12.10690.7	1	Rear Bolster Weldment After S/N 12.01839
	901619	4	Bolt, Hex, 5/8-11 x 1 1/2, Gr5
	09.70954	8	Flatwasher, 5/8, HT
	906402	4	Nut, Lock, 5/8-11 Nyl Ins
7	12.10324	2	Washer, Flat, Hardened
8	12.10617.7	1	Spindle Weldment, Right
9	16.10645	4	Bushing, 1 1/4 x 1 1/2 x 2
10	12.10330 (3)	1	Hitch Box Weldment Before S/N 12.01839
	12.10665.7	1	Hitch Box Weldment After S/N 12.01839
	900538	2	Fitting, Grease, 1/4-28
11	12.10377.7	1	Bushing, Pole
	09.70985	1	Washer, Flat, 1 1/4 x 1 7/8
12	12.10304	2	Ball Joint Kit R. H. (Includes Ball Joint, Boot, Nut, Pin & Fitting)
13	12.10375	2	Nut, Jam, 1-16
14	12.10302.7	2	Tie Rod
15	12.10374	2	Nut, Jam, 1-16 L.H.
16	12.10303	2	Ball Joint Kit L.H. (Includes Ball Joint, Boot, Nut, Pin & Fitting)
17	12.10616.7	1	Spindle Weldment, Left
18	12.10050.7		Reach (92" Long)
	12.10051.7		Reach (116" Long)
	12.10052.7		Reach (144" Long)
19	12.10388	1	Pin, 3/4 x 7
	900499	2	Flatwasher, 3/4
	09.72003	2	Pin, Roll, 3/16 x 2
20	12.10490	1	Spring, Compression
21	12.10360.7	1	Adjuster Weldment
	(1) Replaced by 12.10620.7		
	(2) Replaced by 12.10690.7		
	(3) Replaced by 12.10665.7		

15 TON 4-WHEEL, continued



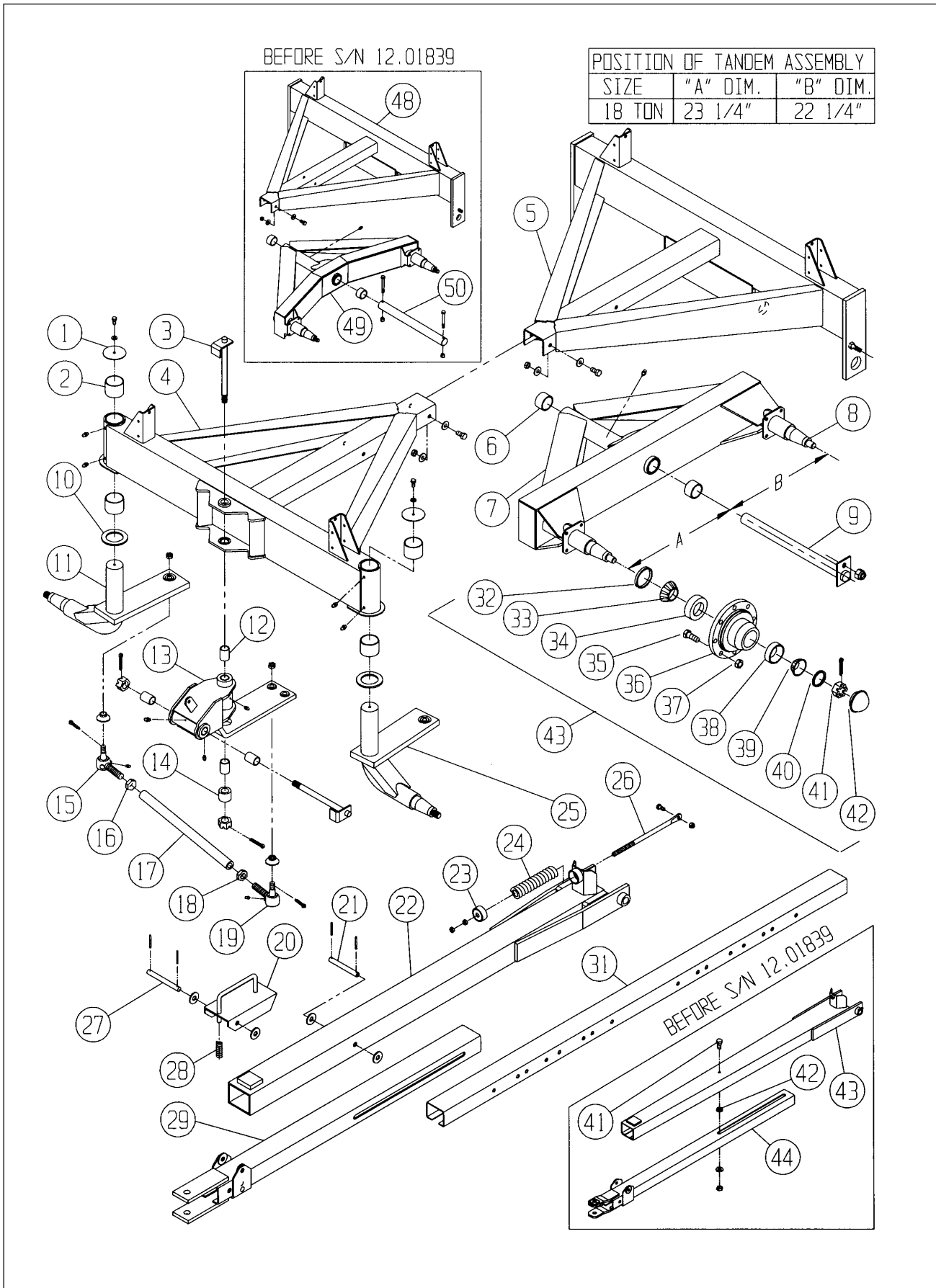
18 TON TANDEM





Item	Part No.	Quantity	Description
1	12.10325	2	Washer, Flat
	902364	2	Bolt, Hex, 3/8-16 x 3/4
	900504	2	Lockwasher, 3/8, Med
2	12.10322	4	Bushing, 2.75 x 3.00 x 2.50
3	12.10606.7	2	Pin Weldment
	09.73906	2	Pin, Cotter, 5/16 x 2 1/2
	904866	2	Nut, Slotted, 1 1/4-7
4	12.10315 (1)	1	Front Bolster Weldment Before S/N 12.01839
	12.10620.7	1	Front Bolster Weldment After S/N 12.01839
	901619	4	Bolt, Hex, 5/8-11 x 1 1/2, Gr5
	09.70954	8	Flatwasher, 5/8, HT
	906402	4	Nut, Lock, 5/8-11 Nyl Ins
	905081	4	Fitting, Grease, 1/4-28 x 3/4
5	12.10631.7	1	Rear Bolster Weldmen After S/N 12.01839t
	901619	4	Bolt, Hex, 5/8-11 x 1 1/2, Gr5
	09.70954	8	Flatwasher, 5/8, HT
	906402	4	Nut, Lock, 5/8-11 Nyl Ins
6	12.10018	4	Bushing, 2.25 x 2.62 x 2.00
7	12.10685.7	2	Tandem Wldmt, 18T, w/o Hubs After S/N 12.01839
	900538	1	Fitting, Grease, 1/4-28
8	12.10349	4	Spindle Weld In
9	12.10636.7	2	Tandem Pivot Shaft After S/N 12.01839
	906349	1	Nut, Lock, 3/4
10	12.10324	2	Washer, Flat, 2.81 x 4.25 x .25
11	12.10617.7	1	Spindle Wldmt, Right, w/o Hub
12	16.10645	4	Bushing, 1 1/4 x 1 1/2 x 2
13	12.10330 (2)	1	Hitch Box Weldment, Before S/N 12.01839
	12.10665.7	1	Hitch Box Weldment, After S/N 12.01839
	900538	2	Fitting, Grease, 1/4-28
14	12.10377.7	1	Bushing, Pole
	09.70985	1	Washer, Flat, 1 1/4 x 1 7/8
15	12.10304	2	Ball Joint Kit RH (Incl. Ball Jnt, Boot, Nut, Pin & Fitting)
16	12.10375	2	Nut, Jam, 1-16
17	12.10302.7	2	Tie Rod
18	12.10374	2	Nut, Jam, 1-16 L.H.
19	12.10303	2	Ball Joint Kit LH (Incl Ball Jnt, Boot, Nut, Pin & Fitting)
20	12.10360.7	1	Adjustor, Wldmt
21	12.10656	1	Pin, 3/4 x 6 3/8 After S/N 12.01839
	900499	1	Washer, Flat, 3/4
	09.72003	1	Pin, Roll, 3/16 x 2
22	12.10598.7	1	Pole Wldmt, Straight, After S/N 12.01839
23	12.10497.7	1	Guide Wldmt, Spring
24	12.10056	1	Spring, Compression
25	12.10616.7	1	Spindle Wldmt, Left, w/o Hubs
	(1) Replaced	by 12.10620.7	
	(2) Replaced	by 12.10665.7	

18 TON TANDEM, continued

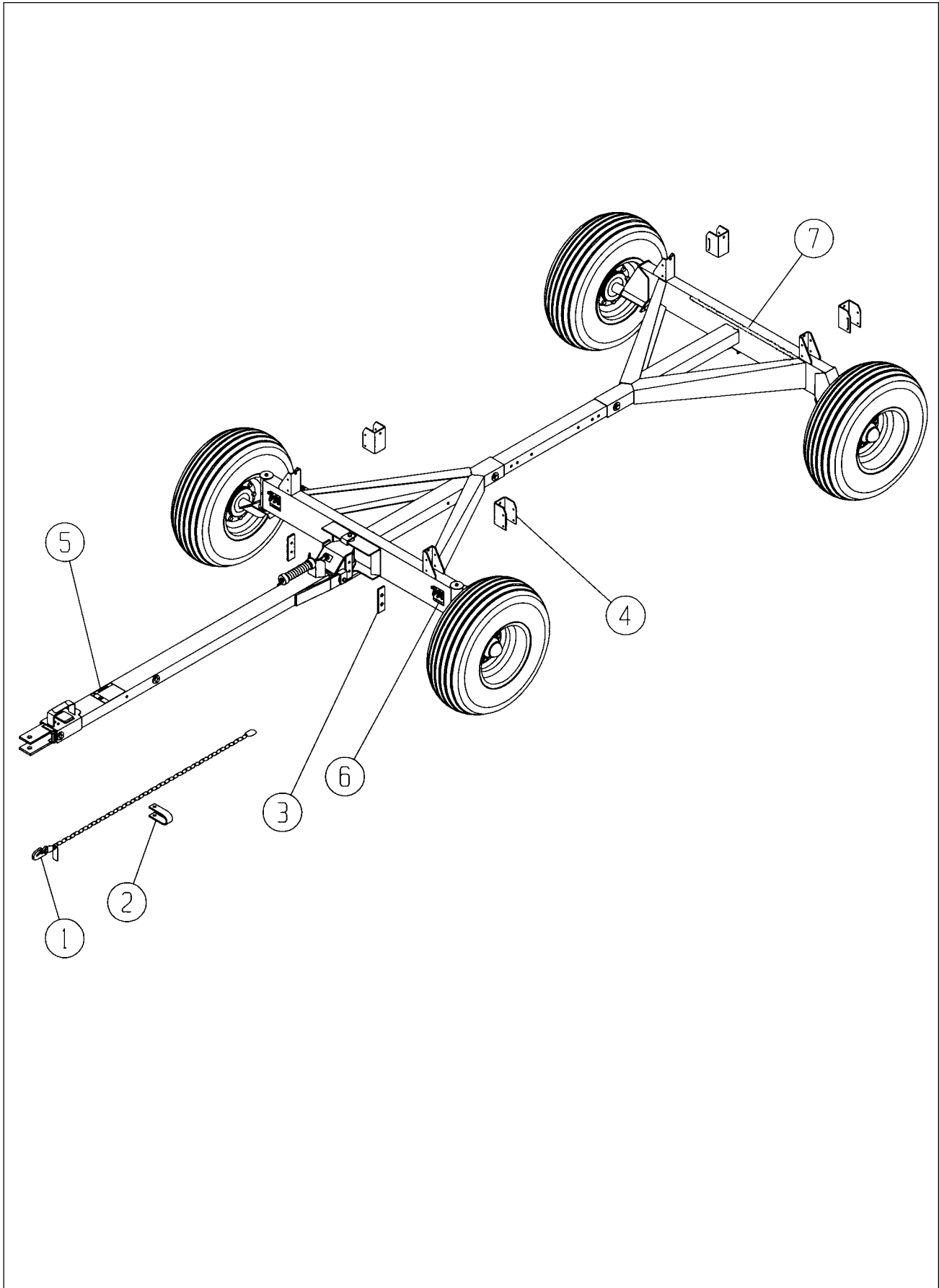


SAFETY CHAIN

DECALS

38" BOLSTER

STEERING STOP
12 TON 4 WHEEL





(344355B91 Issue Date: 6/01)

SAFETY CHAIN

Item	Part No.	Quantity	Description
1	12.10005	1	Chain, Safety, 10,000 lbs
	09.71754	1	Bolt, Hex, 3/4-10 x 2 1/4 Gr5
	900499	1	Flatwasher, 3/4
	900700	1	Lockwasher, 3/4
	900372	1	Nut, Hex, 3/4
2	12.10006.7	1	Clevis
	904635	1	Bolt, Hex, 5/8-11 x 3 1/2
	902193	1	Nut, Lock, 5/8
			STEERING STOP
			12 TON 4 WHEEL
3	12.10591.5	2	Stop, Steering
	14.73097	4	Screw, Flat Head Socket 1/2-13 x 1 1/2
	900506	4	Lockwasher, 1/2
	900369	4	Nut, Hex, 1/2
			38" BOLSTER
4	12.10016.5	4	Bracket, Bolster 38"
	902300	16	Bolt, Hex, 3/8-16 x 1
	903937	16	Nut, Lock, 3/8
			DECALS
5	16.20178	1	Decal, Before Operating
6	12.10692	2	Decal, Miller-St. Nazianz
7	907151	1	Logo Badger 21"

Running Gear Parts Index

<u>PART NO.</u>	<u>PAGES</u>	<u>PART NO.</u>	<u>PAGES</u>	<u>PART NO.</u>	<u>PAGES</u>
05.78050	19,23	12.10082	3,7	12.10415.5	11
09.70761	3,7	12.10097	3,7	12.10433.5	11
09.70765	5,9	12.10098	3,7	12.10434	11
09.70771	3,7	12.10099	7	12.10436	11
09.70954	3,7,17,21	12.10120.7	3	12.10438.5	11
09.70970	11	12.10152.7	5,9	12.10439	11
09.70985	17,21	12.10155	5,9	12.10440.5	11
09.71075	11	12.10157.7	5,9	12.10441.5	11
09.71112	13	12.10159	3	12.10442.5	11
09.71754	25	12.10162.7	3,7	12.10443.5	11
09.72003	3,5,7,9,11,17	12.10163.7	3,7	12.10444	13
09.72003	19,21,23	12.10164.7	3,7	12.10445	13
09.72807	5,9	12.10165.7	3,7	12.10446	13
09.73906	17,21	12.10166	5,9	12.10447	13
09.74002	5,9	12.10167	5,9	12.10448	13
09.74003	5,9	12.10302.7	17,21	12.10449	13
110090A1	11	12.10303	17,21	12.10450	13
12.00089	5,19,23	12.10304	17,21	12.10451	13
12.00090	5,9,19,23	12.10310	17	12.10452	15
12.00091	5,19,23	12.10315	17,21	12.10454	13
12.00092	5,9	12.10322	17,21	12.10457	11
12.00093	5,9	12.10324	17,21	12.10458	13
12.00103	5,9,19,23	12.10325	17,21	12.10460	15
12.00114	19,23	12.10330	17,21	12.10466	15
12.10005	25	12.10345.7	19,23	12.10467	15
12.10006.7	25	12.10349	17,21	12.10482	15
12.10016.5	25	12.10350.7	19,23	12.10485	15
12.10018	3,7,21	12.10360.7	11,17,21	12.10490	11,17,23
12.10026	3,7	12.10370.7	23	12.10495	5,9,11,19,23
12.10048.5	11,19,23	12.10374	17,21	12.10497.7	5,7,11,19,21
12.10050.7	3,7,17,23	12.10375	17,21	12.10506	19
12.10051.7	3,7,17,23	12.10377.7	17,21	12.10507	5,9
12.10052.7	3,7,17,23	12.10388	11,17,23	12.10516.7	3,7
12.10056	3,9,11,19,21	12.10396.5	13	12.10524.7	3,7
12.10059	3,7	12.10397.5	13	12.10526.7	5,9
12.10060	3,7	12.10401	23	12.10527	5,7
12.10068.7	3,7	12.10405.5	11	12.10538.7	3,7
12.10075.7	3,7	12.10406.5	11	12.10553.7	7
12.10077	3,7	12.10407.5	11	12.10557.7	3,7
12.10078	3,7	12.10410.5	11	12.10561.7	3,7
12.10080.7	3	12.10414.5	11	12.10567.7	7



(344355B91 Issue Date: 6/01)

Running Gear Parts Index

<u>PART NO.</u>	<u>PAGES</u>	<u>PART NO.</u>	<u>PAGES</u>	<u>PART NO.</u>	<u>PAGES</u>
12.10582.7	3,7	900495	9	903242	15
12.10591.5	25	900498	3,5,7,11,19,23	903243	15
12.10596.7	7	900499	5,9,11,17,19,21	903244	15
12.10597.7	7	900499	23,25	903245	15
12.10598.7	19,21	900502	11	903246	15
12.10603.7	19,23	900503	11	903255	15
12.10606.7	17,21	900504	3,7,11,17,21	903258	15
12.10615.7	23	900506	13,15,25	903259	15
12.10616.7	17,21	900538	3,7,17,21	903292	13
12.10617.7	17,21	900616	5,9	903312	3,7
12.10620.7	17,21	900617	5,9	903827	15
12.10631.7	21	900700	25	903936	15
12.10636.7	21	901150	3,9,19,23	903937	25
12.10651	3,9	901151	3,9,19,23	904092	11
12.10656	19,21	901181	5,9	904217	11,19,23
12.10665.7	17,21	901182	5,9	904334	23
12.10670.5	15	901300	13	904635	25
12.10671.5	15	901619	3,7,17,21	904866	17,21
12.10672.5	11	902050	5,9,11,19,23	905081	17,21
12.10674.5	11	902193	25	905786	5,9
12.10685.7	21	902300	25	906349	21
12.10690.7	17	902364	3,7,17,21	906400	11,23
12.10692	25	902407	3,7	906401	5,9,11,19
12.10704	3,7	902831	11	906401	23
12.10407.5	11	902854	15	906402	3,7,11,17
12.10603.7	19	902892	3,7	906402	19,21,23
14.73097	25	902893	3,9	907060	13
16.10645	17,21	903192	13	907151	25
16.20178	25	903193	13		
65.10100	19,23	903203	19,23		
65.10102	19,23	903204	19,23		
65.10104	19,23	903229	15		
65.10106	19,23	903230	15		
65.10112	19,23	903231	15		
65.10120	19,23	903232	15		
65.10122	5,9,15,19,,23	903233	15		
65.10125	5,9,15,19,23	903237	15		
900369	25	903238	15		
900372	5,9,11,19,23,25	903239	15		
900389	11	903240	15		
900397	11	903241	15		



RUNNING GEAR

PARTS BOOK

344355B91

Issue Date: 6/01

Badger Farm Systems
P.O. Box 127
St. Nazianz, WI 54232
Telephone: 920-773-2121
Fax: 920-773-1200



© 2001 by Miller-St. Nazianz, Inc.