

NUMERICAL INDEX

Part No.	See Page	Part No.	See Page	Part No.	See Page
32032	25	322577B1	25	324968B91	17
32143	17	322578B1	25	324970B91	13
32144	18	322579B1	25	324971B91	13;017;021
32145	21	322580B91	25	324972B1	13
32213	25	322581B1	25	324974B91	17
32215	25	322582B91	25	324975B91	17
32216	25	322964B91	5;009;010	324981B91	18;021
32933	25	322968B91	5	324982B91	18;021
		322998B91	5	325026B91	9
		322999B1	5	325027B91	9
304296B1	25	323000B1	5	325057B91	18;021
308614B1	2;013	323004B1	5	325058B1	17;018;021
314702B91	17	323011B91	5	325060B1	17;018;021
315089B2	25	323020B91	5	325061B1	25
317309B92	6;009;010	323081B91	6	325391B1	25
319608B1	2;013	323082B91	6	325392B1	25
319616B92	5	323143B91	9	334480B1	9;010
319635B1	5	323566B91	9	335326B1	2
319639B91	10	323567B91	5	335328B91	2;005
319645B1	5	323678B1	17;018;021	335329B91	2
319658B91	2;013	323687B91	18;021	335331B91	2
319682B1	9;010	323688B1	21	335333B91	2
319687B2	10	323691B1	18	335334B91	2
319691B2	9	323693B91	17	335335B91	2
319698B91	5;006	323820B1	17;018;021	335349B91	10
319699B91	5;006	323849B1	17;018	335351B91	10
319700B91	9	323850B91	17;018		
319701B91	10	324887B91	17;018;021		
319709B91	2	324888B1	25		
319715B91	2	324889B1	25		
319727B91	10	324890B1	17;018;021		
319733B91	2	324949B1	13		
319738B91	2	324950B1	13		
319739B91	2	324953B91	13		
319743B91	10	324954B1	13		
319919B1	25	324957B91	13		
319932B1	6;009	324961B91	13		
320214B1	25	324964B91	13		
320588B1	25	324966B91	13		
320767B91	5;009;010	324967B91	18		

NUMERICAL INDEX

Part No.	See Page	Part No.	See Page	Part No.	See Page
900073	10	903280	13	905017	17;018;022
900280	25	903281	13	905018	22
900503	17;018;022	903292	17;018	905020	22
900504	17;018	903334	22	905021	22
900506	17;018	903336	14	905022	22
900515	10	903337	14	905023	22
900516	5	903338	14	905024	22
900538	5;010	903339	14	905028	22
900646	25	903340	14	905029	22
901120	25	903342	14	905030	22
901150	6;010;017	903343	14	905031	22
901151	6;010;017	903437	5;009;013	905032	22
901181	6;010;017	903439	5	905049	17
901182	6;010;017	903647	25	905050	17
901319	6;010;018	903749	9	905051	17;018
901520	6;010;018	903763	5	905142	13
901650	13	903772	10	905143	13
902394	9	903810	17;018;021	905144	5
902405	10	903823	17;018	905155	9
902407	6	903849	2	905156	9
902408	6;010;018	903850	2;013	905786	5
902409	6;009;010	903873	9	906058	25
902410	6;009;010	903922	17;018;021	906059	25
902465	2;005;010	904016	2;013	906339	2
902675	10	904018	13		
902931	13	904077	5;009;010		
903050	2;013	904216	9;010		
903212	17;018;021	904220	2		
903214	17;018;021	904245	5		
903216	17;018;021	904529	9		
903217	17;018;021	904673	2;009;010		
903232	22	904747	5		
903233	22	904829	13		
903238	22	904879	25		
903241	22	904909	5;006		
903243	22	904910	5		
903245	22	904911	5		
903271	13;014	904961	9		
903273	13	904972	5;009;010		
903279	22	905016	17;018;022		

INDEX

	PAGE
Brake Assembly.....	22
Brakes	
BN1408.....	17
BN1612 [2 wheel].....	18
BN1612 [4 wheel].....	21
Decals.....	25
Front Axle.....	5
Hubs and Spindles	
Front.....	6
Rear.....	9
Master Cylinder.....	14
Paint.....	25
Rear Axle	
BN1408.....	9
BN1612.....	10
Tongue	
Standard.....	2
W/Brakes.....	13
Safety Chain, Highway.....	25

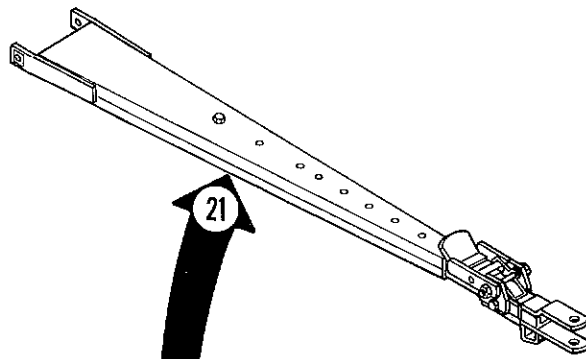
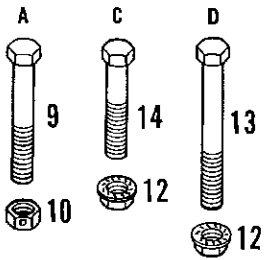
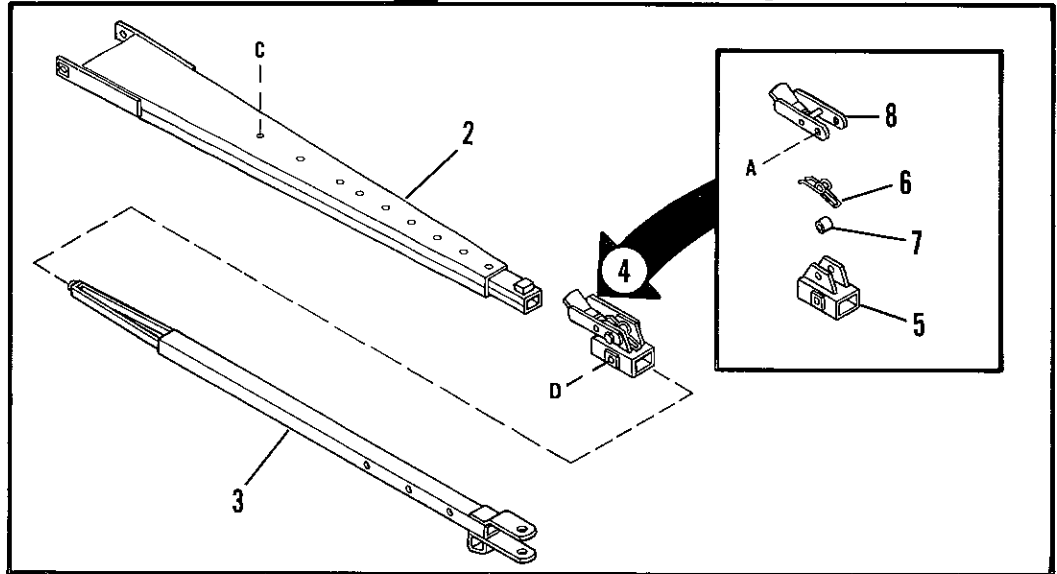
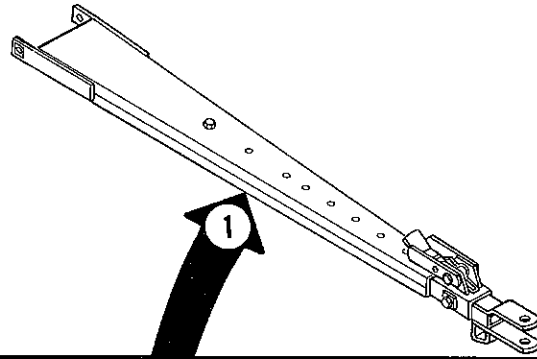
BADGER NORTHLAND INC.
 1215 Hyland Avenue
 Kaukauna, WI 54130

TONGUE

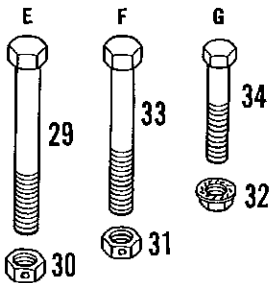
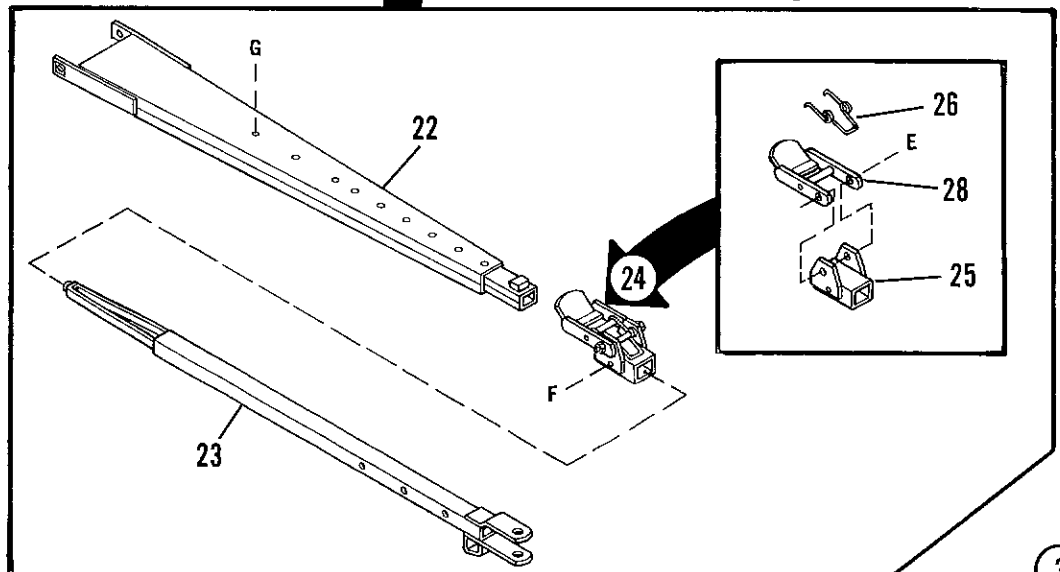
ITEM NO.	PART NO.	DESCRIPTION	QUANTITY
1(A)	319733B91	Tongue Assembly.....	1
2(C)	319739B91	Tongue.....	1
3	319738B91	Extension.....	1
4(B)	319709B91	Latch Assembly.....	1
5(B)	319715B91	Tube.....	1
6	308614B1	Spring.....	1
7	319608B1	Pilot.....	1
8(B)	319658B91	Latch.....	1
9	903850	Bolt [5/8 x 3-3/4 Hex, Gr. 5]..	1
10	903050	Nut [5/8 Hex, Lock].....	1
12	904016	Nut [5/8 Hex, Whiz Lock].....	2
13	904220	Bolt [5/8 x 4-1/2 Hex, Gr. 5].....	1
14	903849	Bolt [5/8 x 3 Hex, Gr. 5].....	1
21	335328B91	Tongue Assembly.....	1
22	335331B91	Tongue.....	1
23	335329B91	Extension.....	1
24	335333B91	Latch Assembly.....	1
25	335335B91	Tube.....	1
26	335326B1	Spring.....	1
28	335334B91	Latch.....	1
29	906339	Bolt [3/4 x 5-1/2 Hex, Gr. 5]..	1
30	902465	Nut [3/4 Hex, Lock].....	1
31	902465	Nut [3/4 Hex, Lock].....	1
32	904016	Nut [5/8 Hex, Whiz Lock].....	1
33	904673	Bolt [3/4 x 4-1/2 Hex, Gr. 5].....	1
34	903849	Bolt [5/8 x 3 Hex, Gr. 5].....	1

- NOTES:
- (A) - Order 335328B91 only.
 - (B) - Order 335333B91 only.
 - (C) - Order 335331B91; 335333B91, or order 335328B91.

TONGUE

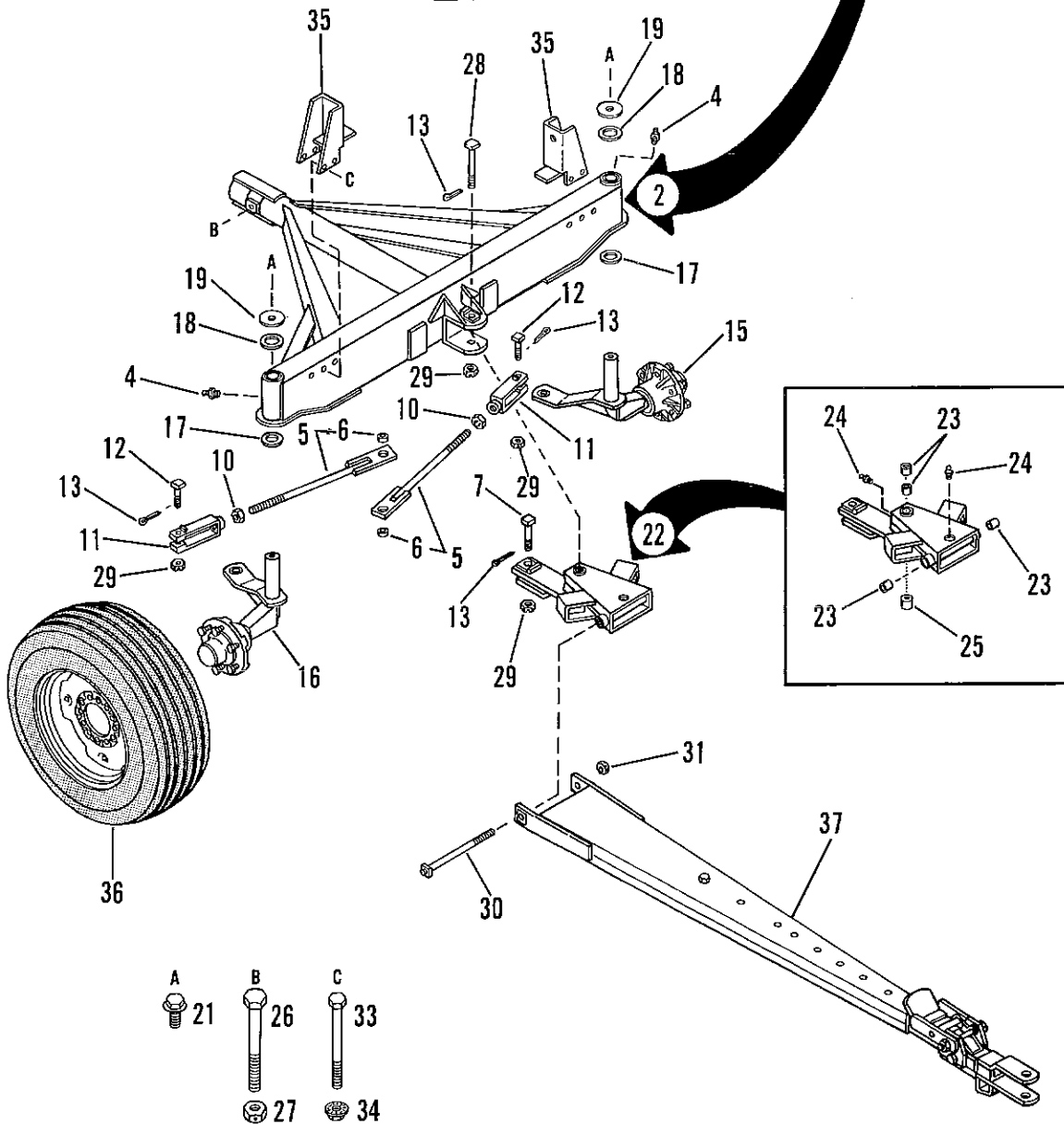
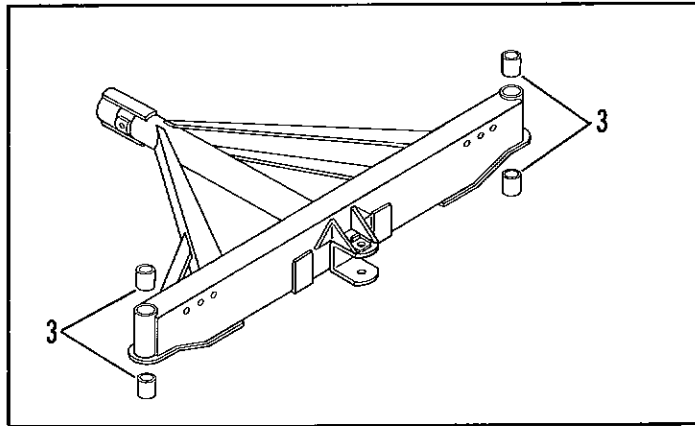


5101-3(J)



FRONT AXLE (BN1408 - BN1612)

5102-3(J)



FRONT AXLE

(BN1408 - BN1612)

ITEM NO.	PART NO.	DESCRIPTION	QUANTITY
1	323567B91	Axle Assembly.....	1
2	322968B91	Axle Sub-Assy.....	1
3	904747	Bearing [2-1/4 Sleeves].....	4
4	900538	Zerk.....	2
5	323011B91	Rod, Tie.....	2
6	904909	Bearing [7/8 Sleeve].....	1
7	322999B1	Bolt [7/8 x 4 N.F.].....	1
10	903763	Nut [7/8 Hex, Jam N.F.].....	2
11	323004B1	Clevis.....	2
12	323000B1	Bolt [7/8 x 3-9/32 N.F.].....	2
13	905786	Pin [5/32 x 1-3/4 Cotter].....	4
15(A)	319698B91	Spindle Assy., Left [See Page 6]....	1
16(A)	319699B91	Spindle Assy., Right [See Page 6]...	1
17	900516	Spacer.....	2
18	319645B1	Washer [2-1/4 Felt].....	2
19	319635B1	Washer, Cap.....	2
21	903439	Bolt [3/8 x 3/4 Hex; Whiz Lock].....	2
22	323020B91	Hitch Assembly.....	1
23	904911	Bearing [7/8 Sleeve].....	4
24	900538	Zerk.....	2
25	904910	Bearing [7/8 Sleeve].....	1
26	904972	Bolt [3/4 x 5 Hex; Gr. 5].....	1
27	902465	Nut [3/4 Hex, Lock].....	1
28	322998B91	Bolt [7/8 x 6-1/2 Hitch, N.F.].....	1
29(B)	904245	Nut [7/8 Castle, N.F.].....	4
30	319616B92	Bolt [7/8 x 10-11/16, N.F.].....	1
31	905144	Nut [7/8 Hex, Lock, N.F.].....	1
33	904077	Bolt [3/8 x 4-1/2 Hex; Gr. 5].....	4
34	903437	Nut [3/8 Hex, Whiz Lock].....	4
35	322964B91	Stake.....	2
36	320767B91	Wheel Assembly [See Page 9].....	2
37	335328B91	Tongue Assembly [See Page 2].....	1

- NOTES: (A) - Part Number shown for reference only.
Order Component piece parts only.
- (B) - Was 905531.

FRONT HUB AND SPINDLES

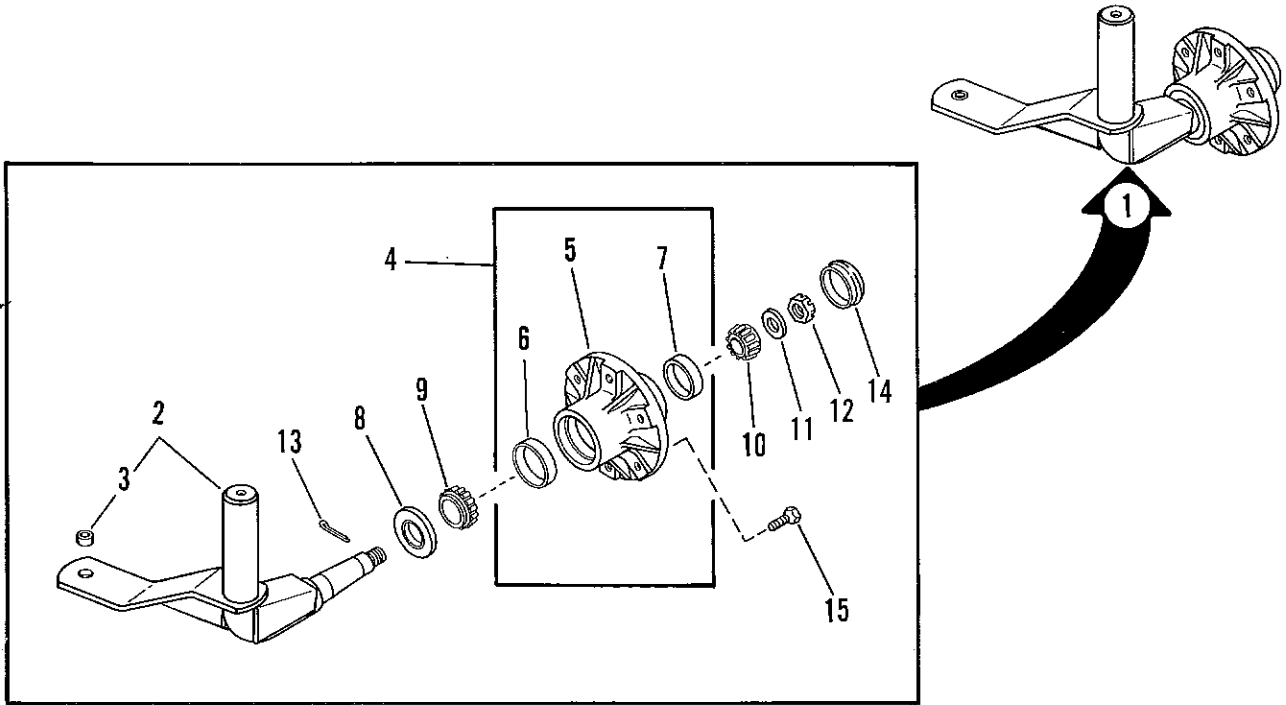
(BN1408 - BN1612)

ITEM NO.	PART NO.	DESCRIPTION	QUANTITY
1(A)	319698B91	Hub and Spindle Assy., Left.....	1
2	323082B91	Spindle Assy.....	1
3	904909	Bearing [7/8 Sleeve].....	1
4	317309B92	Hub Assy.....	1
5	319932B1	Hub [Order 317309B92].....	1
6	901151	Cup, Inner.....	1
7	901182	Cup, Outer.....	1
8	902407	Seal.....	1
9	901150	Bearing, Inner.....	1
10	901181	Bearing, Outer.....	1
11	902408	Washer, Hub.....	1
12	901319	Nut [3/4 Spindle N.F.].....	1
13	901520	Pin [3/16 x 1-1/2 Cotter].....	1
14	902410	Cap, Hub.....	1
15	902409	Bolt [9/16 Lug N.F.].....	6
16(A)	319699B91	Hub and Spindle Assy., Right.....	1
17	323081B91	Spindle Assy.....	1
18	904909	Bearing [7/8 Sleeve].....	1
19	317309B92	Hub Assy. [See Item 4].....	1
20	902407	Seal.....	1
21	901150	Bearing, Inner.....	1
22	901181	Bearing, Outer.....	1
23	902408	Washer, Hub.....	1
24	901319	Nut [3/4 Spindle N.F.].....	1
25	901520	Pin [3/16 x 1-1/2 Cotter].....	1
26	902410	Cap, Hub.....	1
27	902409	Bolt [9/16 Lug N.F.].....	6

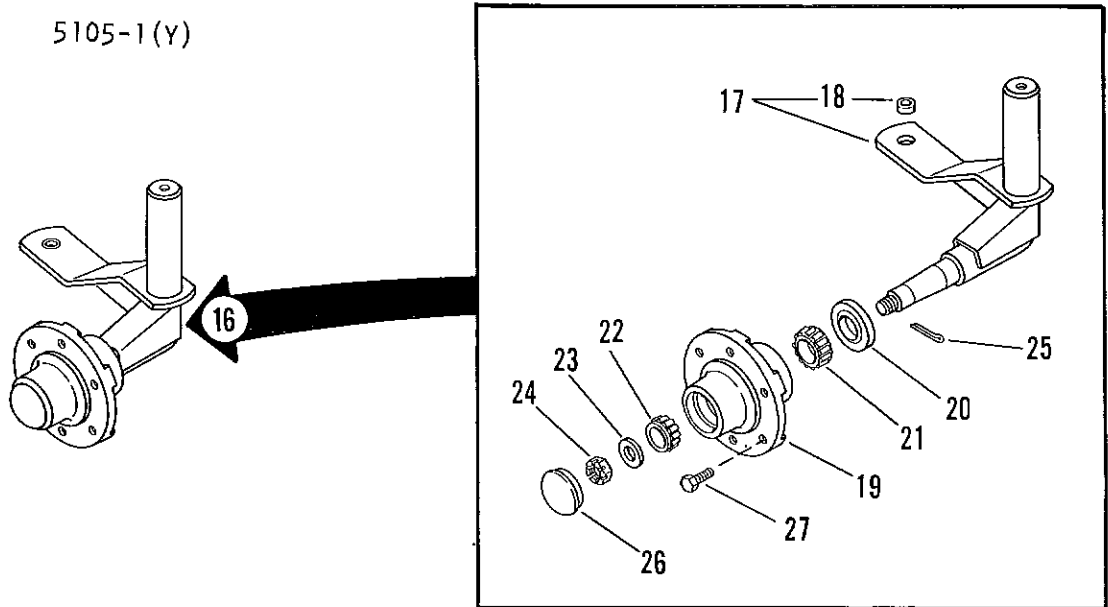
NOTES: (A) - Part Number shown for reference only.
Order component piece parts only.

FRONT HUB AND SPINDLES

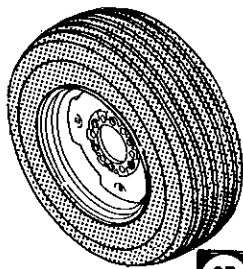
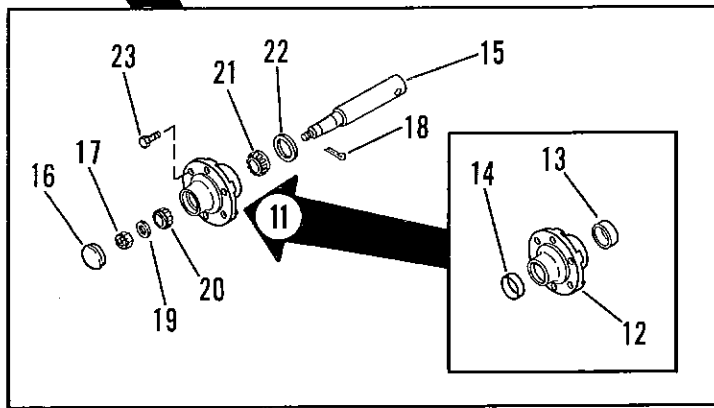
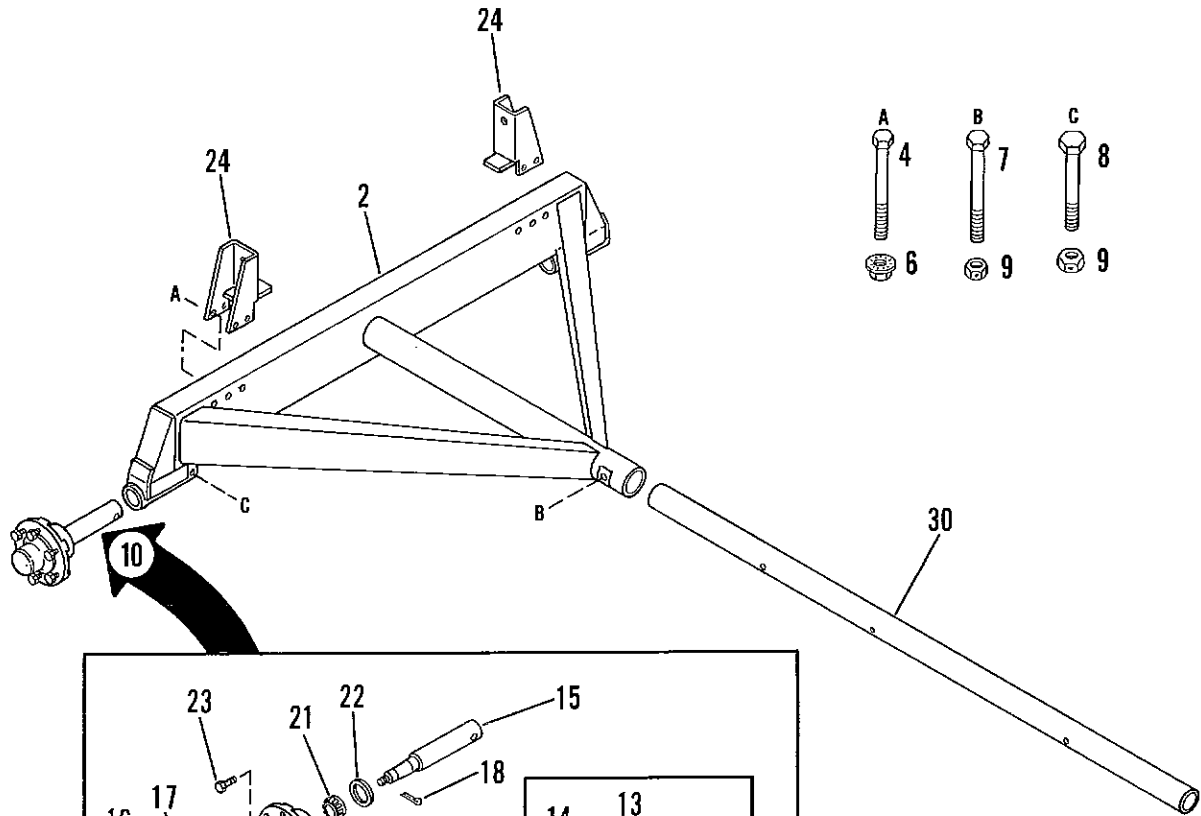
(BN1408 - BN1612)



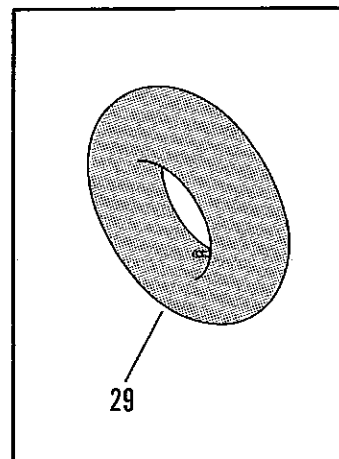
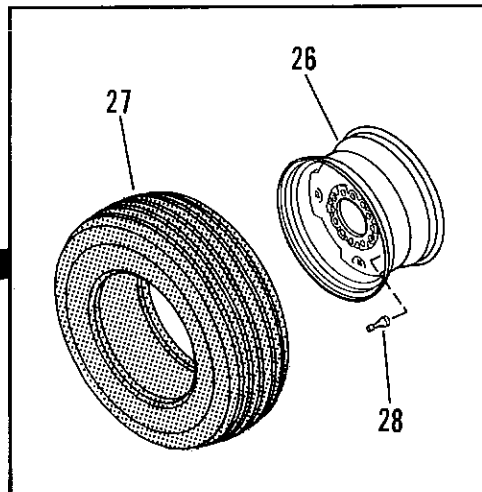
5105-1(Y)



REAR AXLE (BN1408)



25



5103-2(Y)

REAR AXLE

(BN1408)

ITEM NO.	PART NO.	DESCRIPTION	QUANTITY
X	323566B91	Axle Assembly [8 Ton].....	1
2	323143B91	Axle, Sub-Assembly.....	1
3	904673	Bolt [3/4 x 4-1/2 Hex].....	1
4	904077	Bolt [3/8 x 4-1/2 Hex].....	4
5	903437	Nut [3/8 Hex, Whiz Lock].....	4
6	904216	Bolt [3/4 x 4 Hex, Gr. 5].....	2
7	902465	Nut [3/4 Hex, Lock].....	4
8	904972	Bolt [3/4 x 5 Hex, Gr. 5].....	1
10(A)	319700B91	Hub and Spindle Assembly.....	2
11	317309B92	Hub Assembly.....	1
12	319932B1	Hub [Order 317309B92].....	1
13	901151	Cup, Inner.....	1
14	901182	Cup, Outer.....	1
15	902409	Bolt [9/16 Lug N.F.].....	6
16	902410	Cap, Grease.....	1
17	901319	Nut, [3/4 Spindle N.F.].....	1
18	901520	Pin [3/16 x 1-1/2 Cotter].....	1
19	902408	Washer.....	1
20	901181	Bearing, Outer.....	1
21	901150	Bearing, Inner.....	1
22	902407	Seal.....	1
23	319691B2	Spindle.....	1
24	322964B91	Stake.....	2
25	320767B91	Wheel Assembly.....	2
26	902394	Rim [15 x 8 L.B.H.; 1-1/8].....	1
27	903749	Valve.....	1
28	904529	Tire [10.00 x 15; 8 Ply].....	1
25	325027B91	Wheel Assembly.....	2
26	902394	Rim [15 x 8 L.B.H.; 1-1/8].....	1
27	903749	Valve.....	1
28	905155	Tire [10.00 x 15; 10 Ply].....	1
25	325026B91	Wheel Assembly.....	2
26	905156	Rim [15 x 10 L.B.H.; 1-1/8].....	1
27	903749	Valve.....	1
28	904961	Tire [12.5L x 15; 12 Ply].....	1
29	903873	Tube.....	Opt.
30(B)	319682B1	Reach Tube [95-1/4].....	1
30(C)	334480B1	Reach Tube [94].....	1

- NOTES:
- (A) - Part Number shown for reference only.
Order Component piece parts only.
 - (B) - Used with BN950 Forage Box only.
 - (C) - Used with BN1050 Forage Box only.

TANDEM AXLE

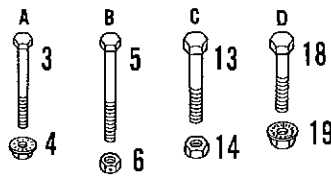
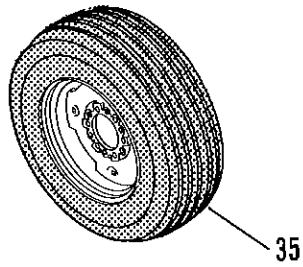
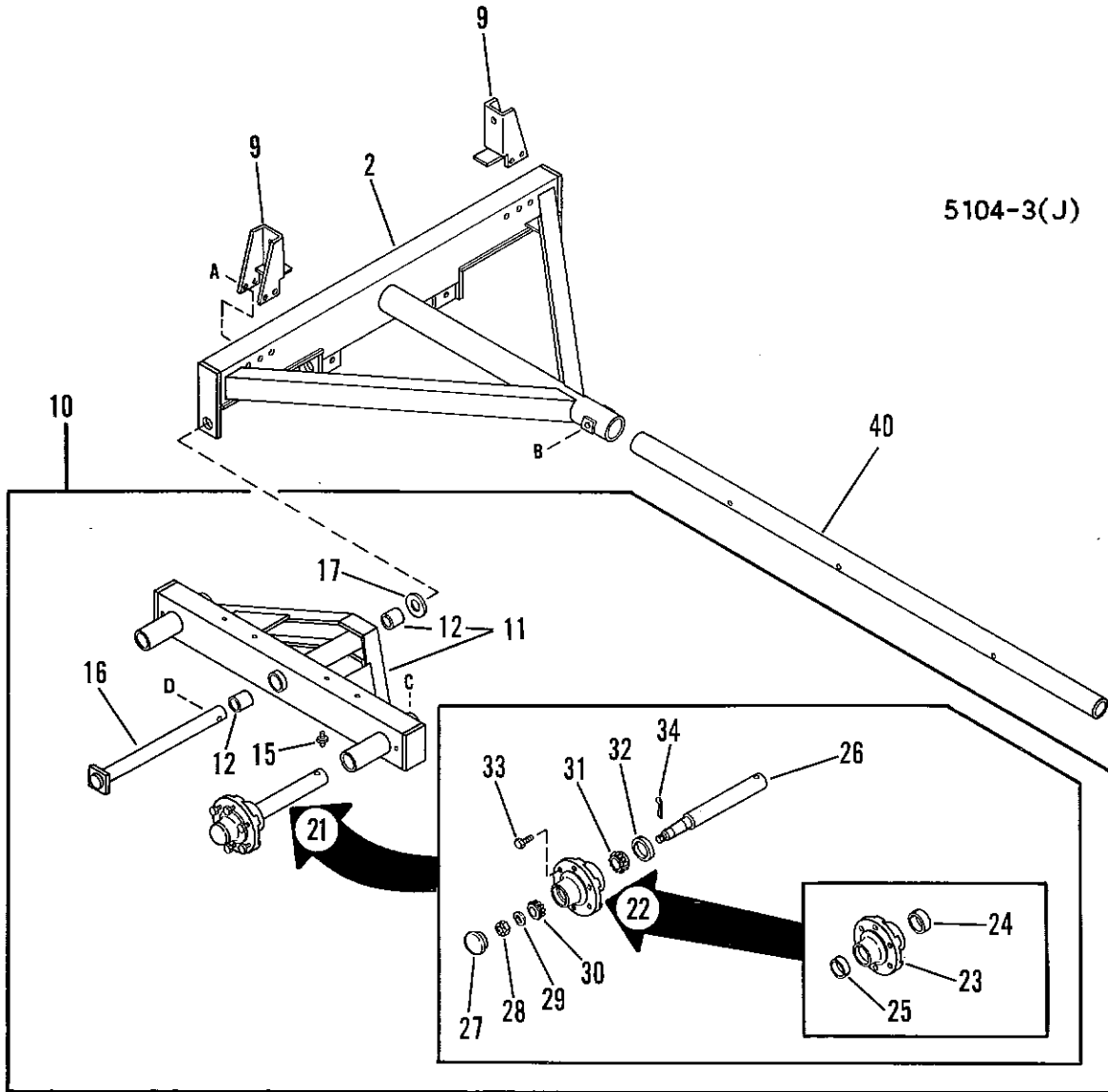
(BN1612)

ITEM NO.	PART NO.	DESCRIPTION	QUANTITY
X	319727B91	Axle Assembly, Rear [12 Ton].....	1
2		Axle [Order 319727B91].....	1
3	904673	Bolt [3/4 x 4-1/2 Hex].....	1
4	904077	Bolt [3/8 x 4-1/2 Hex, Gr. 5].....	4
5	903437	Nut [3/8 Hex, Whiz Lock].....	4
6	904972	Bolt [3/4 x 5 Hex, Gr. 5].....	1
7	902465	Nut [3/4 Hex, Lock].....	2
9	322964B91	Stake.....	2
10	335351B91	Walking Beam Ass'y. [Was 323520B91].....	2
11	335349B91	Tandem Axle Ass'y. [Was 323141B91]..	1
12	900073	Bushing.....	2
13	904216	Bolt [3/4 x 4 Hex, Gr. 5].....	2
14	902465	Nut [3/4 Hex; Lock].....	2
15	900538	Zerk.....	1
16	319639B91	Shaft, Pivot.....	1
17	900515	Spacer.....	1
18	902675	Bolt [1/2 x 3 Hex, Gr. 5].....	1
19	903772	Nut [1/2 Hex, Whiz Lock].....	1
21(A)	319701B91	Hub and Spindle Assembly.....	2
22	317309B92	Hub Assembly.....	1
23	902405	Hub [Order 317309B92].....	1
24	901151	Cup, Inner.....	1
25	901182	Cup, Outer.....	1
26	902409	Bolt [9/16 Lug N.F.].....	6
27	902410	Cap, Grease.....	1
28	901319	Nut [3/4 Spindle].....	1
29	902408	Washer.....	1
30	901181	Bearing, Outer.....	1
31	901150	Bearing, Inner.....	1
32	902407	Seal.....	1
33	319687B2	Spindle.....	1
34	901520	Pin [3/16 x 1-1/2 Cotter].....	1
35	320767B91	Wheel Assembly [See Page 9].....	4
40(B)	319682B1	Reach Tube [95-1/4].....	1
40(C)	334480B1	Reach Tube [94].....	1

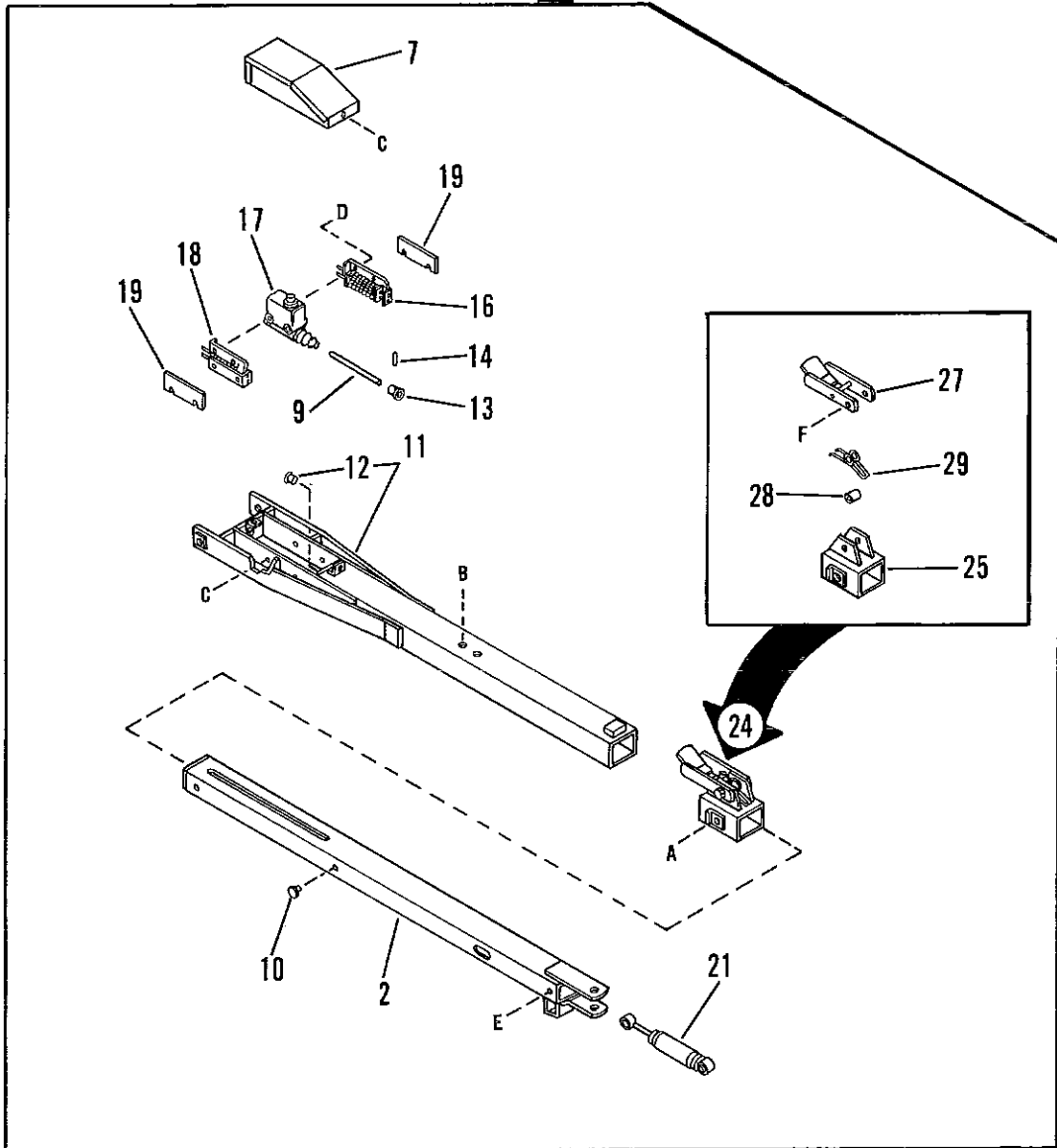
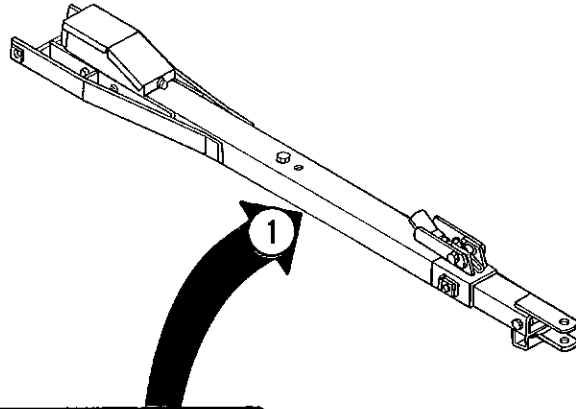
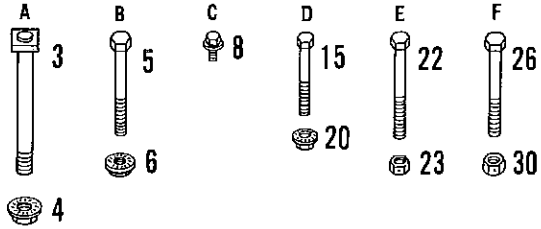
- NOTES: (A) - Part Number shown for reference only.
Order Component piece parts only.
- (B) - Used with BN950 Forage Box only.
- (C) - Used with BN1050 Forage Box only.

TANDEM AXLE (BN1612)

5104-3(J)



TONGUE (W/BRAKES)



5110-1 (Y)

TONGUE (W/BRAKES)

ITEM NO.	PART NO.	DESCRIPTION	QUANTITY
1	324971B91	Tongue Assy.....	1
2	324966B91	Pole.....	1
3	324953B91	Bolt [7/8 x 5-1/2 Sq. Hd.].....	1
4	904018	Nut [7/8 Hex; Whiz Lock].....	1
5	903850	Bolt [5/8 x 3-3/4 Hex, Gr. 5].....	1
6	904016	Nut [5/8 Hex; Whiz Lock].....	1
7	324961B91	Cover.....	1
8	904829	Bolt [5/16 x 1/2 Hex; Whiz Lock]....	6
9	324949B1	Plunger.....	1
10(A)	324972B1	Bearing.....	4
11	324970B91	Tongue.....	1
12	905143	Bearing [7/16 Sleeve].....	1
13	324950B1	Retainer.....	1
14	905142	Pin [5/32 x 3/4 Spring].....	1
15	902831	Bolt [3/8 x 3 Hex; Gr. 5].....	2
16	903281	Bracket, Left.....	1
17	903271	Master Cylinder [See Page 14].....	1
18	903280	Bracket, Right.....	1
19	324954B1	Spacer.....	2
20	903437	Nut [3/8 Hex; Whiz Lock].....	2
21	903273	Shock Absorber.....	1
22	902931	Bolt [1/2 x 4 Hex, Gr. 5].....	1
23	901650	Nut [1/2 Hex; Lock].....	1
24	324964B91	Latch Assy.....	1
25	324957B91	Tube.....	1
26	903850	Bolt [5/8 x 3-3/4 Hex, Gr. 5]..	1
27	319658B91	Latch.....	1
28	319608B1	Pilot.....	1
29	308614B1	Spring.....	1
30	903050	Nut [5/8 Hex; Lock].....	1

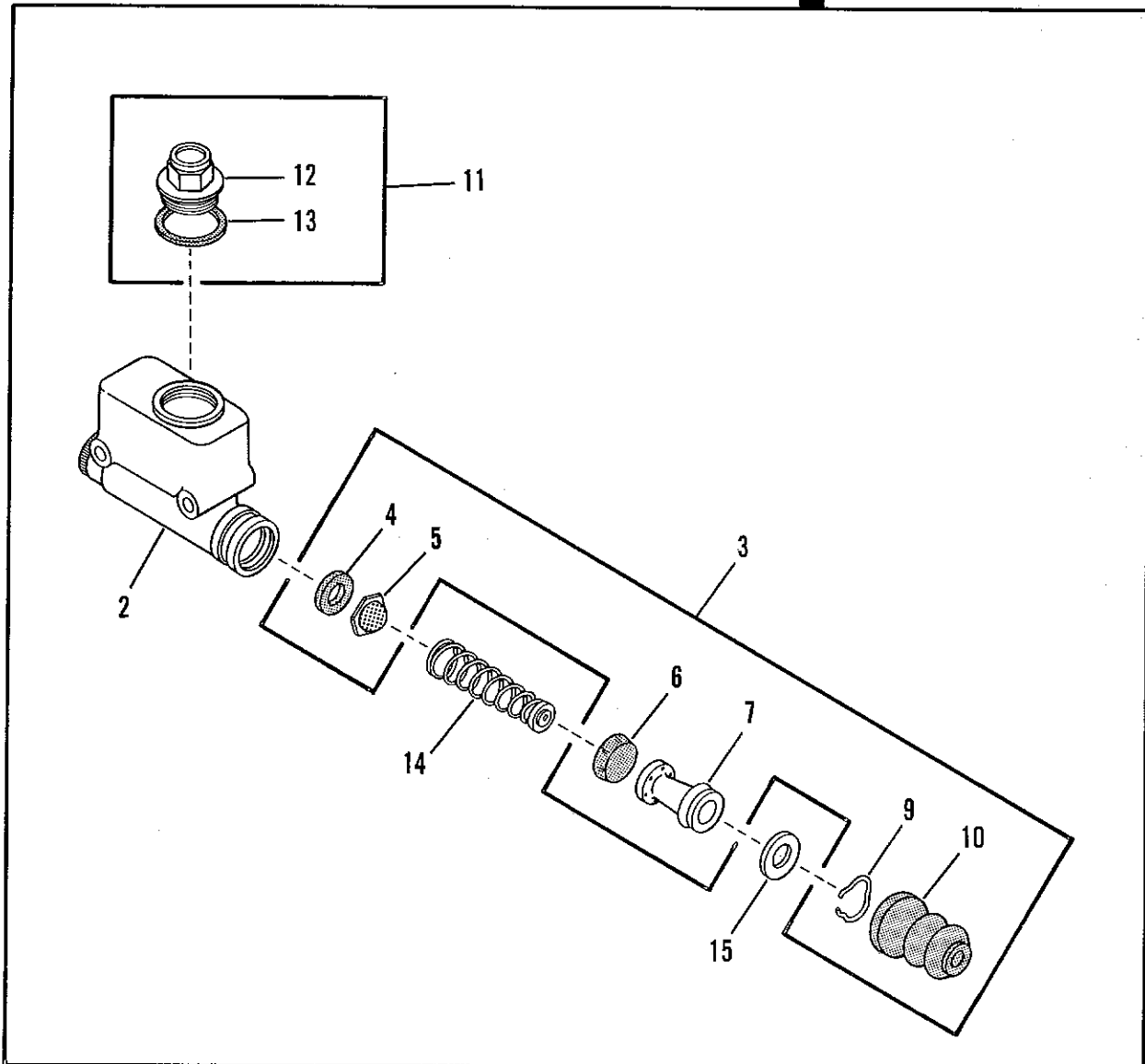
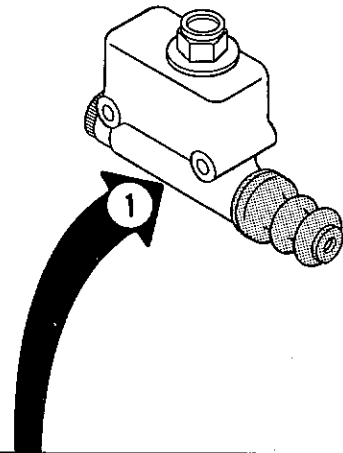
NOTES: (A) - Quantity may only be 2 on some units.

MASTER CYLINDER

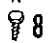






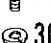
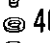
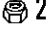

ITEM NO.	PART NO.	DESCRIPTION	QUANTITY
1	903271	Master Cylinder Assembly.....	1
2	903337	Housing.....	1
3	903336	Repair Kit.....	1
4		Seal, Rear.....	1
5		Screen.....	1
6		Cup, Primary [FD-344].....	1
7		Piston [FC-1550].....	1
9	903339	Retainer [FC-929].....	1
10	903340	Boot [FC-927].....	1
11		Cap Assembly.....	1
12	903342	Cap.....	1
13	903343	Gasket.....	1
14		Spring.....	1
15	903338	Washer, Special.....	1

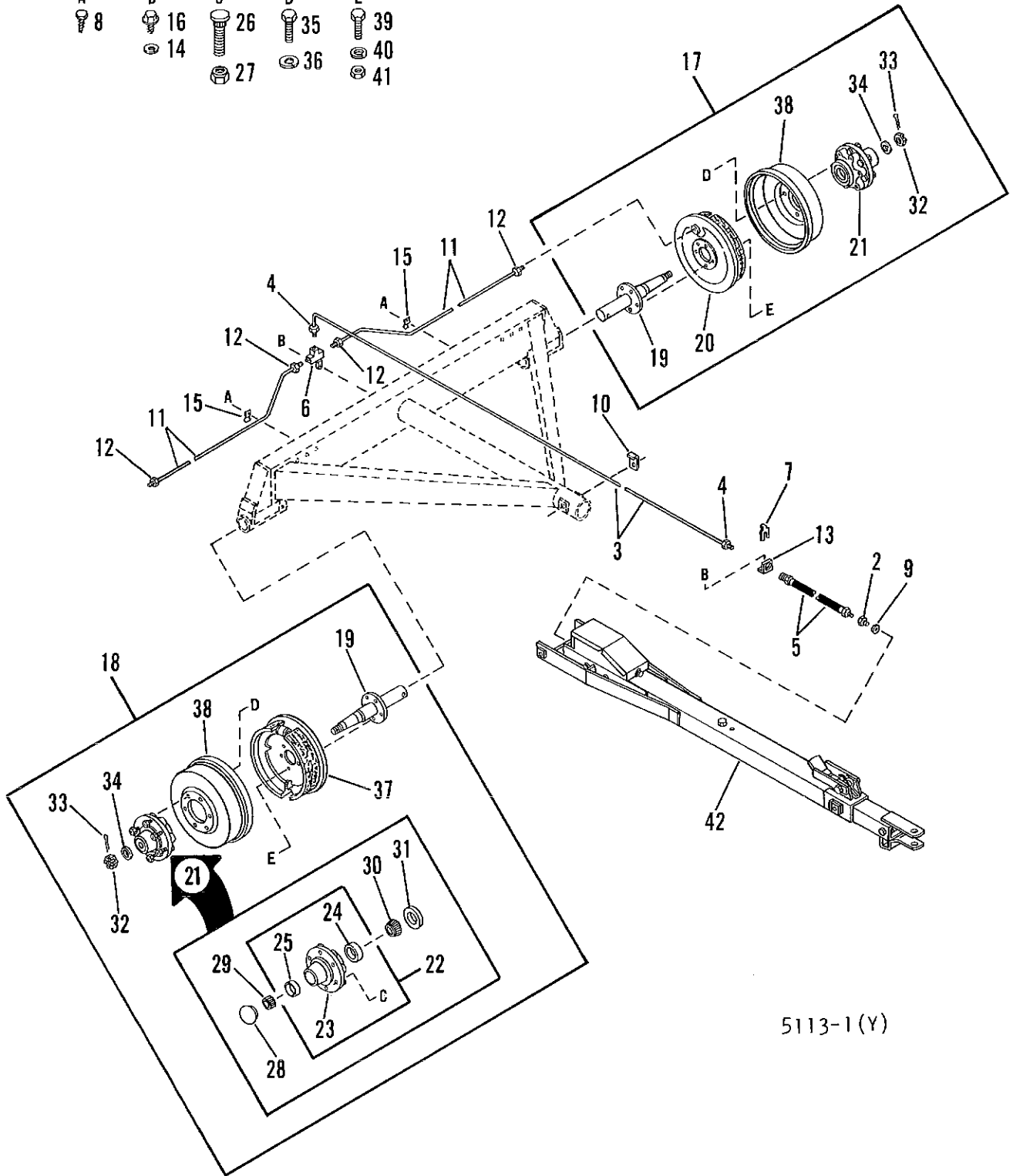
MASTER CYLINDER

5111-2(J)



BN1408 BRAKES

- | | | | | |
|---|---|---|---|---|
| A | B | C | D | E |
|  |  |  |  |  |
| |  |  |  |  |
| | |  |  | |



5113-1(Y)

BN1408 BRAKES

ITEM NO.	PART NO.	DESCRIPTION	QUANTITY
X	32143	Brake Pack.....	1 1
2	903216	Connector.....	1 1
3	324887B91	Line Assy. [3/16 x 144].....	1 1
4	903217	Nut, Tube.....	2 2
5	324890B1	Hose [21" - 3/8 N.F.].....	1 1
6	323820B1	Tee.....	1 1
7	325060B1	Clamp.....	1 1
8	903810	Screw [#10 Self Tap].....	2 2
9	903212	Gasket.....	1 1
10	325058B1	Clip.....	1 1
11	314702B91	Line, Assy. [3/16" x 38"].....	2 2
12	903217	Nut, Tube.....	2 2
13	323678B1	Bracket.....	1 1
14	900503	Washer [5/16 Lock].....	2 2
15	903214	Clip.....	2 2
16	903922	Screw [5/16 x 5/8 Self Tap].....	2 2
17	324974B91	Hub and Brake Assy., Left.....	1 -
18	324975B91	Hub and Brake Assy., Right.....	- 1
19	324968B91	Spindle.....	1 1
20	905016	Brake Assy., Left [See Page 22]	1 -
21	323850B91	Hub Assembly.....	1 1
22	323693B91	Hub, Sub-Assembly.....	1 1
23		Hub.....	1 1
24	901151	Cup, Inner.....	1 1
25	901182	Cup, Outer.....	1 1
26	905049	Stud [9/16 N.F.]... ..	6 6
27	905050	Nut [9/16 Lug].....	6 6
28	902410	Cap, Grease.....	1 1
29	901181	Bearing, Outer.....	1 1
30	901150	Bearing, Inner.....	1 1
31	902407	Seal.....	1 1
32	901319	Nut [3/4 Castle].....	1 1
33	901520	Pin [3/16 x 1-1/2 Cotter].....	1 1
34	902408	Washer.....	1 1
35	903292	Bolt [1/2 x 1-20 Hex, Gr. 5]..	6 6
36	900506	Washer [1/2 Lock].....	6 6
37	905017	Brake Assy, Right [See Page 22]	- 1
38	323849B1	Drum [2-3/4 x 13].....	1 1
39	905051	Bolt [3/8 x 1 Hex; N.F., Gr. 5]	5 5
40	900504	Washer [3/8 Lock].....	5 5
41	903823	Nut [3/8 Hex, N.F.].....	5 5
42	324971B91	Tongue Assy. [See Page 13].....	1 1

BN1612 BRAKES

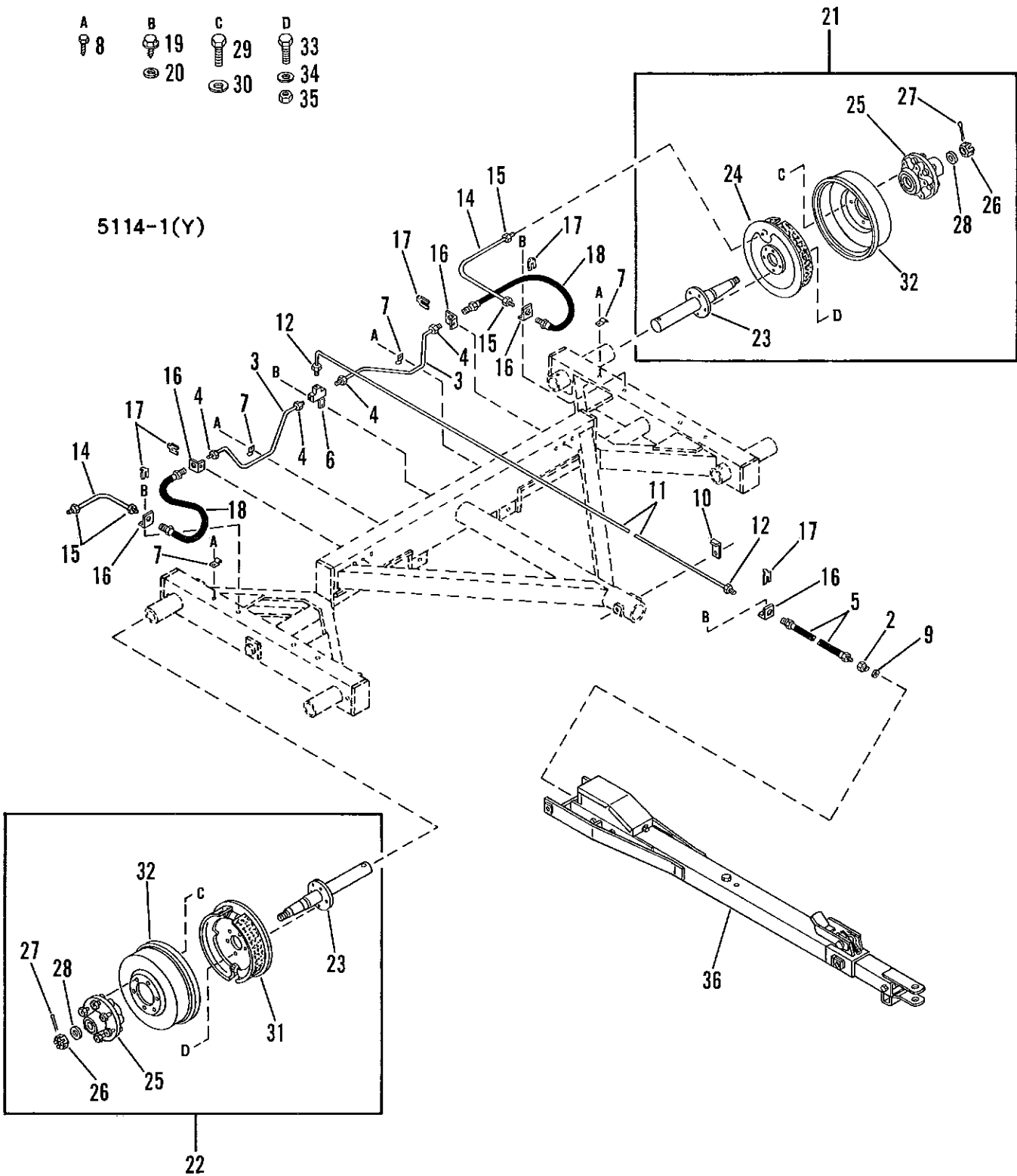
(2 WHEEL)

ITEM NO.	PART NO.	DESCRIPTION	QUANTITY
X	32144	Brake Pack.....	1 1
2	903216	Connector.....	1 1
3	325057B91	Line Assy. [30" lg.].....	2 2
4	903217	Nut, Tube.....	2 2
5	324890B1	Hose [21" M/F].....	1 1
6	323820B1	Tee.....	1 1
7	903214	Clip.....	4 4
8	903810	Screw [#10 Self Tap].....	4 4
9	903212	Gasket.....	1 1
10	325058B1	Clip.....	1 1
11	324887B91	Line Assy. [12'].....	1 1
12	903217	Nut, Tube.....	2 2
14	323687B91	Line Assy. [3/16 x 17"].....	2 2
15	903217	Nut, Tube.....	2 2
16	323678B1	Bracket.....	5 5
17	325060B1	Hose, Clamp.....	5 5
18	323691B1	Hose [13" F/F].....	2 2
19	903922	Screw [5/16 x 5/8 Self Tap].....	4 4
20	900503	Washer [5/16 Lock].....	4 4
21	324981B91	Hub and Brake Assy., Left.....	1 -
22	324982B91	Hub and Brake Assy., Right.....	- 1
23	324967B91	Spindle.....	1 1
24	905016	Brake Assy., Left [See Page 22]	1 -
25	323850B91	Hub Assy. [See Page 33].....	1 1
26	901319	Nut [3/4 Castle].....	1 1
27	901520	Pin [3/16 x 1-1/2 Cotter].....	1 1
28	902408	Washer.....	1 1
29	903292	Bolt [1/2 x 1-20 Hex, Gr. 5]..	10 10
30	900506	Washer [1/2 Lock].....	10 10
31	905017	Brake Assy., Rt. [See Page 22]	1 -
32	323849B1	Drum [2 x 12].....	1 1
33	905051	Bolt [3/8 x 1 Hex; N.F., Gr. 5]	5 5
34	900504	Washer [3/8 Lock].....	5 5
35	903823	Nut [3/8 Hex, N.F.].....	5 5
36	324971B91	Tongue Assy. [See Page 13].....	1 1

BN1612 BRAKES (2 WHEEL)

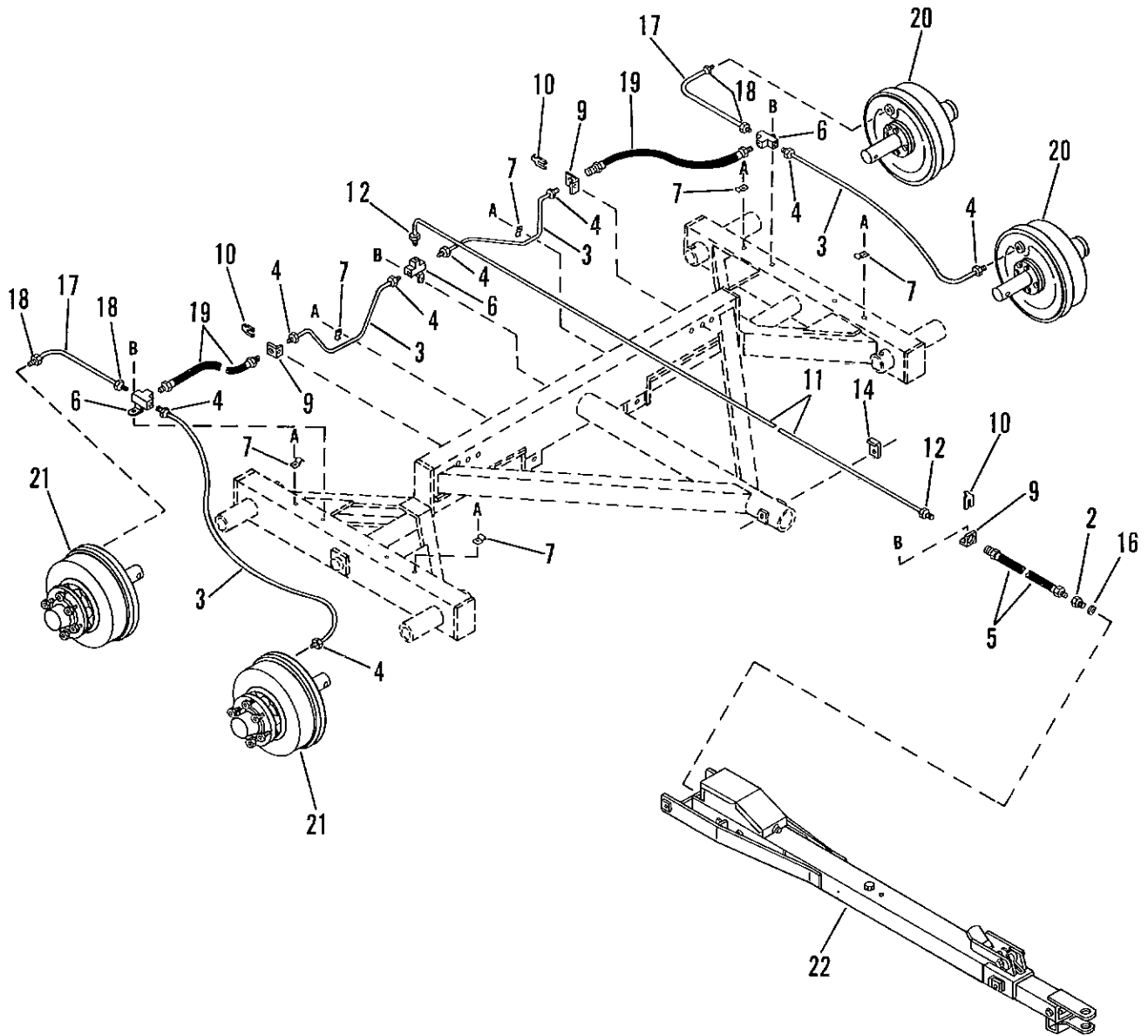
- | | | | |
|---|----|----|----|
| A | B | C | D |
| 8 | 19 | 29 | 33 |
| | 20 | 30 | 34 |
| | | | 35 |

5114-1(Y)



BN1612 BRAKES (4 WHEEL)

- A  8
- B  13
-  15



5115-1(Y)

BN1612 BRAKES

(4 WHEEL)

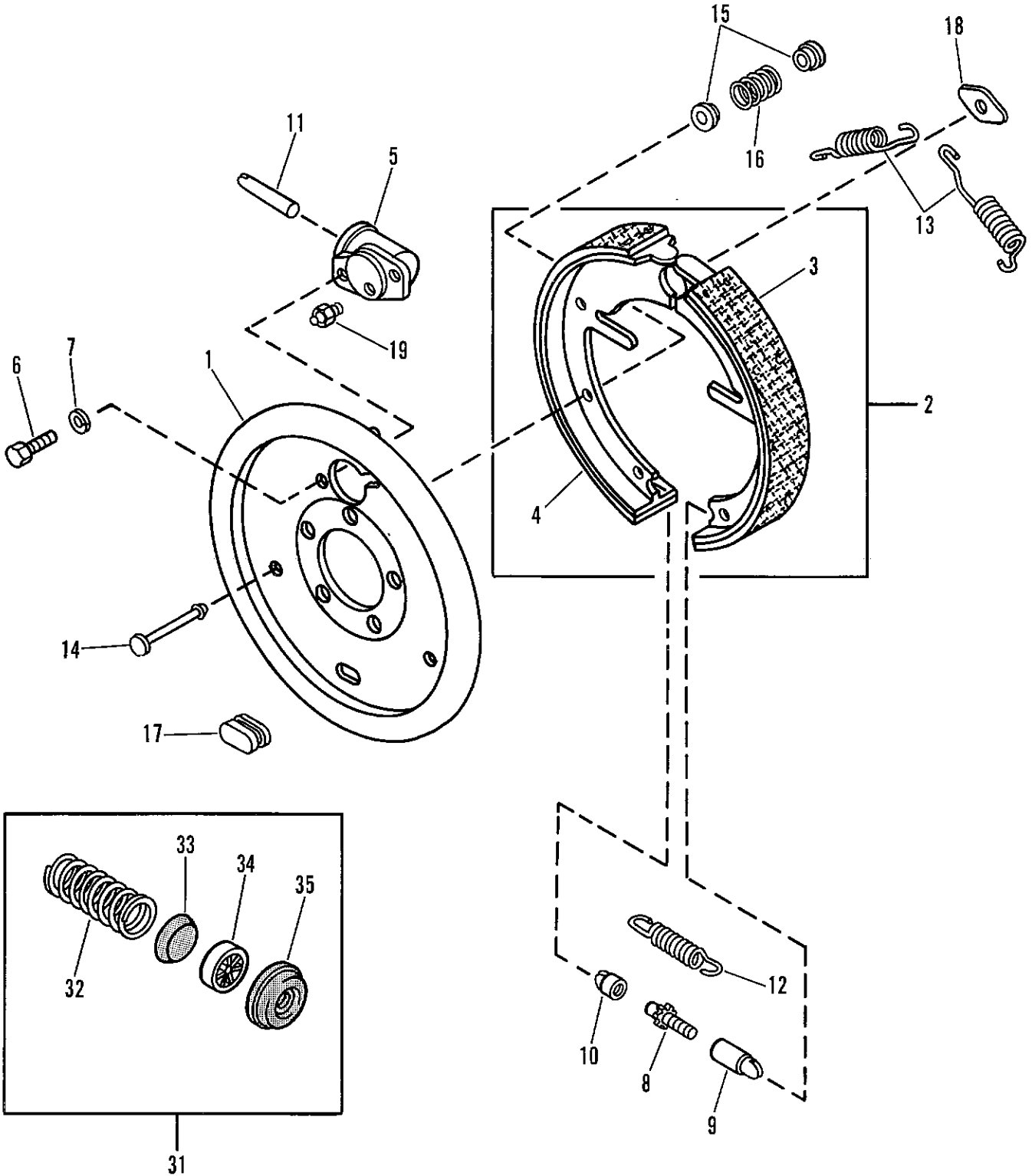
ITEM NO.	PART NO.	DESCRIPTION	QUANTITY
X	32145	Brake Pack.....	1
2	903216	Connector.....	1
3	325057B91	Line Assy. [30].....	4
4	903217	Nut, Tube.....	2
5	324890B1	Hose [21 M/F].....	1
6	323820B1	Tee.....	3
7	903214	Clip.....	6
8	903810	Screw [#10 Self Tap].....	6
9	323678B1	Bracket.....	3
10	325060B1	Clamp.....	3
11	324887B91	Line Assy. [3/16 x 144].....	1
12	903217	Nut, Tube.....	2
13	903922	Screw [5/16 x 5/8 Self Tap].....	4
14	325058B1	Clip.....	1
15	900503	Washer [5/16 Lock].....	4
16	903212	Gasket.....	1
17	323687B91	Line [3/16 x 17].....	2
18	903217	Nut, Tube.....	2
19	323688B1	Hose [13 M/F].....	2
20	324981B91	Hub & Brake Assy., Left [See Page 18]	2
21	324982B91	Hub & Brake Assy., Rt. [See Page 18]	2
22	324971B91	Tongue Assy. [See Page 13].....	1

BRAKE ASSEMBLY

ITEM NO.	PART NO.	DESCRIPTION	QUANTITY
X	905017	Brake Assembly, Right.....	1 -
X	905016	Brake Assembly, Left.....	- 1
1	905020	Plate, Back, Right.....	1 -
1	905021	Plate, Back, Left.....	- 1
2	905018	Shoe Set.....	1 1
3(A)		Shoe, Front.....	1 1
4(A)		Shoe, Rear.....	1 1
5(B)	903232	Cylinder, Wheel, Assy., Right.....	1 -
5(B)	903233	Cylinder, Wheel, Assy., Left.....	- 1
6	903279	Bolt [5/15 x 1/2 Hex; Gr. 5].....	2 2
7	900503	Washer [5/16 Lock].....	2 2
8	905030	Screw, Special.....	1 1
9	905029	Nut, Pivot.....	1 1
10	905031	Socket, Screw.....	1 1
11	903238	Rod, Push.....	1 1
12	905028	Spring [Red].....	1 1
13	903241	Spring [Orange].....	2 2
14	905022	Pin.....	2 2
15	903243	Cup.....	4 4
16	903245	Spring [Black].....	2 2
17	905032	Cover.....	1 1
18	905023	Link.....	1 1
19	905024	Bleeder.....	1 1
31	903334	Cylinder Repair Kit.....	1 1
32(C)		Spring.....	1 1
33(C)		Cup.....	1 1
34(C)		Piston.....	1 1
35(C)		Boot.....	1 1

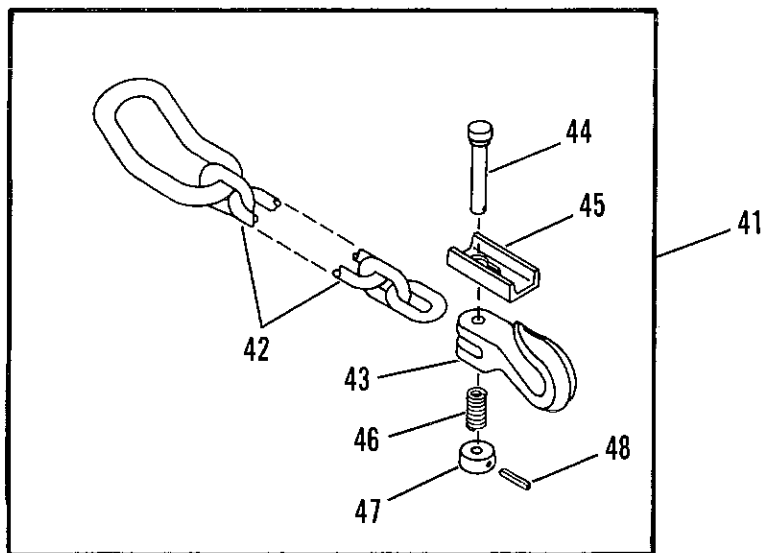
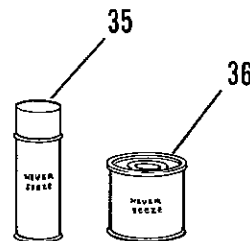
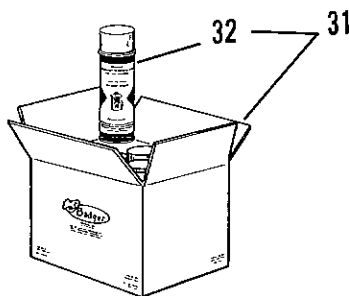
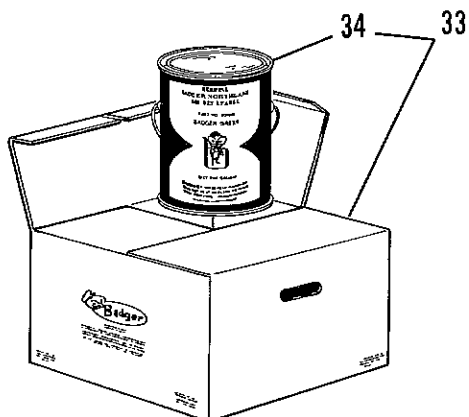
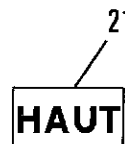
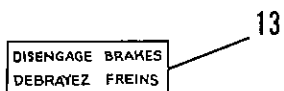
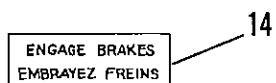
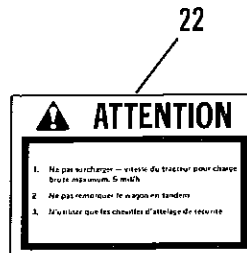
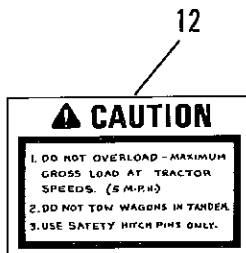
- NOTES:
- (A) - Order Shoe Set. Replace front and rear shoes at the same time.
 - (B) - See Item 41 for Repair Kit.
 - (C) - Shown for reference only.

BRAKE ASSEMBLY



5112-1(Y)

DECALS—PAINT—HIGHWAY SAFETY CHAIN



5106-1(J)

DECALS

ITEM NO.	PART NO.	DESCRIPTION	QUANTITY
1	325061B1	Stripe [13/16 x 15].....	1
2	304296B1	Logo [7"].....	X
11	315089B2	Top/Haut.....	2
12	325391B1	Caution.....	1
13	324889B1	Disengage Brakes.....	1
14	324888B1	Engage Brakes.....	1

QUEBEC DECALS

21	320588B1	Haut [Order 315089B2].....	2
22	325392B1	Attention.....	1

PAINT

31	32215	Case of Paint, Green.....	X
32	900280	Enamel, Green [13 oz. Spray Can]....	12
31	32216	Case of Paint, Yellow.....	X
32	901120	Enamel, Yellow [13 oz. Spray Can]...	12
31	32933	Case of Paint, Black.....	X
32	906059	Enamel, Black [13 oz. Spray Can]....	12
33	32213	Case of Paint, Green.....	X
34	900646	Enamel, Green [U.S. Gallon].....	4
33	32032	Case of Paint, Black.....	X
34	906058	Enamel, Black [U.S. Gallon].....	4
35	319919B1	Never Seez [16 oz. Spray can].....	X
36	320214B1	Never Seez [16 oz. Brush can].....	X

HIGHWAY SAFETY CHAIN

41	322580B91	Chain, Highway Safety.....	Opt.
42	322582B91	Chain [43 Links].....	1
43	904879	Hook.....	1
44	322581B1	Pin, Special.....	1
45	322579B1	Latch.....	1
46	322578B1	Spring.....	1
47	322577B1	Retainer, Spring.....	1
48	903647	Pin [1/8 x 13/16 Spring].....	1

